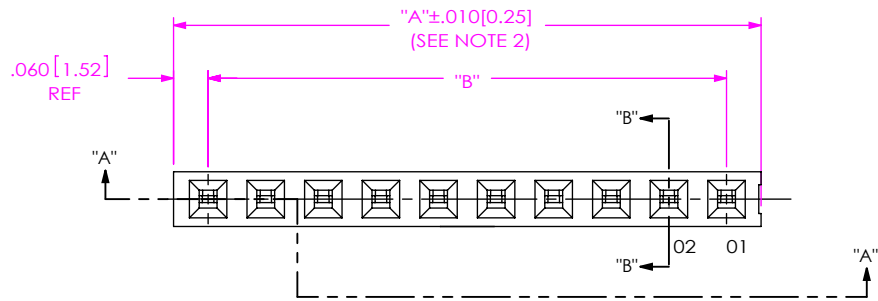


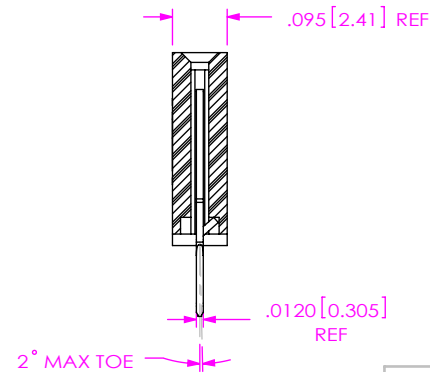
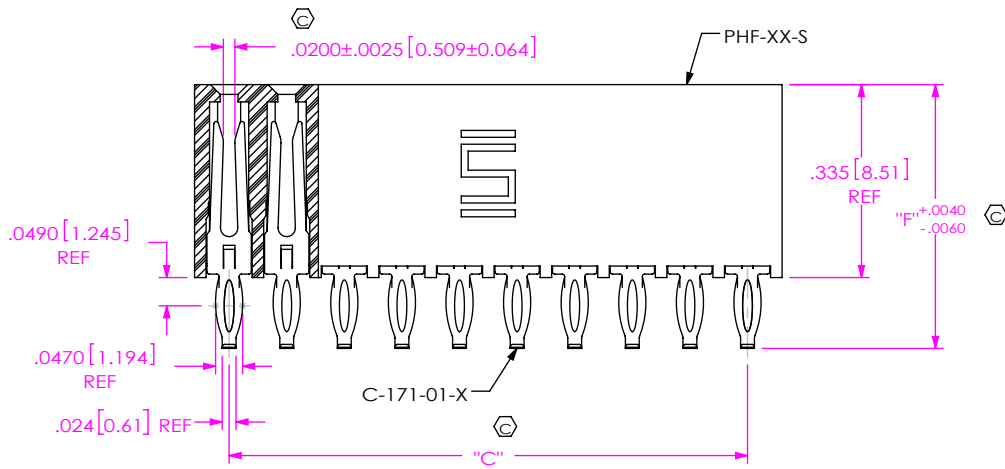
DO NOT SCALE FROM THIS PRINT

DESIGNED & DIMENSIONED IN INCHES[MILLIMETERS]

PHF-1XX-XX-X-X-XXX



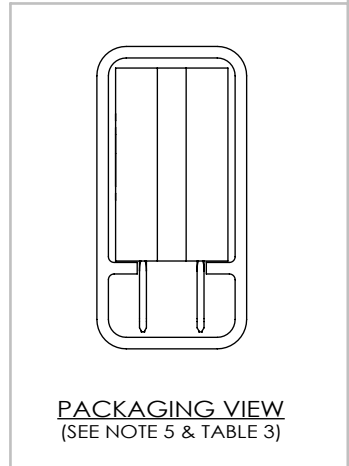
- No OF POSITIONS**  
 -01 (SINGLE ROW ONLY)  
 -02 THRU -50 (PER ROW)
- LEAD STYLE**  
 -01: (USE C-171-01-X)  
 -02: (USE C-171-02-X)  
 -03: (USE C-171-03-X)  
 -04: (USE C-171-04-X)
- PLATING SPECIFICATION**  
 -S: SELECTIVE, .000030 GOLD ON POST, TIN ON TAIL  
 -L: SELECTIVE, .000010 GOLD ON POST, TIN ON TAIL
- POLARIZATION OPTION**  
 -XXX INDICATES POSITION (USE PK-06-N)
- ROW SPECIFICATION**  
 -S: SINGLE  
 -D: DOUBLE



SECTION "A"-"A"

SECTION "B"-"B"

FIG 1 (PHF-1XX-01-X-S SHOWN)



LEAD STYLE	"E"	"F"
-01	N/A	.4580 [11.633]
-02	.4350 [11.049]	.5580 [14.173]
-03	.5350 [13.589]	.6580 [16.713]
-04	.6350 [16.129]	.7580 [19.253]

LEAD STYLE	ROW SPEC.	TUBE	PLUG
-01	-S	PT-1-24-01-24	TP-24
	-D	PT-1-24-01-22	TP-03
-02	-S	PT-1-24-01-46	TP-24
	-D	PT-1-24-06-29	TP-03
-03	-S	PT-1-24-10-03	TP-24
	-D	PT-1-24-07T-109	TP-29
-04	-S	PT-1-24-10-03	TP-24
	-D	PT-1-24-01-71	TP-03

NOTES:

- ⊕ REPRESENTS A CRITICAL DIMENSION.
- MAXIMUM CUT FLASH: .020 [0.51].
- MINIMUM CONTACT RETENTION: .5 LB PER PIN.
- PARTS MAY BE CUT TO POS. ONE POS LOST PER CUT.
- BULK PACKAGED TO BE USED FOR 4 POSITION AND BELOW, TUBE TO BE USED FOR 5 POSITION AND ABOVE.
- MAX ALLOWABLE BOW .002[0.05] INCH/INCH AFTER ASSEMBLY.
- PHF BODY IS NOT TO BE MORE THAN +/- .01 [0.25] FROM PLANE SET BY PHF BODY.

UNLESS OTHERWISE SPECIFIED, DIMENSIONS ARE IN INCHES [MILLIMETERS]. TOLERANCES ARE:  
 DECIMALS ANGLES  
 .XX:  $\pm .01$  [ .3]  $2^\circ$   
 .XXX:  $\pm .005$  [ .13]  
 .XXXX:  $\pm .0020$  [ .051]

**PROPRIETARY NOTE**  
 THIS DOCUMENT CONTAINS INFORMATION CONFIDENTIAL AND PROPRIETARY TO SAMTEC, INC. AND SHALL NOT BE REPRODUCED OR TRANSFERRED TO OTHER DOCUMENTS OR DISCLOSED TO OTHERS OR USED FOR ANY PURPOSE OTHER THAN THAT WHICH IT WAS OBTAINED WITHOUT THE EXPRESSED WRITTEN CONSENT OF SAMTEC, INC.

**samtec**  
 520 PARK EAST BLVD, NEW ALBANY, IN 47150  
 PHONE: 812-944-6733 FAX: 812-948-5047  
 e-Mail: info@SAMTEC.com code 55322

DESCRIPTION:  
 .100 PRESS FIT SOCKET ASSEMBLY

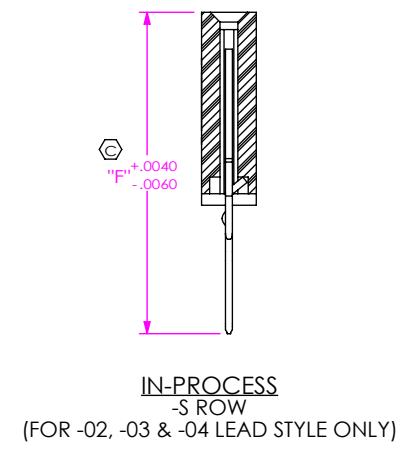
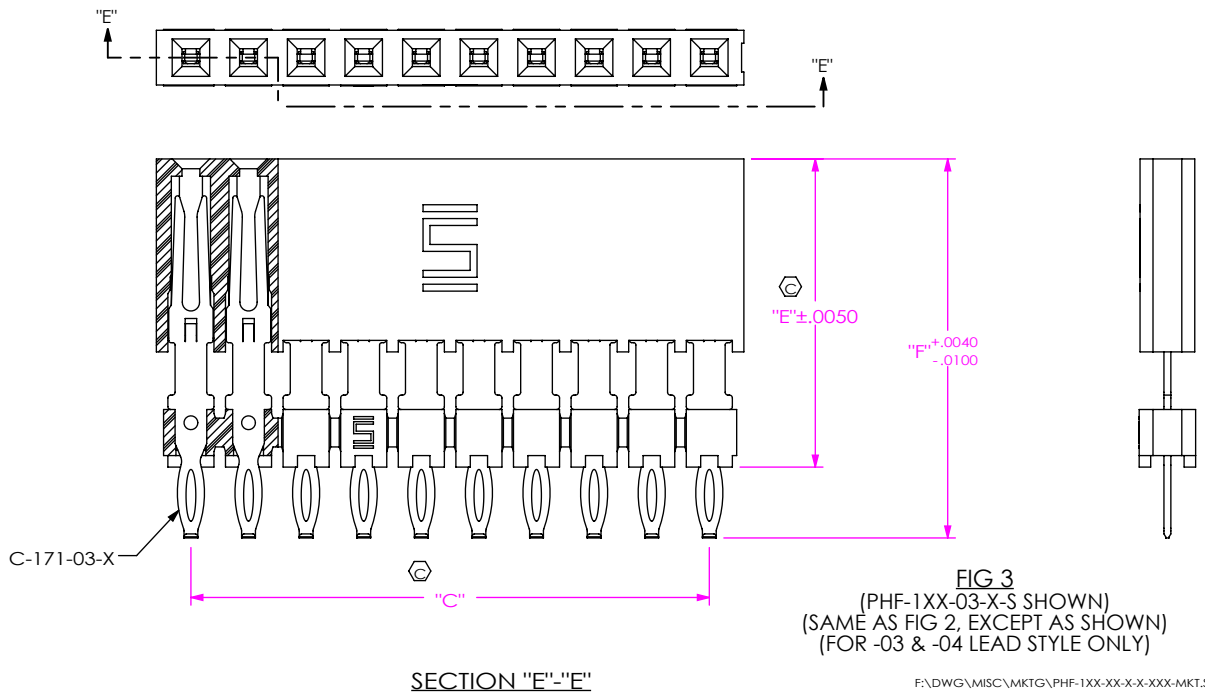
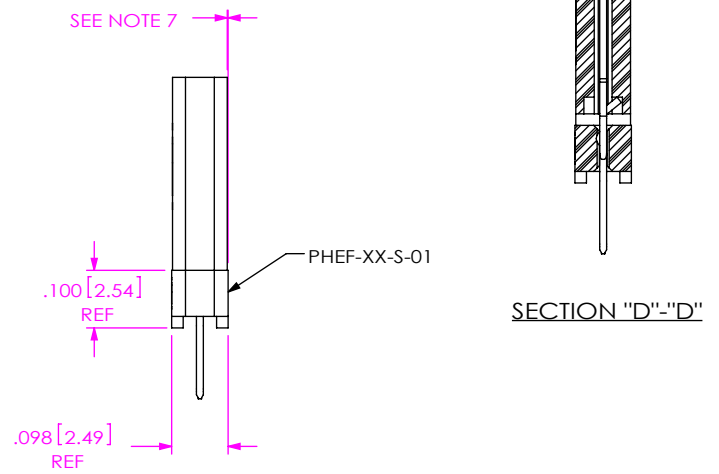
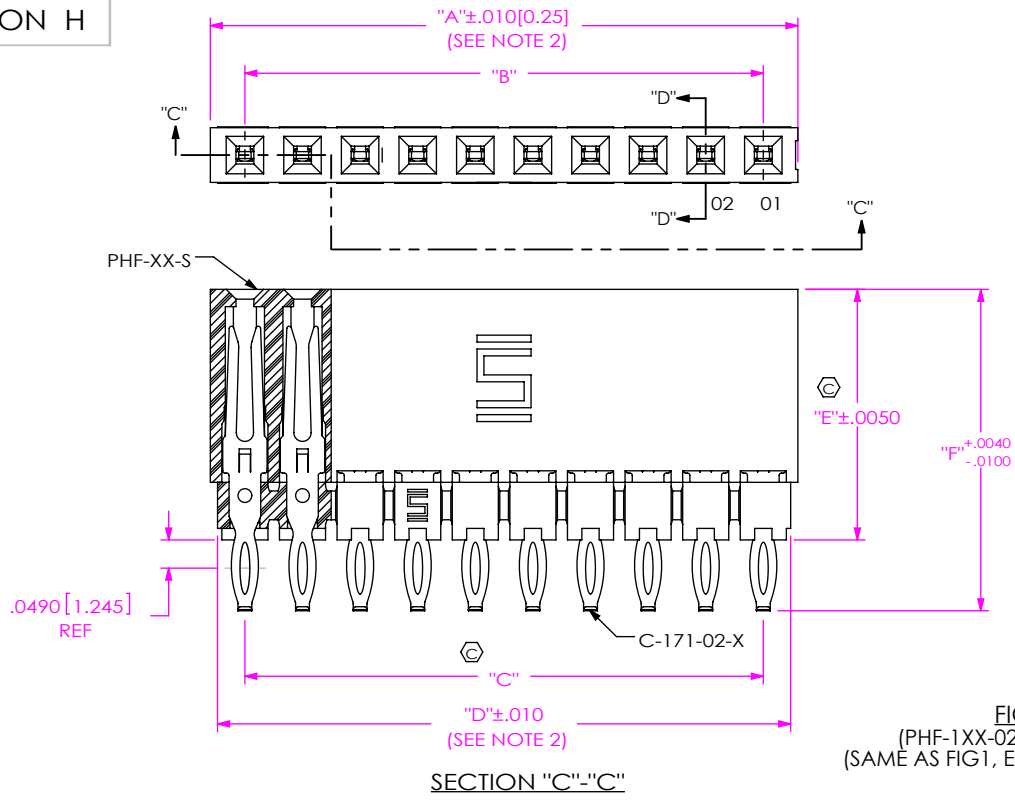
DWG. NO.  
**PHF-1XX-XX-X-X-XXX**

BY: ROY LUO 9/3/2009 SHEET 1 OF 4

MATERIAL: DO NOT SCALE DRAWING SHEET SCALE: 3:1

INSULATOR: LCP, UL 94 VO  
 COLOR: BLACK  
 CONTACT: PHOS BRONZE

F:\DWG\MISC\MKTG\PHF-1XX-XX-X-X-XXX-MKT.SLDDRW



**PROPRIETARY NOTE**  
THIS DOCUMENT CONTAINS INFORMATION CONFIDENTIAL AND PROPRIETARY TO SAMTEC, INC. AND SHALL NOT BE REPRODUCED OR TRANSFERRED TO OTHER DOCUMENTS OR DISCLOSED TO OTHERS OR USED FOR ANY PURPOSE OTHER THAN THAT WHICH IT WAS OBTAINED WITHOUT THE EXPRESSED WRITTEN CONSENT OF SAMTEC, INC.

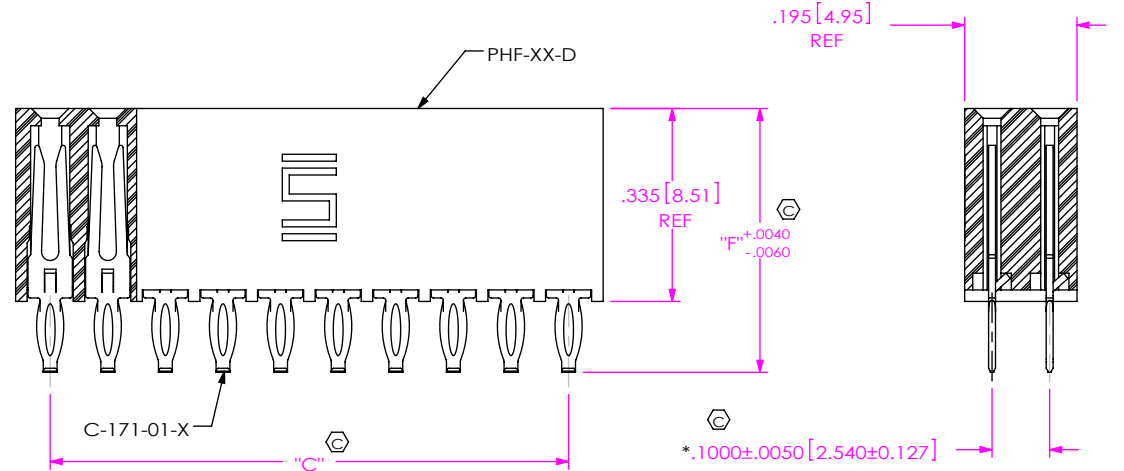
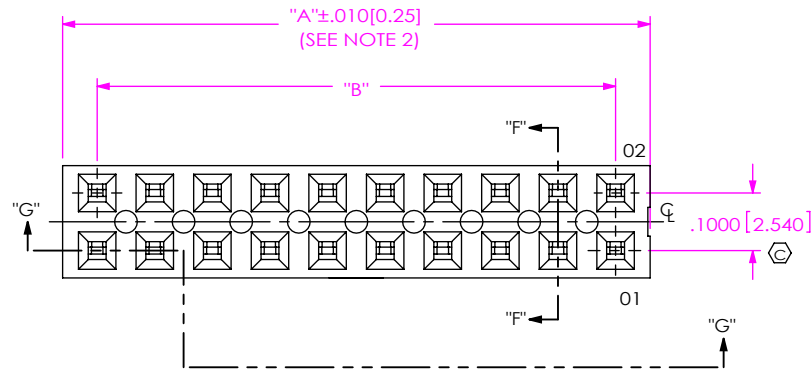
DO NOT SCALE DRAWING  
SHEET SCALE: 3:1

**samtec**  
520 PARK EAST BLVD, NEW ALBANY, IN 47150  
PHONE: 812-944-6733 FAX: 812-948-5047  
e-Mail: info@SAMTEC.com code 55322

DESCRIPTION: .100 PRESS FIT SOCKET ASSEMBLY  
DWG. NO. PHF-1XX-XX-X-X-XXX  
BY: ROY LUO 9/3/2009 SHEET 2 OF 4

TABLE 2

No. OF POS	"A"		"B"		"C"		"D"	
-01	0.120	[3.05]	N/A		N/A		0.095	[2.41]
-02	0.220	[5.59]	0.100	[2.54]	0.100	[2.54]	0.195	[4.95]
-03	0.320	[8.13]	0.200	[5.08]	0.200	[5.08]	0.295	[7.49]
-04	0.420	[10.67]	0.300	[7.62]	0.300	[7.62]	0.395	[10.03]
-05	0.520	[13.21]	0.400	[10.16]	0.400	[10.16]	0.495	[12.57]
-06	0.620	[15.75]	0.500	[12.70]	0.500	[12.70]	0.595	[15.11]
-07	0.720	[18.29]	0.600	[15.24]	0.600	[15.24]	0.695	[17.65]
-08	0.820	[20.83]	0.700	[17.78]	0.700	[17.78]	0.795	[20.19]
-09	0.920	[23.37]	0.800	[20.32]	0.800	[20.32]	0.895	[22.73]
-10	1.020	[25.91]	0.900	[22.86]	0.900	[22.86]	0.995	[25.27]
-11	1.120	[28.45]	1.000	[25.40]	1.000	[25.40]	1.095	[27.81]
-12	1.220	[30.99]	1.100	[27.94]	1.100	[27.94]	1.195	[30.35]
-13	1.320	[33.53]	1.200	[30.48]	1.200	[30.48]	1.295	[32.89]
-14	1.420	[36.07]	1.300	[33.02]	1.300	[33.02]	1.395	[35.43]
-15	1.520	[38.61]	1.400	[35.56]	1.400	[35.56]	1.495	[37.97]
-16	1.620	[41.15]	1.500	[38.10]	1.500	[38.10]	1.595	[40.51]
-17	1.720	[43.69]	1.600	[40.64]	1.600	[40.64]	1.695	[43.05]
-18	1.820	[46.23]	1.700	[43.18]	1.700	[43.18]	1.795	[45.59]
-19	1.920	[48.77]	1.800	[45.72]	1.800	[45.72]	1.895	[48.13]
-20	2.020	[51.31]	1.900	[48.26]	1.900	[48.26]	1.995	[50.67]
-21	2.120	[53.85]	2.000	[50.80]	2.000	[50.80]	2.095	[53.21]
-22	2.220	[56.39]	2.100	[53.34]	2.100	[53.34]	2.195	[55.75]
-23	2.320	[58.93]	2.200	[55.88]	2.200	[55.88]	2.295	[58.29]
-24	2.420	[61.47]	2.300	[58.42]	2.300	[58.42]	2.395	[60.83]
-25	2.520	[64.01]	2.400	[60.96]	2.400	[60.96]	2.495	[63.37]
-26	2.620	[66.55]	2.500	[63.50]	2.500	[63.50]	2.595	[65.91]
-27	2.720	[69.09]	2.600	[66.04]	2.600	[66.04]	2.695	[68.45]
-28	2.820	[71.63]	2.700	[68.58]	2.700	[68.58]	2.795	[70.99]
-29	2.920	[74.17]	2.800	[71.12]	2.800	[71.12]	2.895	[73.53]
-30	3.020	[76.71]	2.900	[73.66]	2.900	[73.66]	2.995	[76.07]
-31	3.120	[79.25]	3.000	[76.20]	3.000	[76.20]	3.095	[78.61]
-32	3.220	[81.79]	3.100	[78.74]	3.100	[78.74]	3.195	[81.15]
-33	3.320	[84.33]	3.200	[81.28]	3.200	[81.28]	3.295	[83.69]
-34	3.420	[86.87]	3.300	[83.82]	3.300	[83.82]	3.395	[86.23]
-35	3.520	[89.41]	3.400	[86.36]	3.400	[86.36]	3.495	[88.77]
-36	3.620	[91.95]	3.500	[88.90]	3.500	[88.90]	3.595	[91.31]
-37	3.720	[94.49]	3.600	[91.44]	3.600	[91.44]	3.695	[93.85]
-38	3.820	[97.03]	3.700	[93.98]	3.700	[93.98]	3.795	[96.39]
-39	3.920	[99.57]	3.800	[96.52]	3.800	[96.52]	3.895	[98.93]
-40	4.020	[102.11]	3.900	[99.06]	3.900	[99.06]	3.995	[101.47]
-41	4.120	[104.65]	4.000	[101.60]	4.000	[101.60]	4.095	[104.01]
-42	4.220	[107.19]	4.100	[104.14]	4.100	[104.14]	4.195	[106.55]
-43	4.320	[109.73]	4.200	[106.68]	4.200	[106.68]	4.295	[109.09]
-44	4.420	[112.27]	4.300	[109.22]	4.300	[109.22]	4.395	[111.63]
-45	4.520	[114.81]	4.400	[111.76]	4.400	[111.76]	4.495	[114.17]
-46	4.620	[117.35]	4.500	[114.30]	4.500	[114.30]	4.595	[116.71]
-47	4.720	[119.89]	4.600	[116.84]	4.600	[116.84]	4.695	[119.25]
-48	4.820	[122.43]	4.700	[119.38]	4.700	[119.38]	4.795	[121.79]
-49	4.920	[124.97]	4.800	[121.92]	4.800	[121.92]	4.895	[124.33]
-50	5.020	[127.51]	4.900	[124.46]	4.900	[124.46]	4.995	[126.87]



SECTION "G"-"G"

SECTION "F"-"F"

\*= CONTACTS MAY BE ORIENTED IN EITHER DIRECTION DURING FILL TO BEST MEET C6 TOLERANCE.

FIG 4  
(PHF-1XX-01-X-D SHOWN)  
(SAME AS FIG 1, EXCEPT AS SHOWN)

PROPRIETARY NOTE

THIS DOCUMENT CONTAINS INFORMATION CONFIDENTIAL AND PROPRIETARY TO SAMTEC, INC. AND SHALL NOT BE REPRODUCED OR TRANSFERRED TO OTHER DOCUMENTS OR DISCLOSED TO OTHERS OR USED FOR ANY PURPOSE OTHER THAN THAT WHICH IT WAS OBTAINED WITHOUT THE EXPRESSED WRITTEN CONSENT OF SAMTEC, INC.

DO NOT SCALE DRAWING

SHEET SCALE: 3:1



520 PARK EAST BLVD, NEW ALBANY, IN 47150  
PHONE: 812-944-6733 FAX: 812-948-5047  
e-Mail: info@SAMTEC.com code 55322

DESCRIPTION: .100 PRESS FIT SOCKET ASSEMBLY

DWG. NO. PHF-1XX-XX-X-X-XXX

BY: ROY LUO 9/3/2009 SHEET 3 OF 4

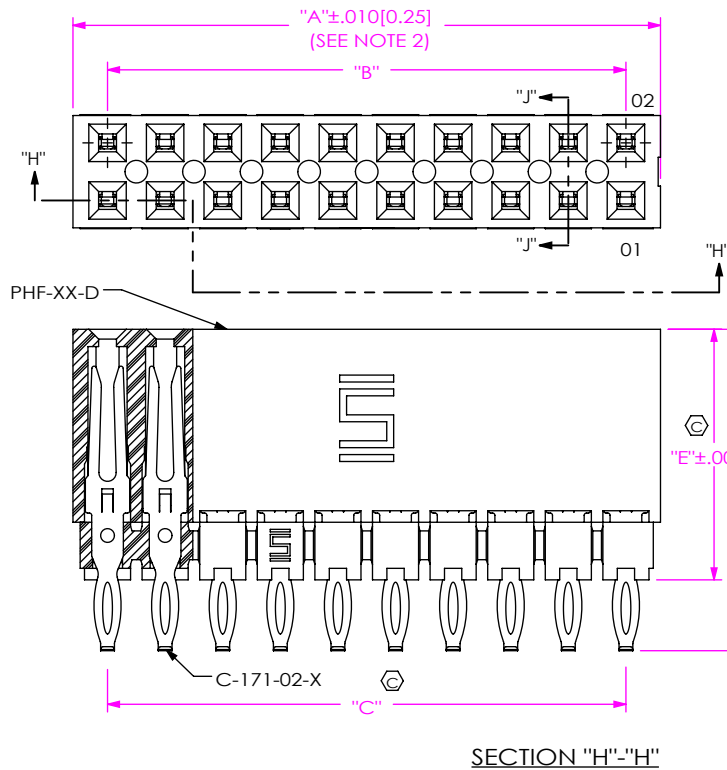


FIG 5  
(PHF-1XX-02-X-D SHOWN)  
(SAME AS FIG 4, EXCEPT AS SHOWN)

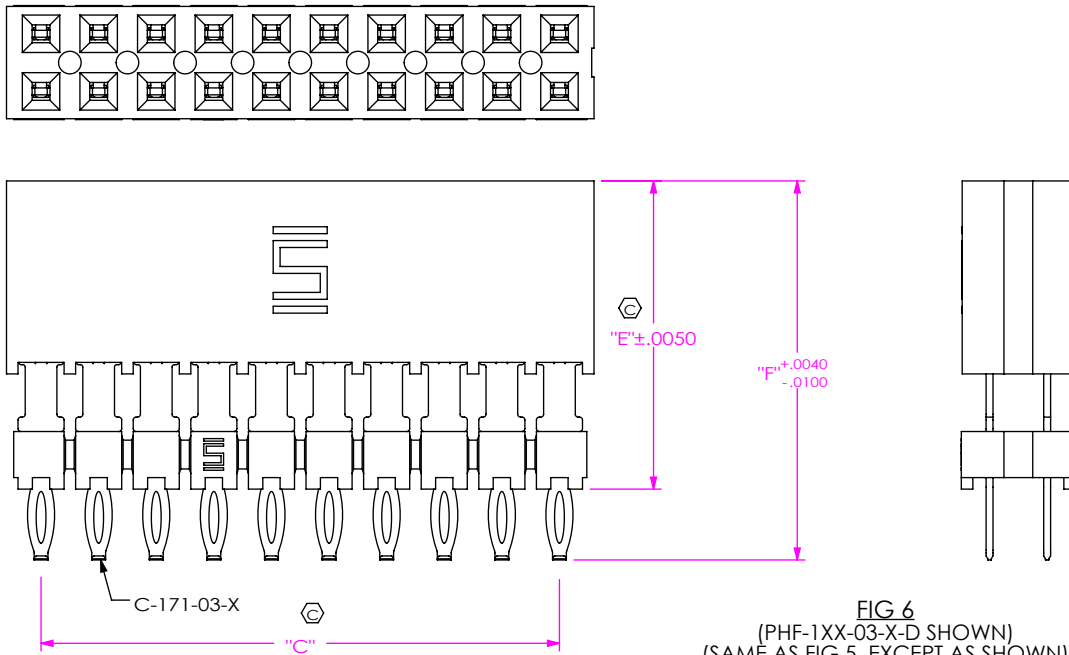
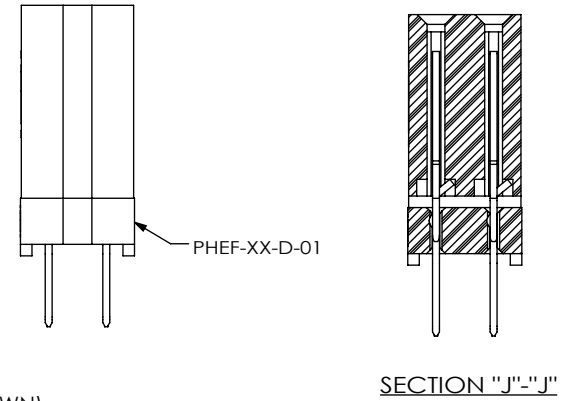
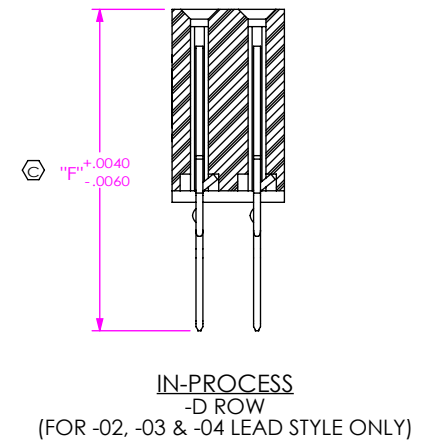


FIG 6  
(PHF-1XX-03-X-D SHOWN)  
(SAME AS FIG 5, EXCEPT AS SHOWN)  
(FOR -03 & -04 LEAD STYLE ONLY)



**PROPRIETARY NOTE**  
THIS DOCUMENT CONTAINS INFORMATION  
CONFIDENTIAL AND PROPRIETARY TO  
SAMTEC, INC. AND SHALL NOT BE REPRODUCED  
OR TRANSFERRED TO OTHER DOCUMENTS OR  
DISCLOSED TO OTHERS OR USED FOR ANY  
PURPOSE OTHER THAN THAT WHICH IT WAS  
OBTAINED WITHOUT THE EXPRESSED WRITTEN  
CONSENT OF SAMTEC, INC.

DO NOT SCALE DRAWING

SHEET SCALE: 3:1

**samtec**

520 PARK EAST BLVD, NEW ALBANY, IN 47150  
PHONE: 812-944-6733 FAX: 812-948-5047  
e-Mail info@SAMTEC.com code 55322

DESCRIPTION:  
.100 PRESS FIT SOCKET ASSEMBLY

DWG. NO.  
PHF-1XX-XX-X-X-XXX

BY: ROY LUO 9/3/2009 SHEET 4 OF 4