

PART NUMBER	ENG. NUMBER	MATERIAL (SEE NOTE 1)	FINISH (SEE NOTE 2)
15-04-0802	41680-6AA	A	A
NOT TOOLED	41680-6AB	A	B
NOT TOOLED	41680-6BA	B	A
NOT TOOLED	41680-6BB	B	B

- NOTES:
- MATERIAL:
A = PA66, UL 94V-2, COLOR-TRANSLUCENT WHITE
B = PA66, UL 94V-0, COLOR-OPAQUE WHITE
 - FINISH:
A = NATURAL COLOR
B = BLUE (DYED)
 - MATERIAL NUMBER = 015040802
ENGINEERING NUMBER = 41680-6AA
 - PART IS FOR USE WITH MOLEX TERMINAL #1508-5 AND 1508-6.

LEGEND:

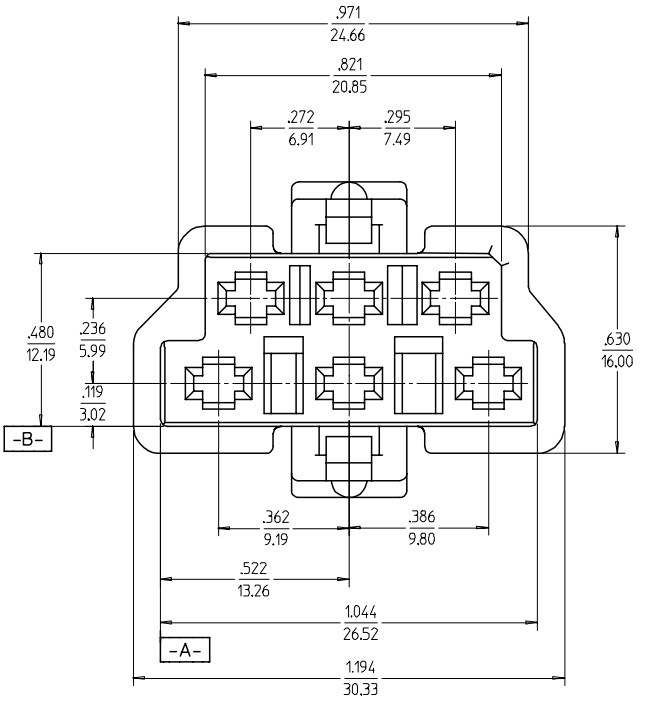
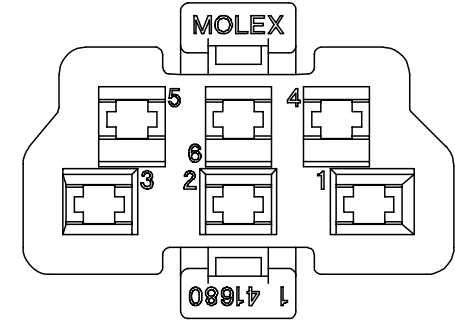
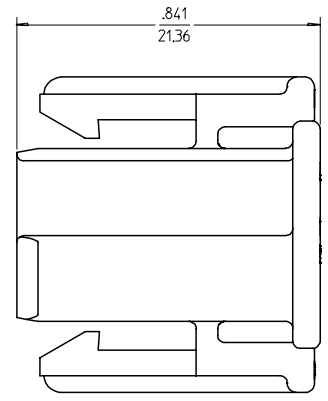
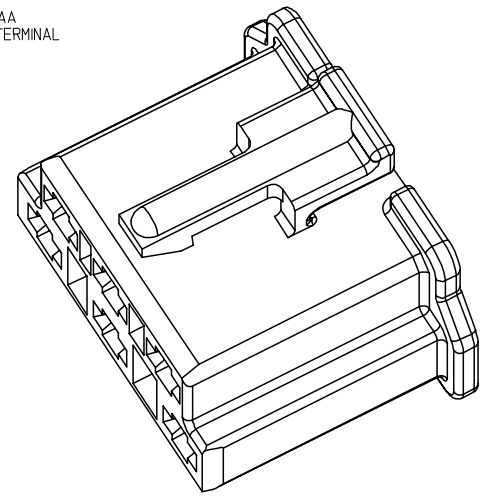
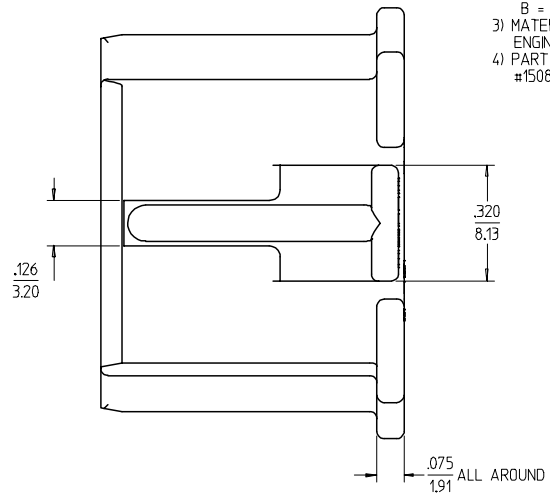
41680 - 6 * *

BASE NUMBER

CIRCUIT SIZE

MATERIAL (SEE NOTE 1)

COLOR (SEE NOTE 2)



REDRAWN/ADD FLANGE EC NO: WCP2003-06885 DRWN:MKAMARA003/02/26 CHKD:MKAMARA003/02/26 APPR:BWIRKUS 2003/02/27	QUALITY SYMBOLS	GENERAL TOLERANCES (UNLESS SPECIFIED)	SCALE 4:1	DESIGN UNITS INCH	THIRD ANGLE PROJECTION	REVISE ON CAD ONLY
	▽-0 ◻-0	4 PLACES ± --- ± --- 3 PLACES ± --- ± .010 2 PLACES ± 0.25 ± .015 1 PLACE ± 0.38 ± --- ANGULAR ±1/2°	DIMENSION STYLE IN/MM	TITLE TEMPERATURE SWITCH CONNECTOR HOUSING	MOLEX INCORPORATED SEE CHART SD-41680-6**	
	DRAFT WHERE APPLICABLE	MUST REMAIN WITHIN DIMENSIONS	APPROVED BY RAS	DATE 8/22/88	MATERIAL NO. SEE CHART	DOCUMENT NO. SD-41680-6**
	THIS DRAWING CONTAINS INFORMATION THAT IS PROPRIETARY TO MOLEX INCORPORATED AND SHOULD NOT BE USED WITHOUT WRITTEN PERMISSION					SHEET NO. 1 OF 1