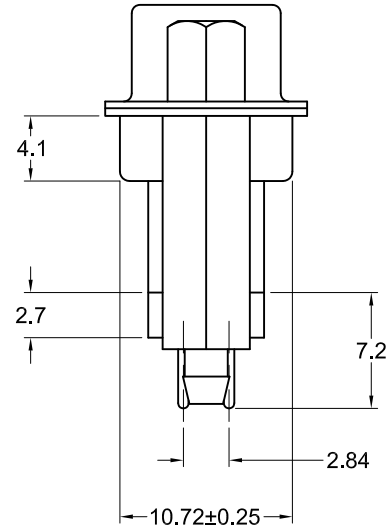
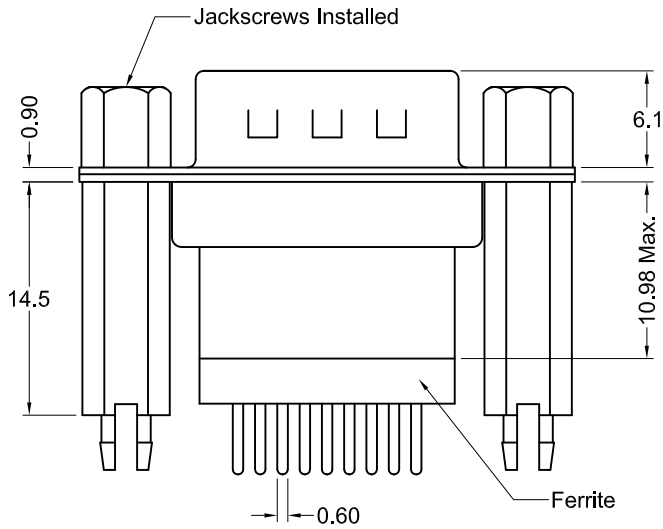
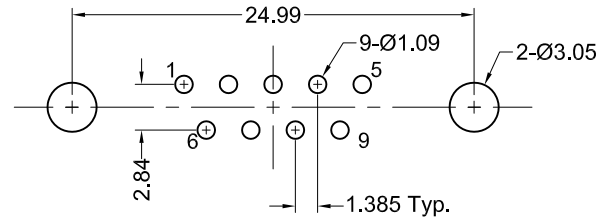


Recommended PCB Layout
(Top View)



Material and Finish

Shell: Steel, Nickel Plated

Insulator: PBT with Glass-Fiber Reinforcement
UL 94V-0
Color-Black

Contact Material:
Plug - Brass

Precision Machined

Contact Plating Options:

Standard: gold flash on mating end, gold on termination end, nickel underplate on entire contact

Electrical Specifications

Rated Current: 2A

Rated Voltage: 30V RMS

Withstanding Voltage:
500V (rms) AC for 1 minute

Insulation Resistance:
more than 1000 Megohm at 500V DC

Contact Resistance:
13 milliohm max.

Temperature Rating:
-55°C to +105°C

Ferrite Specifications

Measured Value(OHM)	Test Frequency
20 MIN.	25 MHz.
50 MIN.	100 MHz.

Tolerances

X.X ± 0.25
X.XX ± 0.15
Unless Stated
Otherwise



REV.	DATE	DESCRIPTION	REV. BY	CHK. BY	DRAWN BY	DATE
A1	02/03/11	New Drawing	S. Vien	H. MA	S. Vien	04/01/10
A2	12/31/17	ECO #17-035	C. Kelleher	C. Furumasu		

KF88X-EC-9P-BRJ

Vertical D-Sub, 9 Pin Male, RoHS Compliant
Ferrite, Machined Contacts, Boardlocks, JS

