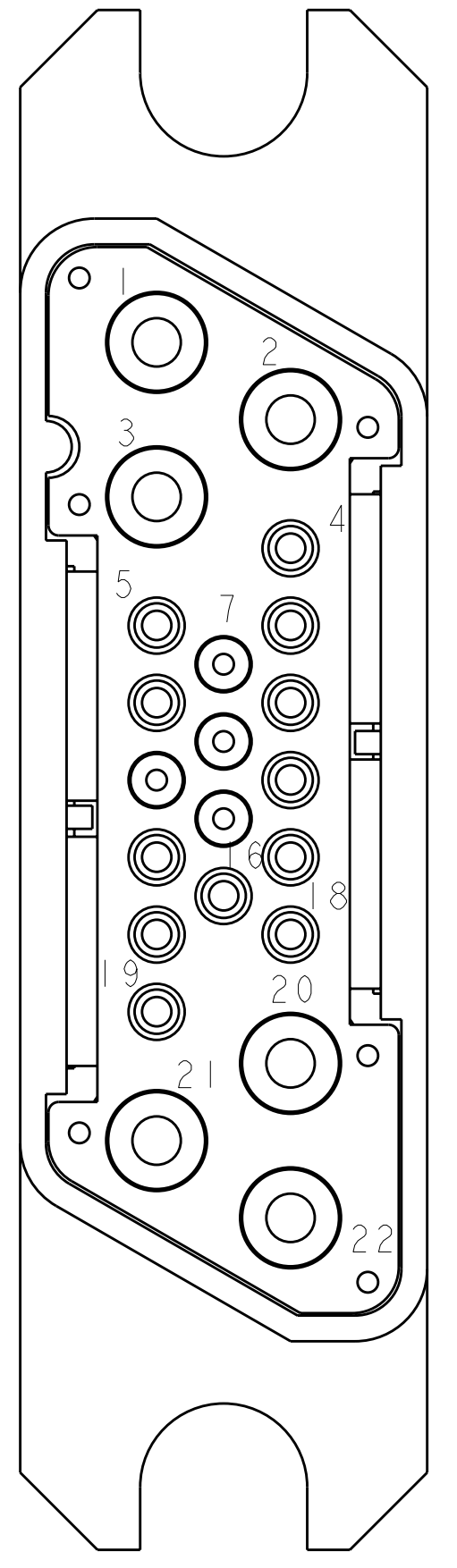
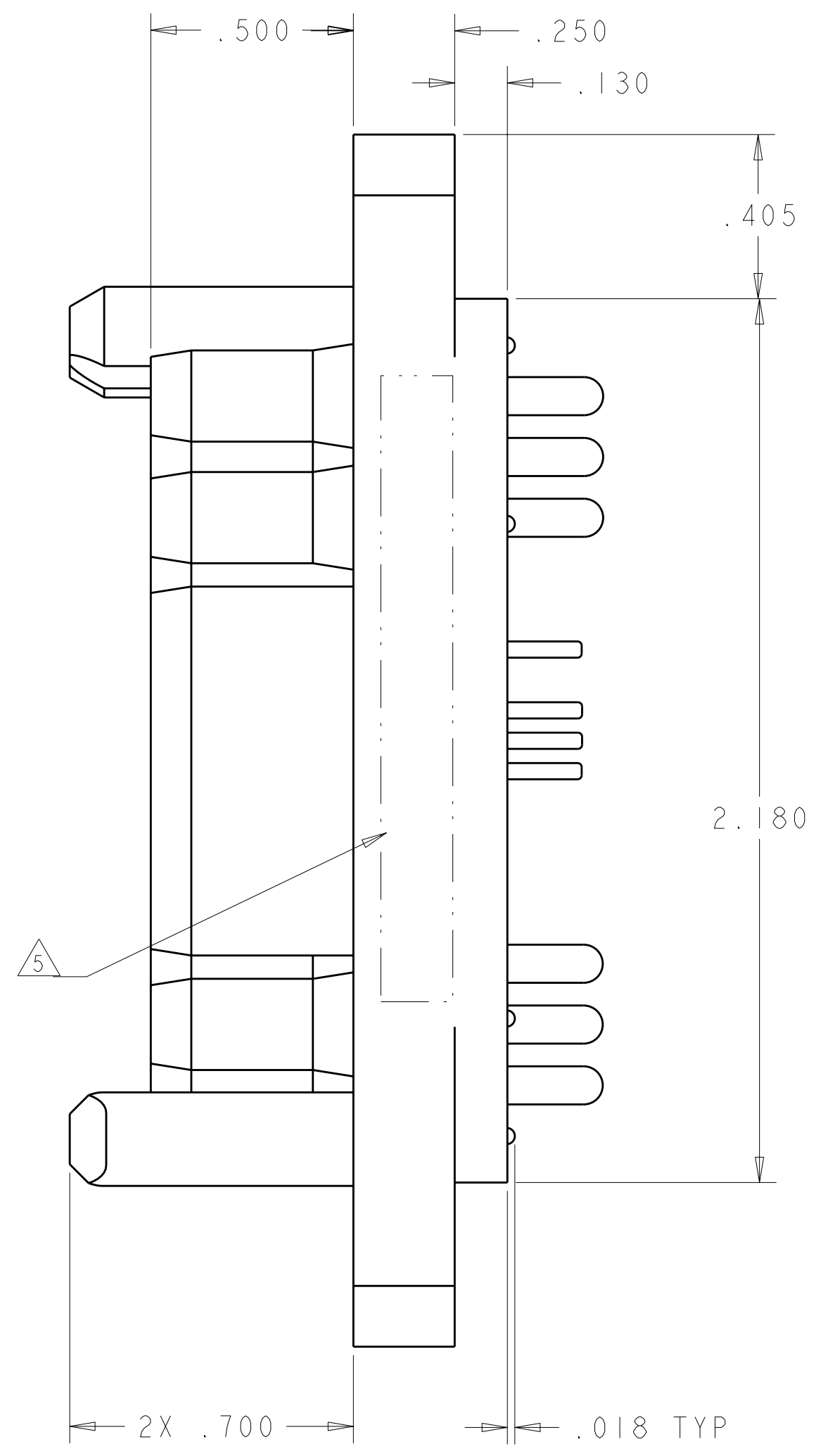
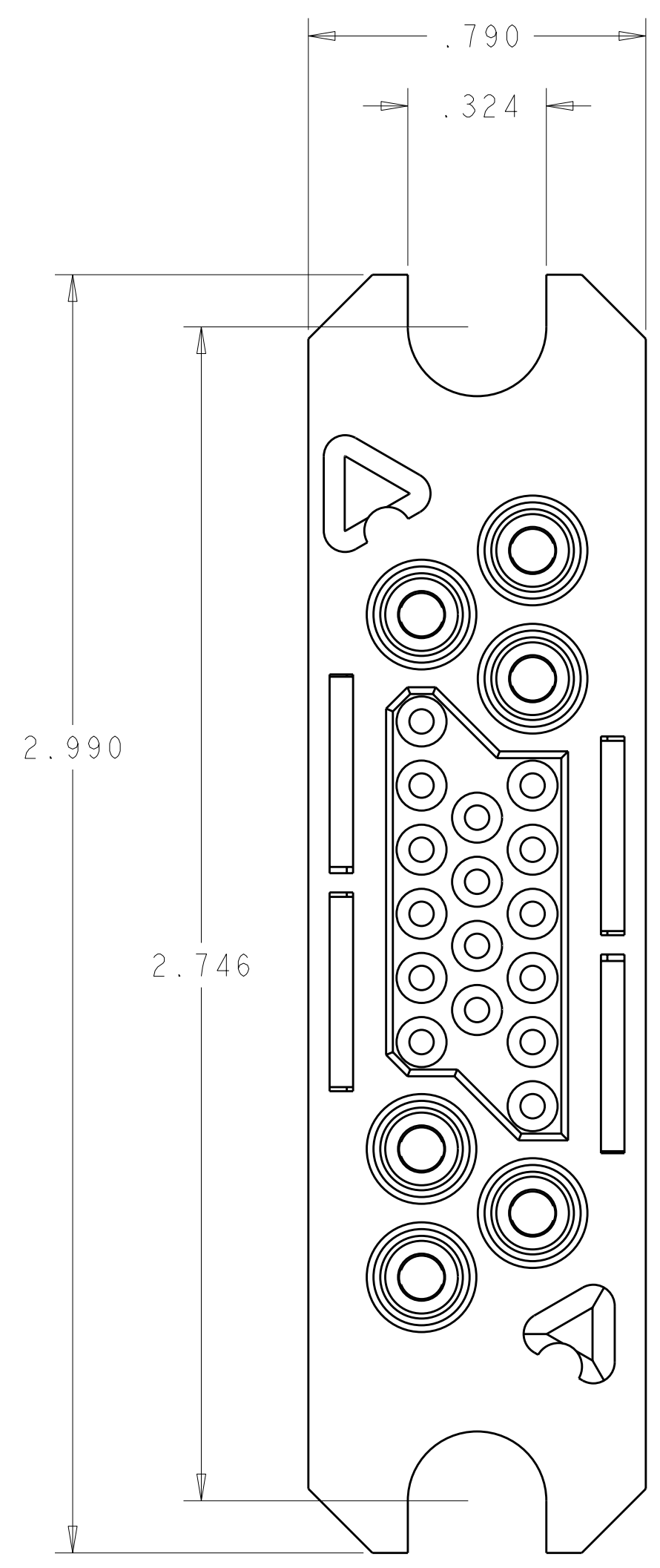


LOC	DIST	REVISIONS			
GP	00	REV	DATE	DWN	APVD
		B	REVISED PER ECO-06-026901	28NOV2006	GIP DO

- PART NUMBER CHANGES AND OR DESIGN CHANGES AFFECTING THE INTERCHANGEABILITY REQUIRE PRIOR TYCO APPROVAL AND AUTHORIZATION BY REVISION TO THIS DRAWING.
 - MATERIAL:
 INSULATOR: THERMOPLASTIC: GLASS REINFORCED, UL 94V-0
 FLAMMABILITY RATED, COLOR: BLACK
 CONTACT: BRASS ROD ALLOY
 CROWN BAND: BERYLLIUM COPPER
 RETENTION CLIP: BERYLLIUM COPPER
 - FINISH:
 CONTACTS SIZE #12: GOLD .000010 MIN THK OVER NICKEL .000040 MIN THK.
 CONTACTS: SIZE #20: GOLD .000010 MIN THK OVER NICKEL .000040 MIN THK.
 CROWN BAND: GOLD IN CONTACT AREA: .000030 MIN THK OVER NICKEL .000040 M9N THK.
- 4 PCB TAIL CONTACTS ARE INSERTABLE/ NON REMOVABLE
 5 ITEMS PROVIDED TO THIS SPECIFICATION TO BE PERMANENTLY IDENTIFIED PER THE FOLLOWING IDENTIFIER:

YEAR _____ WEEK _____
 TYCO PART NUMBER: XXXXXXXX-X
 DATE CODE (e.g. 0221): XXXX



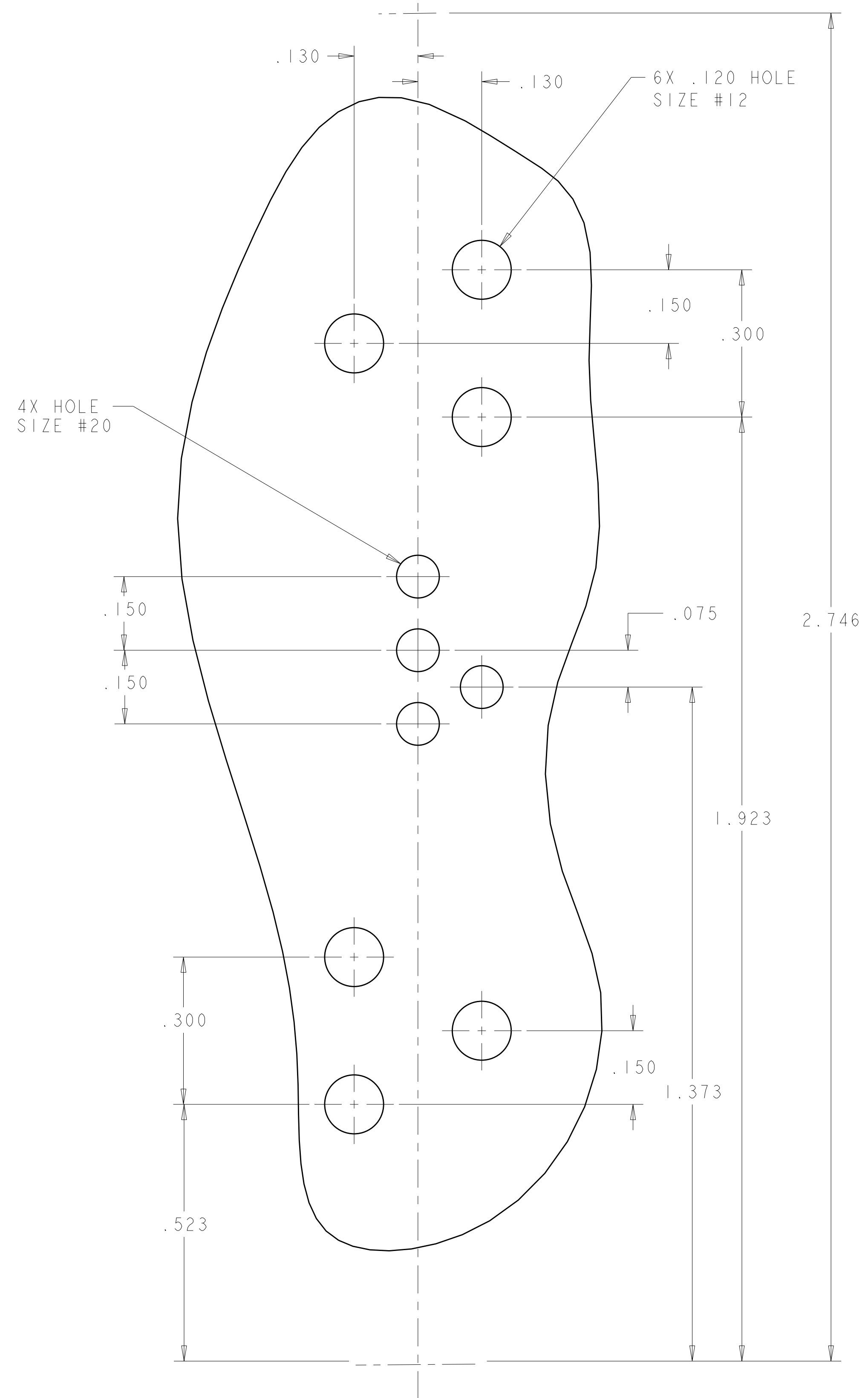
SOCKET CONTACT (C)
 SIZE #12
 POSN. #1 THRU 3

 SOCKET CONTACT (B)
 SIZE #20
 POSN. #7,10,11 & 13

 SOCKET CONTACT (C)
 SIZE #12
 POSN. #20 THRU 22

DIMENSIONS: INCHES TOLERANCES UNLESS OTHERWISE SPECIFIED: 9 PLC ±. 1 PLC ±. 2 PLC ±.02 3 PLC ±.010 4 PLC ±.0005 ANGLES ±. FINISH ±.		DWN: R. GRYZBOWSKI 22AUG2006 CHK: P. DAMATO 22AUG2006 APVD: S. FLICKINGER 23AUG2006 PRODUCT SPEC APPLICATION SPEC WEIGHT CUSTOMER DRAWING		Tyco Electronics Harrisburg, PA 17105-3608 NAME: CONNECTOR, ASSEMBLY, SOCKET WITH PCB TAILS SIZE: A100779 CAGE CODE: C-1766013 DRAWING NO: 1766013 SCALE: 1:1 SHEET: 1 OF 2 REV: B	
---	--	---	--	--	--

LOC	DIST	REVISIONS					
GP	00	P	LTB	DESCRIPTION	DATE	DWN	APVD
		-	-	SEE SHEET 1	-	-	-



PRINTED CIRCUIT BOARD LAYOUT

HOLE SIZE #12
 FINISHED HOLE: $\varnothing .104 \pm .003$
 DRILLED HOLE: $\varnothing .106 \pm .0005$
 COPPER PLATE: .0010-.0020
 TIN PLATE: .0002 MIN THK.

HOLE SIZE #20
 FINISHED HOLE: $\varnothing .047 \pm .003$
 DRILLED HOLE: $\varnothing .0453 \pm .0005$
 COPPER PLATE: .0010-.0020
 TIN PLATE: .0002 MIN THK.

QTY	PART NUMBER	DESCRIPTION	ITEM
6	1648387-1	CONTACT, SOCKET, SIZE #12, PCB TAIL, HP	C
4	1648382-1	CONTACT, SOCKET, SIZE #20, PCB TAIL	B
1	1648115-2	HOUSING, SOCKET, PCB MOUNT, NO LABEL	A
-2	PART NUMBER	DESCRIPTION	ITEM

<small>THIS DRAWING IS UNPUBLISHED. RELEASED FOR PUBLICATION BY TYCO ELECTRONICS CORPORATION. ALL RIGHTS RESERVED. THIS IS SUBJECT TO CHANGE WITHOUT NOTICE AND WITHOUT OBLIGATION. SHOULD BE CONTACTED FOR THE LATEST REVISION.</small>		DWN: R. GRYZBOWSKI 22AUG2006 CHK: P. DAMATO 22AUG2006 APVD: S. FLICKINGER 22AUG2006	tyco Electronics Tyco Electronics Harrisburg, PA 17105-3608
DIMENSIONS: INCHES 	TOLERANCES UNLESS OTHERWISE SPECIFIED: 9 PLC ±. 1 PLC ±. 2 PLC ±.02 3 PLC ±.010 4 PLC ±.0005 ANGLES ±.	NAME: S. FLICKINGER PRODUCT SPEC: APPLICATION SPEC: WEIGHT:	NAME: CONNECTOR, ASSEMBLY, SOCKET WITH PCB TAILS SIZE: A 00779 C=1766013 RESTRICTED TO:
MATERIAL: -	FINISH: -	WEIGHT: -	SCALE: 1:1 SHEET 2 OF 2 REV B
CUSTOMER DRAWING			