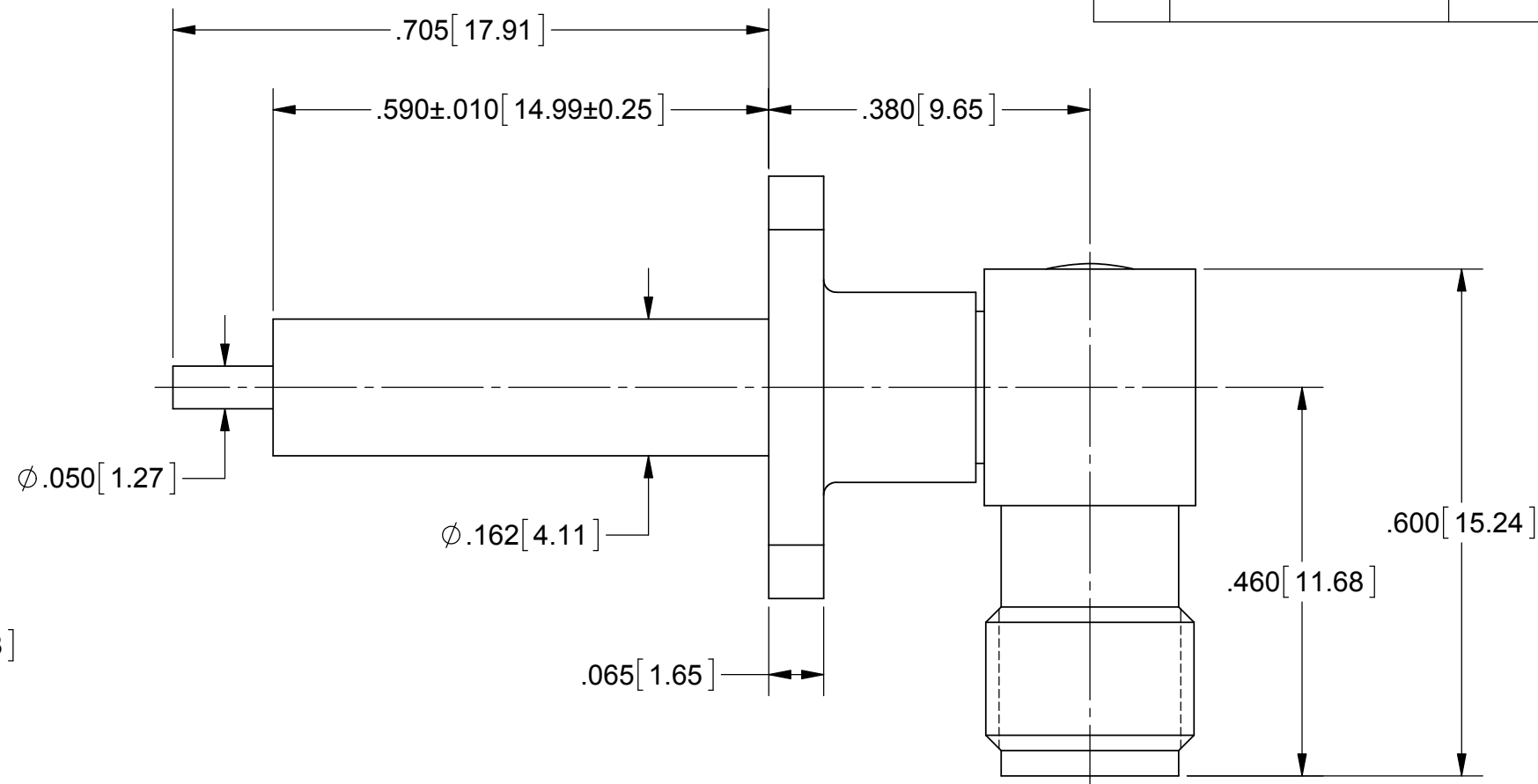
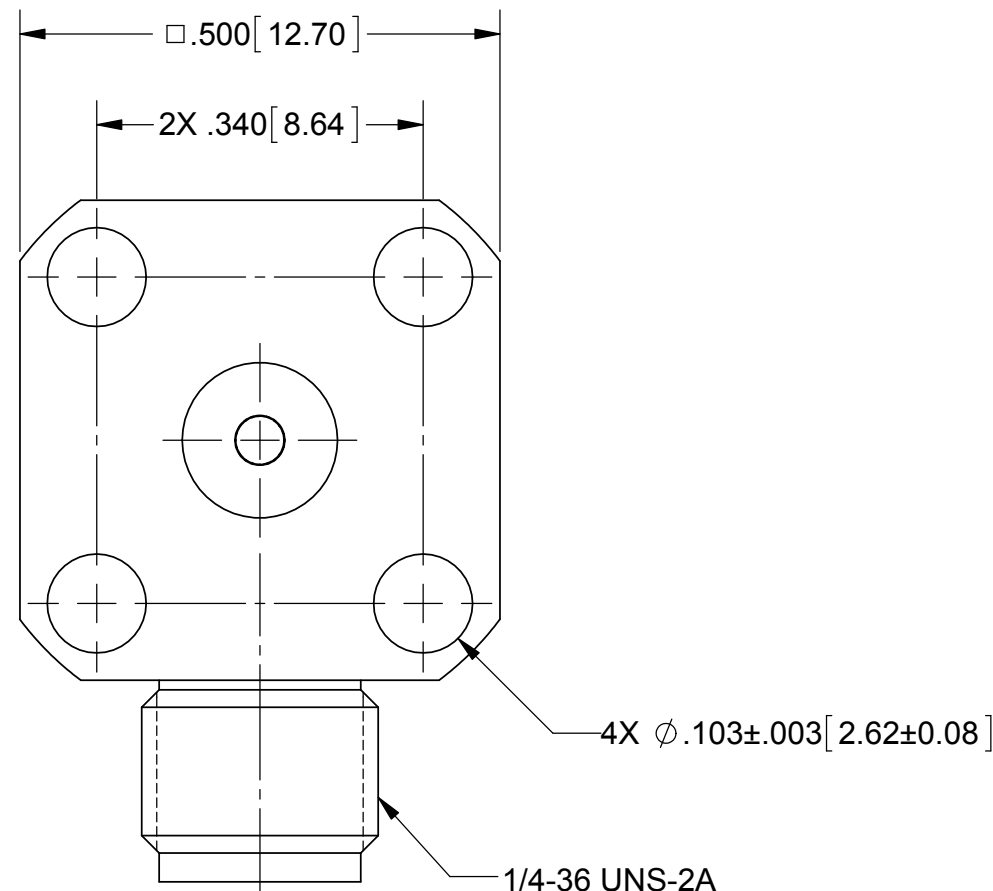


PRODUCT DATA DRAWING

REVISION HISTORY			
REV	DESCRIPTION	DATE	APPROVED
B	DCN 41793	10/15	DAL



MATERIAL:

- BODIES:** STAINLESS STEEL PER AMS-5640, ALLOY UNS S30300, TYPE 1
- CAP:** STAINLESS STEEL PER ASTM A-240, ALLOY UNS S30400, TYPE 304
- CONTACT:** BERYLLIUM COPPER PER ASTM B196, ALLOY No. UNS C17300, TD04
- TERMINAL:** BRASS PER ASTM B16, ALLOY UNS No. C36000
- INSULATORS:** PTFE PER ASTM D1710, TYPE I, GRADE 1, CLASS B

FINISH:

- BODIES & CAP:** GOLD PER ASTM B488, TYPE I, CODE C, CLASS .50, OVER NICKEL PER AMS-QQ-N-290, CLASS 1, .00005" MIN.

CONTACT & TERMINAL:

- GOLD PER ASTM B488, TYPE II, CODE C, CLASS .76, OVER NICKEL PER AMS-QQ-N-290, CLASS 1, .00005" MIN.

PERFORMANCE:

- IMPEDANCE:** 50 OHMS
- FREQ. RANGE:** DC TO 12.4 GHZ

MATERIAL: SEE NOTES	DIMENSIONS ARE IN INCHES TOLERANCES: FRACTIONAL: ±1/64 ANGULAR: X° ±1'0" X"X' ±15'	UNLESS OTHERWISE SPECIFIED 1) ALL DIMENSIONS ARE IN INCHES (MILLIMETERS) 2) ALL DIMENSIONS ARE AFTER PLATING. 3) BREAK CORNERS & EDGES .005 R. MAX. 4) CHAM. 1ST & LAST THREADS. 5) SURFACE ROUGHNESS 63-MIL-STD-10. 6) DIA.'S ON COMMON CENTERS TO BE CONCENTRIC WITHIN .005 T.I.R. 7) REMOVE ALL BURRS	 Amphenol 2400 Centrepark West Drive, Suite 100 West Palm Beach, FL 33409 TITLE: SMA JACK 4 HOLE FLANGE MOUNT, RECEPTACLE CAPTIVATED CONTACT
FINISH: SEE NOTES	DECIMAL: X ±.030 .XX ±.010 .XXX ±.005	INTERPRET DIMENSIONS AND TOLERANCES PER ASME Y14.5M - 1994	
SURFACE AREA: N/A	THIRD ANGLE PROJECTION	DRAWN: BNK 10/21/15	SIZE CAGE CODE DWG. NO. B 95077 2960-6025
PROPRIETARY THE INFORMATION CONTAINED IN THIS DRAWING IS THE SOLE PROPERTY OF SV MICROWAVE, INC. ANY REPRODUCTION IN PART OR AS A WHOLE WITHOUT THE WRITTEN PERMISSION OF SV MICROWAVE, INC IS PROHIBITED.		CHECKED: DAL 10/21/15	SCALE: 5:1
		APPROVED: SW 04/07/97	SHEET 1 OF 1