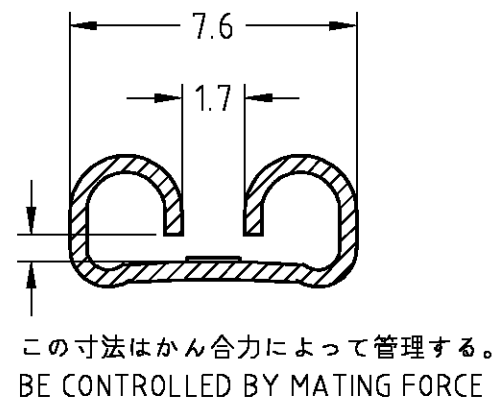
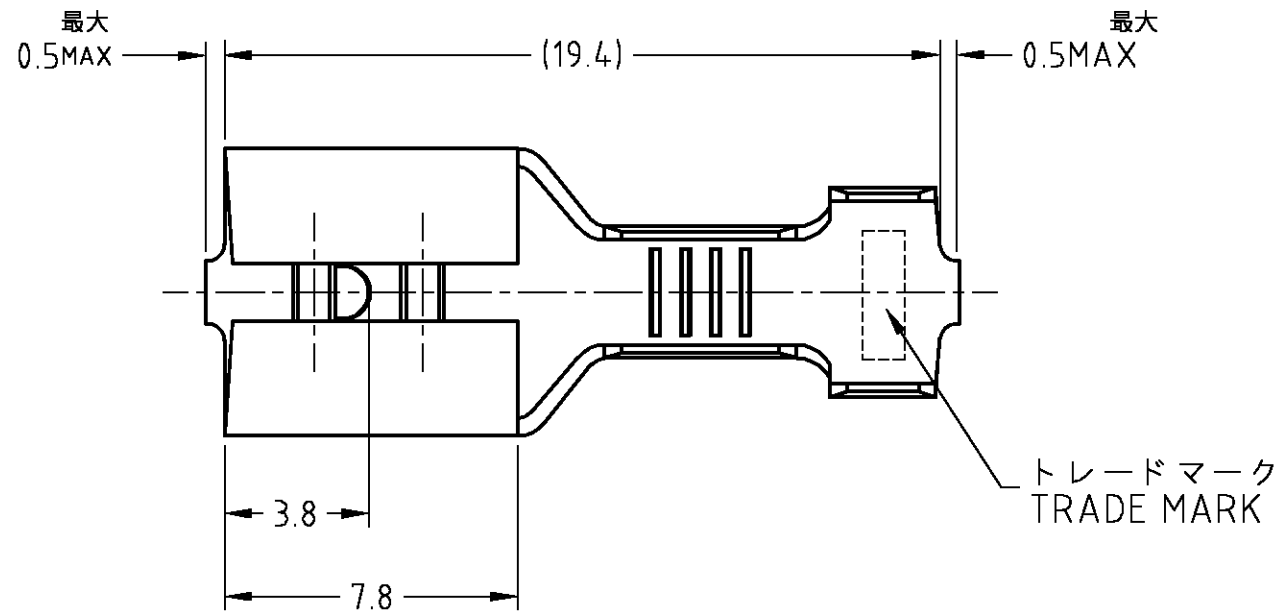
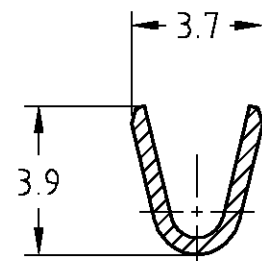


THIS DRAWING IS UNPUBLISHED. RELEASED FOR PUBLICATION  
 © COPYRIGHT BY TYCO ELECTRONICS CORPORATION. ALL RIGHTS RESERVED.

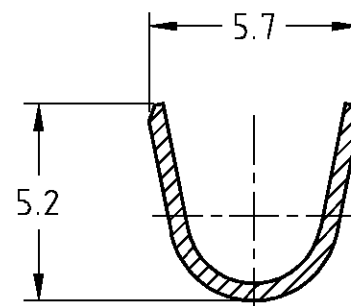
LOC	DIST	REVISIONS					
J	—	P	LTR	DESCRIPTION	DATE	DWN	APVD
		A		REDRAWN WITH CHANGE	03MAR'08	J.S	S.M



断面A-A  
SECT



断面B-B  
SECT



断面C-C  
SECT

注記

- かん合タブの詳細についてはCP-63-048Jの図面を参照すること
- △ ストレス除去処理：処理法により外観が変わります。  
 不活性ガス加熱方式・・・無光沢  
 大気加熱方式・・・光沢

NOTES

- SEE DRAWING OF CP-63-048J FOR THE DETAIL OF MATING TAB
- △ STRESS RELIEVING : FINISH IS SUBJECT TO CHANGE BY THE TYPE OF STRESS RELIEVING PROCESS  
 INERT GAS FURNACE・・・MATTE  
 ATMOSPHERIC FURNACE FOLLOWED BY ACID PICKLE・・・BRIGHT

170084-2	錫めっき	燐青銅 (PHOS BRO)	170083-2
170084-1	△		170083-1
ばら状端子型番 L/P NO.	仕上 FINISH	材料 MATERIAL	型番 PART NUMBER

WIRE RANGE 総合電線断面積	AWG#18~#14 0.75~2.27mm <sup>2</sup>	INSULATION DIA 被覆外径	3.05~4.32mm
-----------------------	--	------------------------	-------------

THIS DRAWING IS A CONTROLLED DOCUMENT.		DWN J.SATO	03APR2008	Tyco Electronics Corporation Kawasaki, Japan	
DIMENSIONS: 単位：mm	TOLERANCES UNLESS OTHERWISE SPECIFIED: 一般公差	CHK S.MANABE	03APR2008	NAME 名称	
		APVD S.MANABE	03APR2008	250 SERIES FASTON RECEPTACLE	
MATERIAL 材料	FINISH 仕上	PRODUCT SPEC 製品規格 108-5006		SIZE	A3
		APPLICATION SPEC 取付適用規格 114-5084		CAGE CODE	00779
SEE TABLE	SEE TABLE	WEIGHT		DRAWING NO 番号	C-170083
CUSTOMER DRAWING				RESTRICTED TO	—
				SCALE 尺度	4:1
				SHEET	1 OF 1
				REV	A