

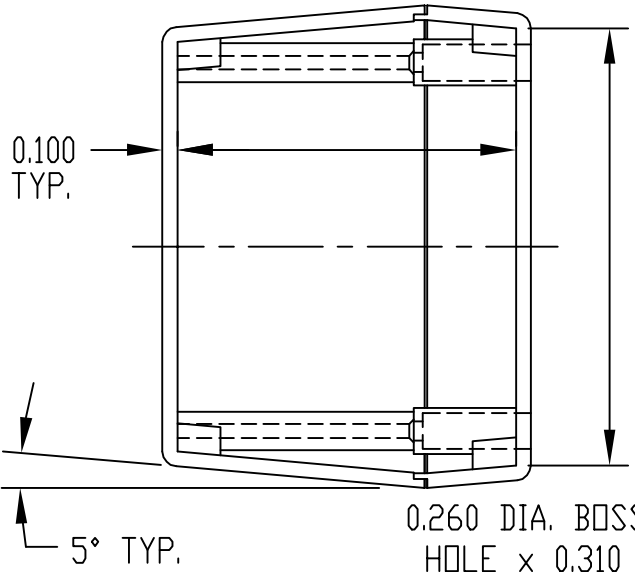
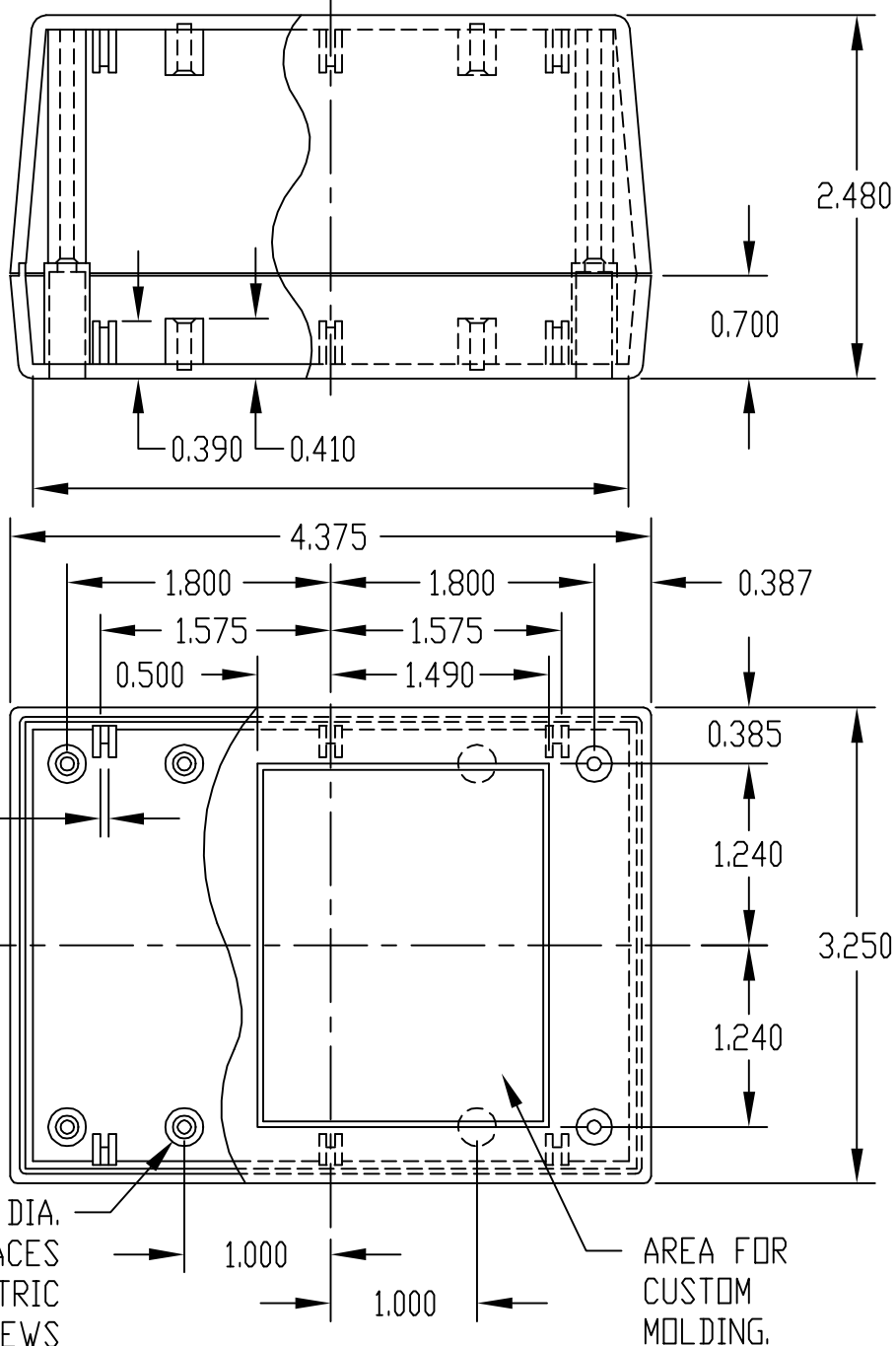
PART NAME	PLASTIBOX (STYLE A)	PART No.	PT-11380	REVISION DATE	7-18-14
-----------	---------------------	----------	----------	---------------	---------

MATERIAL: HIGH-IMPACT ABS
 COLOR: BLACK OR GRAY
 FINISH: TEXTURED BODY WITH TEXTURED TOP

FOUR (4) #4 x 0.375" LG. SCREWS SUPPLIED FOR ASSEMBLING TOP.

FOUR (4) NON-SKID PUSH-ON FEET SUPPLIED

NOTE: ALL DIMENSIONS HAVE ±0.015 TOLERANCE UNLESS OTHERWISE SPECIFIED.



0.260 DIA. BOSS WITH 0.093 DIA. HOLE x 0.310 DEEP (8) PLACES MOUNTING BOSSES USE EITHER M2.5 METRIC OR #4 STD. SHEET METAL SCREWS x 0.250" LG. (NOT SUPPLIED)

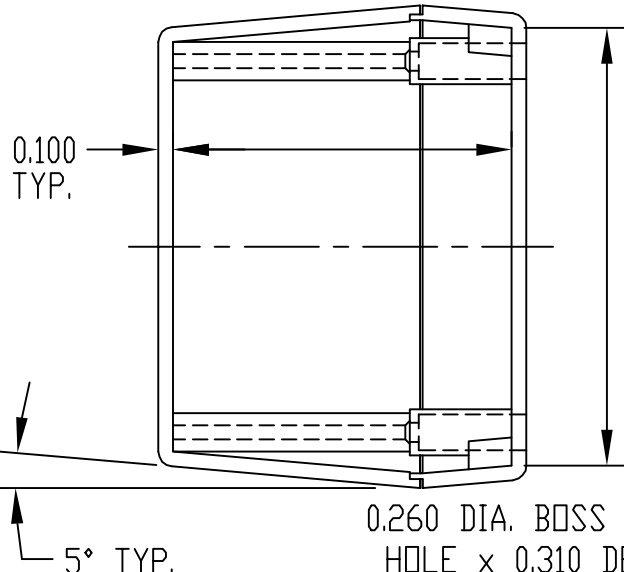
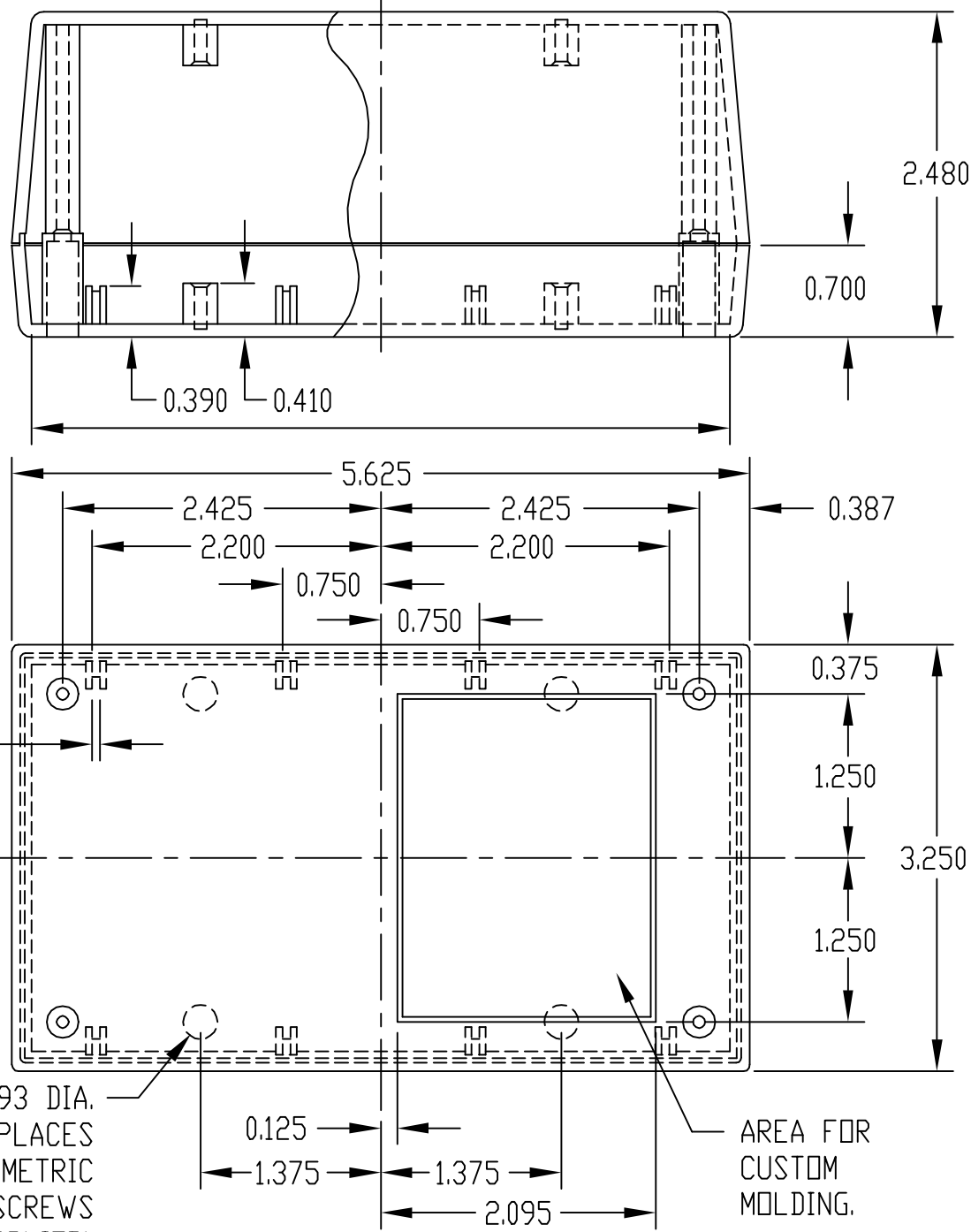
PART NAME	PLASTIBOX (STYLE A)	PART No.	PT-11388	REVISION DATE	7-18-14
-----------	---------------------	----------	----------	---------------	---------

MATERIAL: HIGH-IMPACT ABS
 COLOR: BLACK OR GRAY
 FINISH: TEXTURED BODY WITH TEXTURED TOP

FOUR (4) #4 x 0.375" LG. SCREWS SUPPLIED FOR ASSEMBLING TOP.

FOUR (4) NON-SKID PUSH-ON FEET SUPPLIED

NOTE: ALL DIMENSIONS HAVE ±0.015 TOLERANCE UNLESS OTHERWISE SPECIFIED.



0.260 DIA. BOSS WITH 0.093 DIA. HOLE x 0.310 DEEP (8) PLACES MOUNTING BOSSES USE EITHER M2.5 METRIC OR #4 STD. SHEET METAL SCREWS x 0.250" LG. (NOT SUPPLIED)