

LED Module with Ultra Thin Lens

- Thin Lens Structure
- High Color Uniformity
- High Efficiency

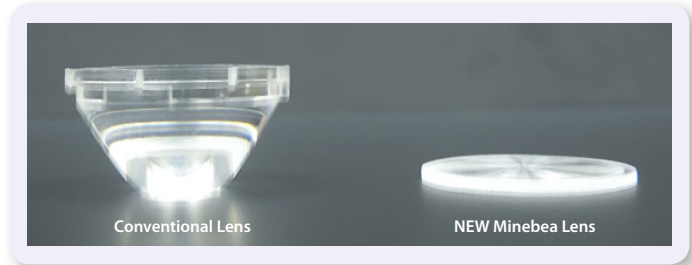
This exceptional LED module design incorporates Minebea's state-of-the-art ultra-thin lens technology with Nichia's NSMx286M LED chip. This unique pairing offers a superior LED module with quality optical and light characteristics, and the highest performance of uniformity and color quality.

Available in 12 models and offered in a 12, 25, and 55 degree beam, these models support four different color temperatures, achieve 93% efficiency and offer a rated lifetime of 40,000 hours.

The new ultra-thin Fresnel lens technology, with 1mm thickness, provides the platform for a low profile design, ideal for applications where downlight, trac and decorative lighting are at the center of the overall design.



Lens Structure

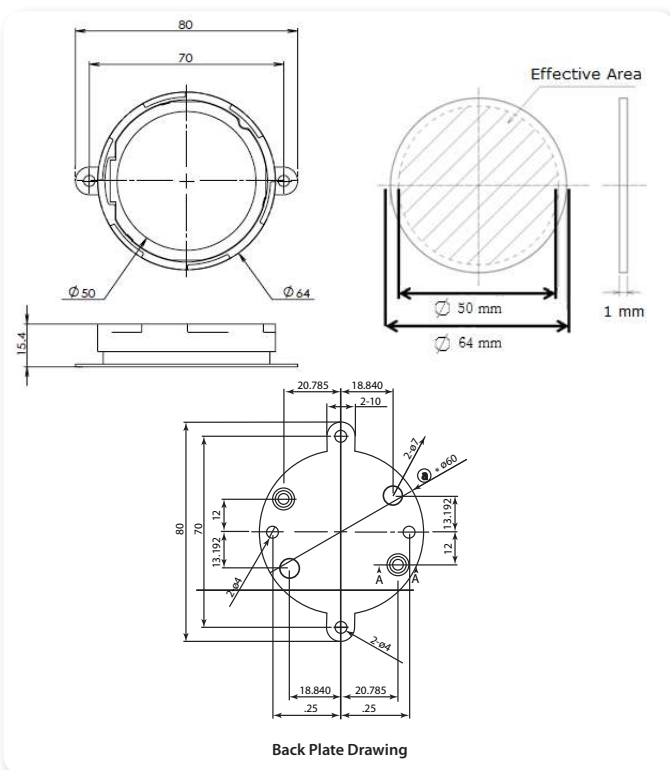


Color Uniformity

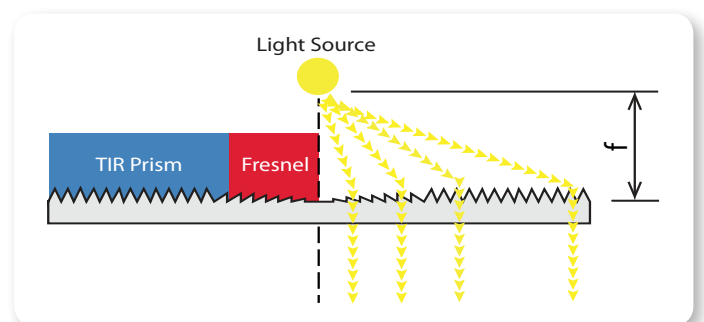


Our newly developed lens provides higher quality color uniformity and a significantly smaller structure when compared with conventional lenses.

Mechanical Drawings



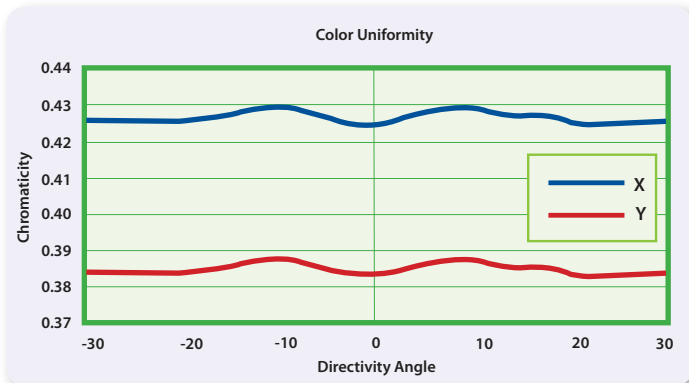
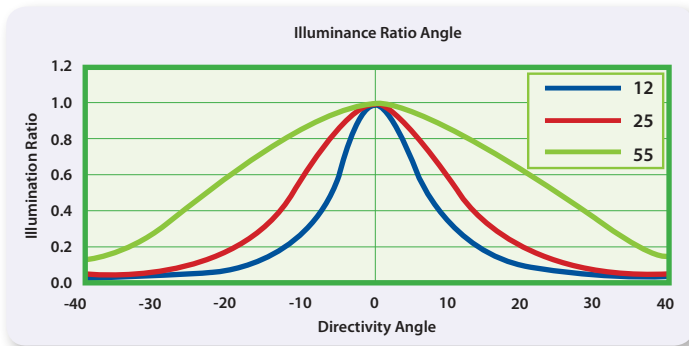
Ultra Thin Lens Detail



NEW Optical Lens Technology from Minebea

NMB Part Number	Beam Angle (Degree)	Center Beam Candlepower (CBCP)	Color Rendering Index (CRI)	Color Temperature (CCT)	Rated Lumens	Lumens Per Watt	Module Efficiency (K)
UL64064-L01	12	4730	80	5000	780	78	93
UL64064-L02	25	2840	80	5000	780	78	93
UL64064-L03	55	1120	80	5000	780	78	93
UL64064-L04	12	4680	80	4000	790	79	93
UL64064-L05	25	2830	80	4000	790	79	93
UL64064-L06	55	1110	80	4000	790	79	93
UL64064-L07	12	4480	80	3000	715	71.5	93
UL64064-L08	25	2500	80	3000	715	71.5	93
UL64064-L09	55	1010	80	3000	715	71.5	93
UL64064-L10	12	3980	80	2700	685	68.5	93
UL64064-L11	25	2430	80	2700	685	68.5	93
UL64064-L12	55	920	80	2700	685	68.5	93

Directional Characteristics



Minebea
Passion to Exceed Precision

Japan Sales Headquarters

Minebea
 3-9-6 Mita
 Minato-ku
 Tokyo 108-8330
 Tel: 81-3-6758-6711
 Fax: 81-3-6758-6700
www.minebea.co.jp

European Sales Office

NMB-Minebea-GmbH
 Siemens Str. 30, D-63225
 Langen, Germany
 Tel: 49-6103-913-0
 Fax: 49-6103-913-220
info_de@nmb-minebea.com
www.nmb-minebea.de

US Sales Office

NMB Technologies Corporation
 9730 Independence Avenue
 Chatsworth, California 91311
 Tel: 818-341-3355
 Fax: 818-341-8207
lighting@nmbtc.com
www.nmbtc.com