

2134611-1 ✓ ACTIVE

Buchanan WireMate

TE Internal #: 2134611-1

Poke-In Connectors, Wire-to-Board, 1 Position, Printed Circuit Board / Wire & Cable, Height .097 in [2.48 mm], Surface Mount, 24 – 26 AWG Wire Size

[View on TE.com >](#)



Connectors > Lighting Connectors > Poke-In Connectors



Connector System: **Wire-to-Board**

Number of Positions: 1

Connector & Contact Terminates To: **Printed Circuit Board, Wire & Cable**

Connector Height: **2.48 mm [.097 in]**

Termination Method to Printed Circuit Board: **Surface Mount**

Features

Product Type Features

Product Line	Poke-In
Connector System	Wire-to-Board
Connector & Contact Terminates To	Printed Circuit Board, Wire & Cable

Configuration Features

Number of Positions	1
---------------------	---

Electrical Characteristics

Operating Voltage	250 VAC
-------------------	---------

Body Features

Header Mating Direction	Horizontal
Primary Product Color	Natural

Contact Features

Contact Fabrication	Stamped & Formed
PCB Contact Termination Area Plating Material Thickness	3 µm[118.11 µin]



Contact Layout	Inline
Contact Mating Area Plating Material Thickness	3 μm[118 μin]
Contact Mating Area Plating Material	Tin
PCB Contact Termination Area Plating Material	Tin
Contact Current Rating (Max)	3 A, 4 A

Termination Features

Termination Method to Printed Circuit Board	Surface Mount
---	---------------

Mechanical Attachment

PCB Mount Retention	Without
---------------------	---------

Dimensions

Connector Height	2.48 mm[.097 in]
Wire Size	24 – 26 AWG

Usage Conditions

Operating Temperature Range	-25 – 130 °C[-13 – 266 °F]
-----------------------------	----------------------------

Industry Standards

Agency/Standard	UL
Approved Standards	UL E28476
UL Flammability Rating	UL 94V-0

Packaging Features

Packaging Method	SMT Pocket Tape
------------------	-----------------

Product Compliance

[For compliance documentation, visit the product page on TE.com>](#)

EU RoHS Directive 2011/65/EU	Compliant
EU ELV Directive 2000/53/EC	Compliant
China RoHS 2 Directive MIIT Order No 32, 2016	No Restricted Materials Above Threshold
EU REACH Regulation (EC) No. 1907/2006	Current ECHA Candidate List: JUNE 2023 (235) Candidate List Declared Against: JAN 2023 (233) Does not contain REACH SVHC
Halogen Content	Low Halogen - Br, Cl, F, I < 900 ppm per homogenous material. Also BFR/CFR/PVC Free



Solder Process Capability

Reflow solder capable to 260°C

Product Compliance Disclaimer

This information is provided based on reasonable inquiry of our suppliers and represents our current actual knowledge based on the information they provided. This information is subject to change. The part numbers that TE has identified as EU RoHS compliant have a maximum concentration of 0.1% by weight in homogenous materials for lead, hexavalent chromium, mercury, PBB, PBDE, DBP, BBP, DEHP, DIBP, and 0.01% for cadmium, or qualify for an exemption to these limits as defined in the Annexes of Directive 2011/65/EU (RoHS2). Finished electrical and electronic equipment products will be CE marked as required by Directive 2011/65/EU. Components may not be CE marked. Additionally, the part numbers that TE has identified as EU ELV compliant have a maximum concentration of 0.1% by weight in homogenous materials for lead, hexavalent chromium, and mercury, and 0.01% for cadmium, or qualify for an exemption to these limits as defined in the Annexes of Directive 2000/53/EC (ELV). Regarding the REACH Regulation, the information TE provides on SVHC in articles for this part number is based on the latest European Chemicals Agency (ECHA) 'Guidance on requirements for substances in articles' posted at this URL: <https://echa.europa.eu/guidance-documents/guidance-on-reach>

Compatible Parts



TE Part # 2834171-3
ULTRAMINIATURE SLIM CONTACT



TE Part # 2324697-3
PUSH GRIP CONNECTOR 3P

Customers Also Bought



TE Part #5499910-6
A/L UNIV HDR 26P VERT SHT LAT



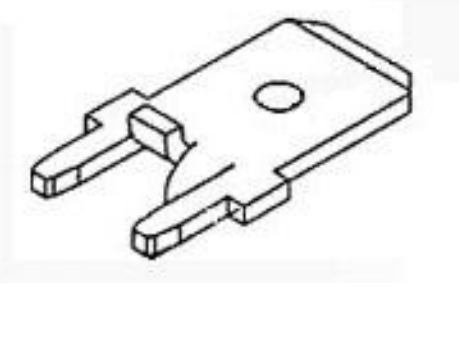
TE Part #2-292173-2
CT BOX HDR H SMT 2P O/TAPE BLA



TE Part #3-2328724-1
31PIN 0.3MMP FPC CONNECTOR, FRONT FLIP



TE Part #5556416-1
MJ,TE,8P



TE Part #1217167-1
250 FASTON,PCB TAB,TCBR



TE Part #2154829-1
High Power Inverted Thru Board Con 2 Pos



TE Part #1-2176328-3
CRGP 1206 100R 1%



TE Part #5-1612773-1
SEMI-HARD TRAY DDR SODIMM 200P



Documents

Product Drawings

[Micro poke in assembly](#)

English

CAD Files

[Customer View Model](#)

[ENG_CVM_CVM_2134611-1_J.2d_dxf.zip](#)

English

[3D PDF](#)

3D

[Customer View Model](#)

[ENG_CVM_CVM_2134611-1_J.3d_igs.zip](#)

English

[Customer View Model](#)

[ENG_CVM_CVM_2134611-1_J.3d_stp.zip](#)

English

By downloading the CAD file I accept and agree to the [Terms and Conditions](#) of use.

Datasheets & Catalog Pages

[Buchanan WireMate Micro Poke-In](#)

English

[BUCHANAN WireMate Connectors Brochure](#)

[BUCHANAN WireMate Connectors Brochure](#)

English

Product Specifications

[Application Specification](#)

Japanese

Product Environmental Compliance

[TE Material Declaration](#)

English

Agency Approvals

[UL Report](#)

English

2134611-1

Poke-In Connectors, Wire-to-Board, 1 Position, Printed Circuit Board / Wire & Cable,
Height .097 in [2.48 mm], Surface Mount, 24 – 26 AWG Wire Size

