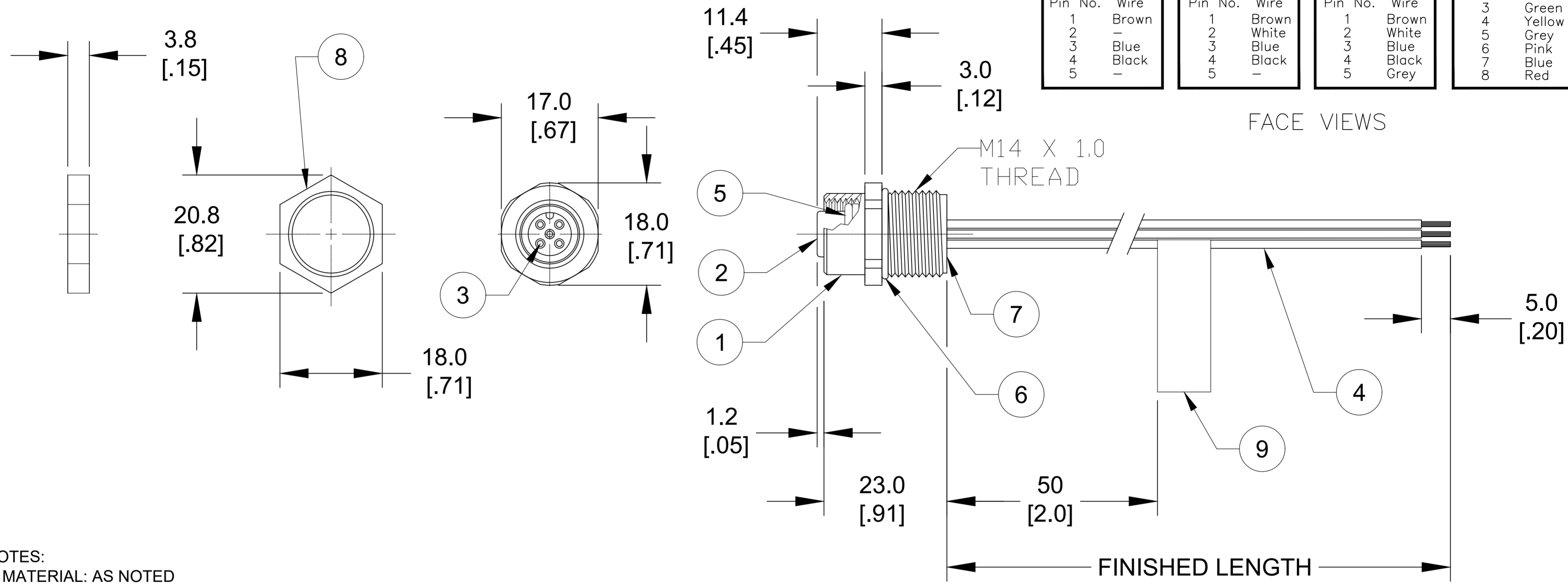
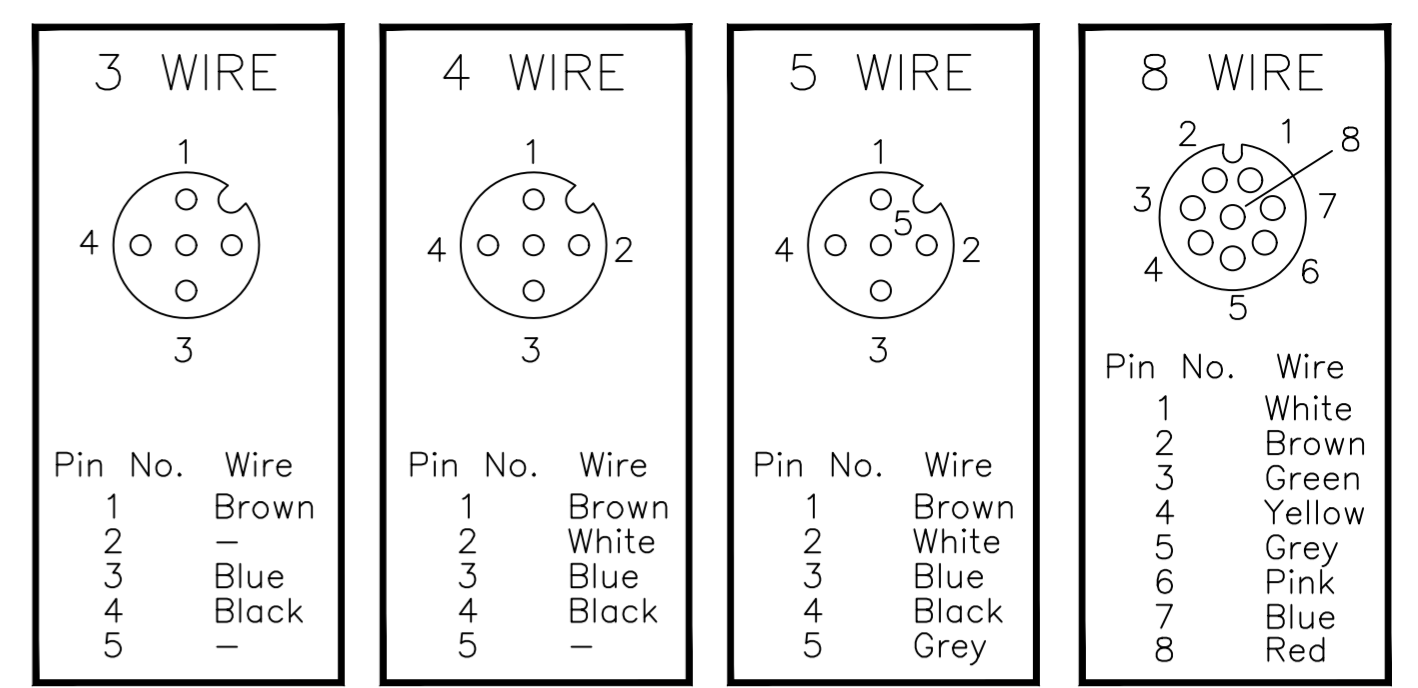
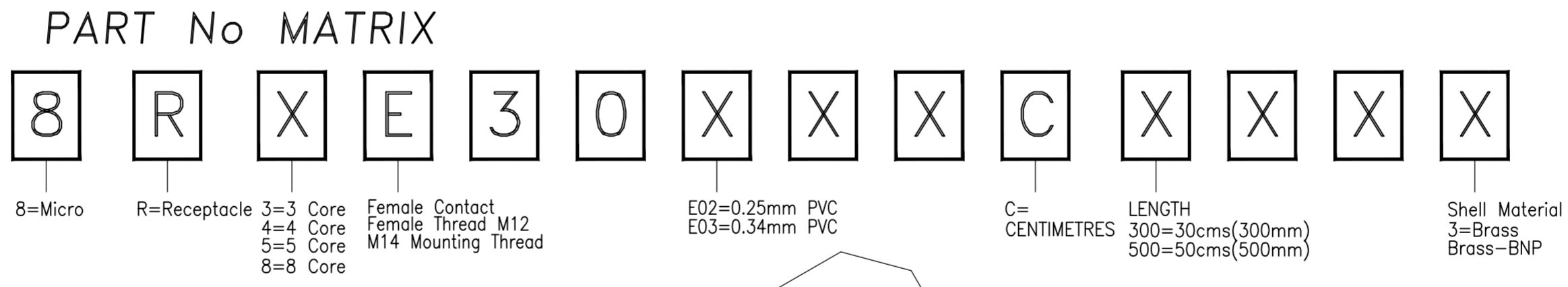


PART NO.	POLES	ENGINEERING NO.	SHELL MATERIAL	FINISH	WIRE GAGE	FINISHED LENGTH
1200110013	4	8R4E30E03C3003	BRASS	NICKEL PLATE	22	3CM [11.8 IN.]
1200110474	4	8R4E30E03C6003	BRASS	NICKEL PLATE	22	6CM [23.6 IN.]
1200110033	5	8R5E30E03C3003	BRASS	NICKEL PLATE	22	3CM [11.8 IN.]
1200708079	8	8R8E30E03C3001	ST. STEEL		22	3CM [11.8 IN.]
1200110330	8	8R8E30E03C3003	BRASS	NICKEL PLATE	22	3CM [11.8 IN.]



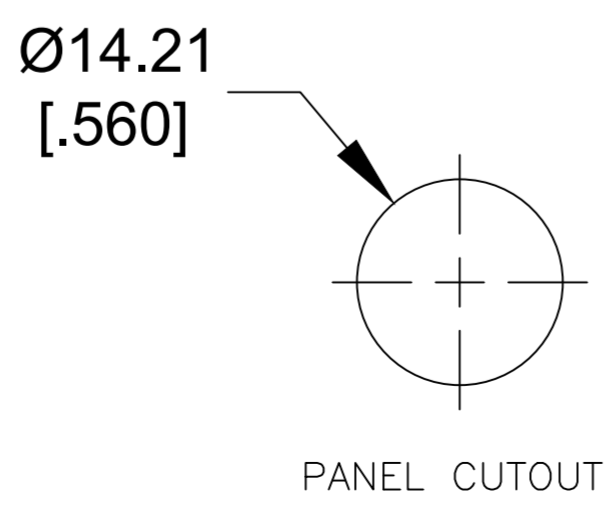
- NOTES:
- MATERIAL: AS NOTED
  - FINISH: AS NOTED
  - ELECTRICAL:  
VOLTAGE: 250V (3, 4 & 5 POLE)  
CURRENT: 4A  
VOLTAGE: 30VAC/36VDC (8 POLE)  
CURRENT: 2A
  - TEMP RATING: -25°C TO +105°C
  - PROTECTION: IP67 (WHEN MATED)
  - COUPLING THREAD: M12 X 1.0
  - ALL DIMS ARE FOR REFERENCE UNLESS TOLERANCED OR NOTED OTHERWISE



CABLE LENGTH TOLERANCES

>.3M [1FT]:	+19mm-0 [+ .75in-0]
.3 - .9M [1 - 3FT]:	+44.5mm-0 [+1.75in-0]
.9 - 1.8M [3 - 6FT]:	+55.6mm-0 [+2.19in-0]
1.8 - 3.7M [6 - 12FT]:	+88.9mm-0 [+3.50in-0]
3.7 - 7.3M [12 - 24FT]:	+165.1mm-0 [+6.50in-0]
7.3-14.6M [24 - 48FT]:	+317.5mm-0 [+12.50in-0]
14.6 - 30.5M [48-100FT]:	+622.3mm-0 [+24.50in-0]
OVER 30M [100FT]	+2% OF FINISHED LENGTH

PRE-RELEASE  
REFERENCE  
USE ONLY



REF. THIS DRAWING SUPERSEDES 8RE30XXXCXXXX REV-B

ITEM	DESCRIPTION	MATERIAL	FINISH
9	FLAG LABEL	VINYL	BLACK/YELLOW
8	PANEL NUT	STEEL	NICKEL PLATED
7	POTTING MATERIAL	PUR	
6	O-RING (PANEL SEAL)	NITRILE	BLACK
5	O-RING (MATING)	VITON	RED
4	WIRE (UL1569)	PVC INSULATION	SEE FACE VIEWS
3	CONTACT SOCKET	COPPER ALLOY	GOLD PLATED
2	FEMALE INSERT	PUR	BLACK
1	RECEPTACLE SHELL	SEE P/N CHART	SEE P/N CHART
ITEM	DESCRIPTION	MATERIAL	FINISH

THIS DRAWING CONTAINS INFORMATION THAT IS PROPRIETARY TO MOLEX ELECTRONIC TECHNOLOGIES, LLC AND SHOULD NOT BE USED WITHOUT WRITTEN PERMISSION

DIMENSION UNITS	SCALE	CURRENT REV DESC: INITIAL RELEASE, SUPERSEDES 8RXE30XXXCXXXX
MM/INCH	---	
GENERAL TOLERANCES (UNLESS SPECIFIED)		EC NO: ----
4 PLACES	±----	DRWN: RSTONE 2019/12/11
3 PLACES	±----	CHK'D: MZIELINSKI 2020/01/06
2 PLACES	±----	APPR: ----
1 PLACE	±----	INITIAL REVISION:
0 PLACES	±----	DRWN: RSTONE 2019/12/11
ANGULAR TOL ±	----	APPR: ----
DRAFT WHERE APPLICABLE MUST REMAIN WITHIN DIMENSIONS		THIRD ANGLE PROJECTION
		DRAWING C-SIZE
		SERIES 120011
DOCUMENT NUMBER		DOC TYPE
1200110013		PSD
MATERIAL NUMBER		DOC PART
SEE P/N CHART		000
CUSTOMER		REVISION
---		1
SHEET NUMBER		
1 OF 1		