



# 5W Fixed Blade USB Charger - UK



UK  
CA

## Features

- Fixed Blade
- Halogen Free
- Low Profile
- Low Cost
- Halogen Free
- Ecodesign/ErP Lot 7 (EU) 2019/1782 Compliance
- The charging scheme: Data Lines (Pins 2 and 3) Shorted

## Applications

- Smart Phones
- PDAs
- Personal Electronics
- Digital Cameras

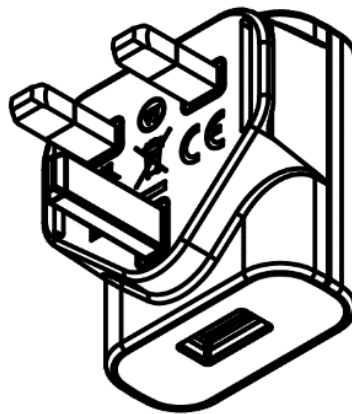
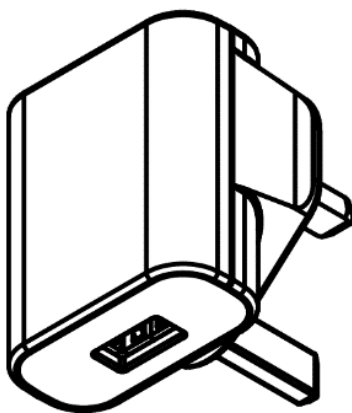
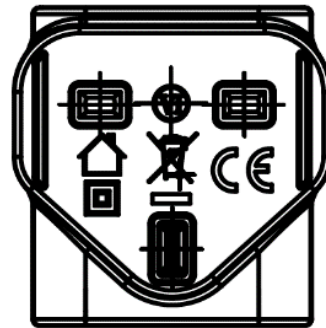
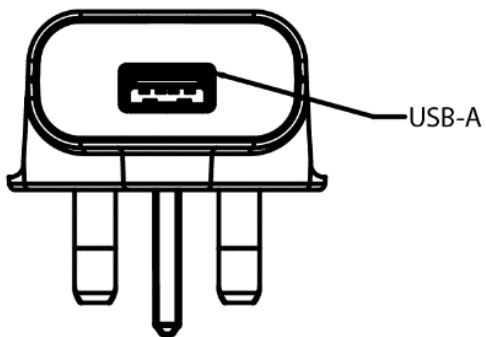
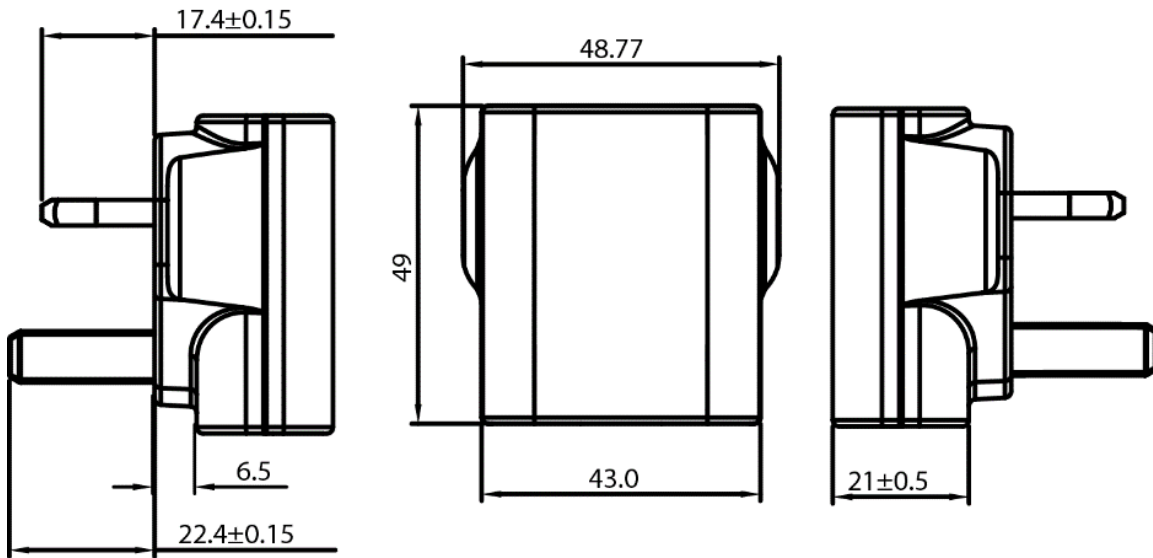


# PSA05K Specifications<sup>1</sup>

| Model                    |   | PSA05K-050QL6-H <sup>2</sup>   | PSA05K-050QL6WS-H <sup>2</sup> |
|--------------------------|---|--|--------------------------------|
| Output                   | DC Output Voltage   | 5.0V   |                                |
|                          | Max Current   | 1.0A   |                                |
|                          | Output Power  | 5.0W   |                                |
|                          | Regulation  | ± 5%   |                                |
|                          | Ripple & Noise P-P(max) <sup>3</sup>  | 200mV  |                                |
| Input                    | AC Input Voltage Range  | 90 to 264VAC   |                                |
|                          | AC Input Frequency  | 47 to 63Hz   |                                |
|                          | Input Current   | 0.15A(RMS) max   |                                |
|                          | No Load Power Consumption at 115VAC Input   | 0.024W   |                                |
|                          | No Load Power Consumption at 230VAC Input   | 0.030W   |                                |
|                          | 115VAC Average Efficiency <sup>4</sup>  | 78.71%   |                                |
|                          | 230VAC Average Efficiency <sup>4</sup>  | 76.35%   |                                |
|                          | Leakage Current   | 5uA max  |                                |
| Protection               | Over-Voltage  | 7.0V max   |                                |
|                          | Short Circuit   | Auto restart   |                                |
|                          | Over-Current  | 1.5A max   |                                |
| Environmental            | Operating Temperature   | 0°C to +40°C   |                                |
|                          | Non-Operating Temperature   | -40° to +85°C  |                                |
|                          | Operating Humidity  | 90% RH max   |                                |
| Safety Approvals and EMC | Dielectric Withstand (HI-POT)   | Primary to Secondary: 3000VAC for 1min, 10mA   |                                |
|                          | Insulation Resistance   | Primary to Secondary: 10M ohm for 500VDC   |                                |
|                          | Standards   | IEC 62368-1  |                                |
|                          | EMI Emissions   | EN 55032/CISPR 32 Class B Conducted and Radiated   |                                |
|                          | Harmonic Current Emissions  | IEC 61000-3-2  |                                |
|                          | Voltage Fluctuations & Flicker  | IEC 61000-3-3  |                                |
|                          | Immunity  | EN 55035/CISPR 35: IEC 61000-4-2 (Contact:+/- 4KV, Air:+/- 8KV), IEC 61000-4-3, IEC 61000-4-4, IEC 61000-4-5 (+/- 1kV), IEC 61000-4-6, IEC 61000-4-8, IEC 61000-4-11 |                                |
| Mechanical               | Dimensions (L x W x H)  | 49.0mm (1.93in) x 48.8mm (1.92in) x 43.4mm (1.71in)  |                                |
|                          | Weight  | -  |                                |
|                          | DC Output Connector   | USB-A  |                                |
|                          | Case Color  | Black  | White                          |
| Notes                    | <ol style="list-style-type: none"> <li>The specifications defined are at ambient temperature of 25C, unless otherwise specified.</li> <li>Special order item. Minimum order quantity applies.</li> <li>20MHz bandwidth frequency oscilloscope, add a 0.1µF multilayer Cap. and Low ESR Electrolytic Cap. (10µF) at output connector terminals (nominal line voltage, full load).</li> <li>Efficiency is measured after 30 minutes burn-in.</li> </ol> |  |                                |



# PSA05K Outline Drawing



**Supplier's Declaration of Conformity**  
**47 CFR § 2.1077 Compliance Information**

Phihong USA Corporation  
47800 Fremont Boulevard  
Fremont, CA 94538  
Telephone: (510) 445-0100  
[www.phihong.com](http://www.phihong.com)

NOTE: This model has/The models in this products series have been tested and found to comply with the limits for a Class B digital device, pursuant to part 15 of the FCC Rules. These limits are designed to provide reasonable protection against harmful interference in a residential installation. This equipment generates, uses and can radiate radio frequency energy and, if not installed and used in accordance with the instructions, may cause harmful interference to radio communications. However, there is no guarantee that interference will not occur in a particular installation. If this equipment does cause harmful interference to radio or television reception, which can be determined by turning the equipment off and on, the user is encouraged to try to correct the interference by one or more of the following measures:

- Reorient or relocate the receiving antenna.
- Increase the separation between the equipment and receiver.
- Connect the equipment into an outlet on a circuit different from that to which the receiver is connected.
- Consult the dealer or an experienced radio/TV technician for help.

Changes or modifications to equipment not expressly approved by PHIHONG could void the user's authority to operate the equipment.



# USB Cables – Sold Separately

## Unit: mm

|                        |   |
|------------------------|---|
| Part no: IP-USB1(C10)S | Desc: USB-A to Micro-B – 1 Meter – Black                      |
|                        |   |
| Part no: IPUSB1CS      | Desc: USB to Mini-B – 1.5 Meter – Black                       |
|                        |   |
| Part no: IPUSB1MS      | Desc: USB-A to Micro-B – 1.5 Meter – Black                    |
|                        |   |
| Part no: IPUSB1M5LD    | Desc: USB-A to Micro-B – 24AWG – Low Drop – 1.5 Meter – Black |
|                        |   |
| Part no: IPUSB1P5      | Desc: USB-A to Micro-B – 1 Meter – 24AWG – Black              |
|                        |   |
| Part no: IPUSB1P5W     | Desc: USB-A to Micro-B – 1 Meter – 24AWG – White              |
|                        |   |

|                       |  |
|-----------------------|--|
| Part no: IPUSB1MSW    | Desc: USB-A to Micro-B – 1.5 Meter – White   |
|                       |  |
| Part no: UES-1001A160 | Desc: Low Drop Type-C USB Cable – 1 Meter – 23AWG on Power – 30AWG on Data - Black |
|                       |  |
| Part no: UES-1003A160 | Desc: Low Drop Type-C USB Cable - 1 Meter – 23AWG on Power – 30AWG on Data - White |
|                       |  |