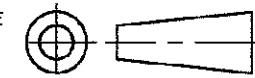


DO NOT SCALE
DIMENSIONS IN mm

METRIC

THIRD ANGLE
PROJECTION



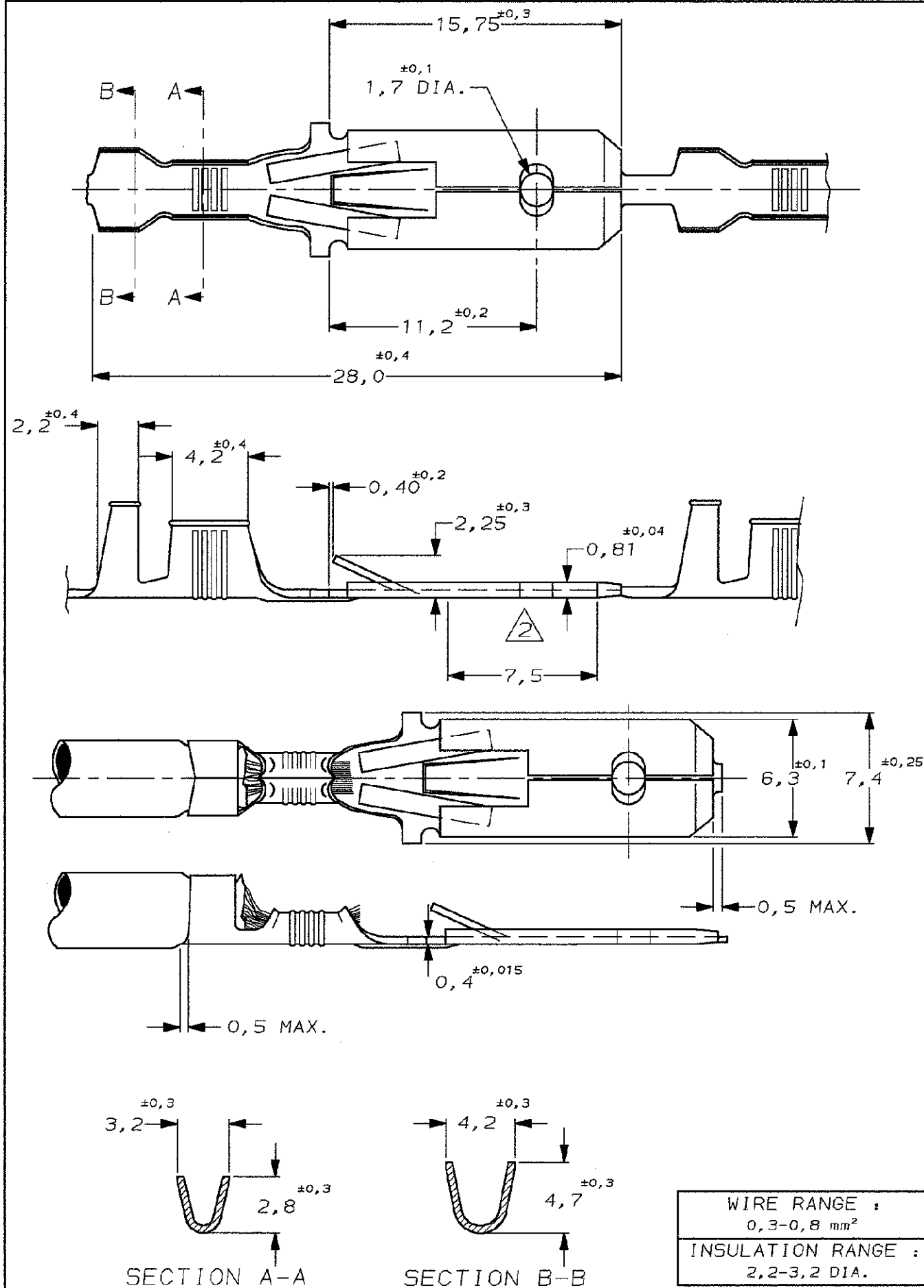
NOTES:

1 FOR USE ON MINIATURE APPLICATORS (LEFT-RIGHT FEED)
AMP-O-MATOR APPLICATION.

2 DIM 0,81^{±0,04} TO BE MEASURED OVER A LENGTH 7,5mm
AS INDICATED

3 OBSOLETE PARTS: OBSOLETE CIS STREAMLINING PER D.RENAUD/D.SINISI

UNPUBLISHED DRAWING : AMP RIGHTS RESERVED
This drawing is supplied to.....
.....for use by
.....
or its nominated suppliers for the purpose
of inspecting AMP-PRODUCTS.
AMP-HOLLAND B.V.
DATE.....
SIGNATURE.....



| REV | DESCRIPTION | BY | CHK | DATE | FINISH | MATERIAL | PARTNUMBER |
|---|-----------------------|-------|--------|-----------|----------------------------|---|------------|
| | | | | | | | |
| | | | | | TINPLATED | BRASS | 160645-2 |
| | | | | | UNPLATED | BRASS | 160645-1 |
| 3 OBSOLETE | | | | | | | |
| RESTRICTED CUSTOMER FOR REFERENCE ONLY WILL NOT BE UPDATED | | | | | | | |
| © COPYRIGHT 19- BY AMP HOLLAND B.V. ALL INTERNATIONAL RIGHTS RESERVED. AMP PRODUCTS MAY BE COVERED BY U.S. AND FOREIGN AND/OR PATENTS PENDING. THIS DRAWING IS UNPUBLISHED RELEASED FOR PUBLICATION | | | | | | | |
| | | | | | | AMP HOLLAND B.V. 's-Hertogenbosch, The Netherlands. | |
| 01 | REV PER ECO-10-000444 | KK | AEG | 09JAN10 | NAME | | |
| 0 | EH-0933-97 | D.K. | R.V. | 27 AUG 97 | .250 SRS FASTIN-FASTON TAB | | |
| LTR. | REVISION RECORD | DR. | CHK. | DATE | - | | |
| DR.: | D. KESSLER | CHK.: | R. VOS | APP.: | - | DWG.No. | REV.LTR. |
| DATE: | 27 AUG 97 | DATE: | - | DATE: | - | C-160645 | 01 |
| | | | | | | | SHEET |
| | | | | | | | 1 OF 1 |
| | | | | | | | A3 |