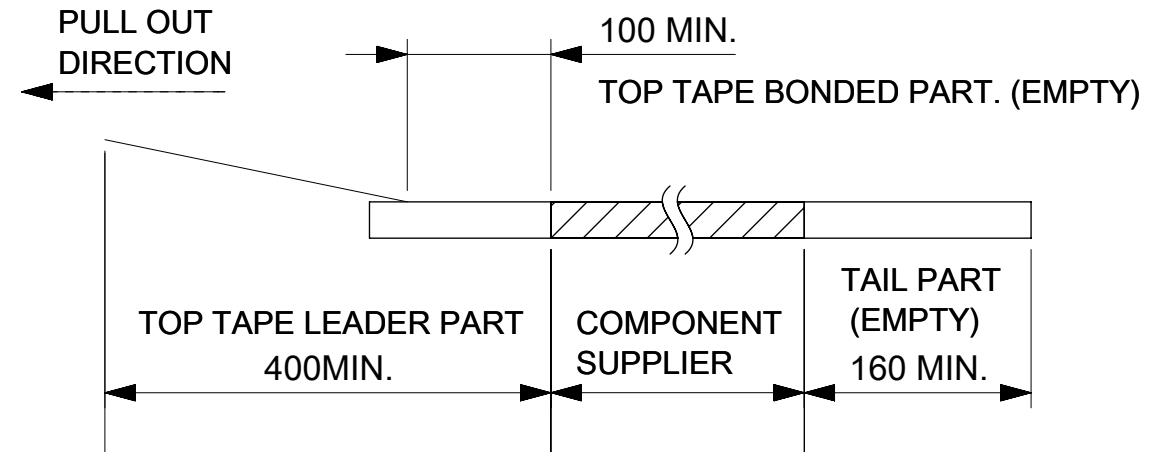
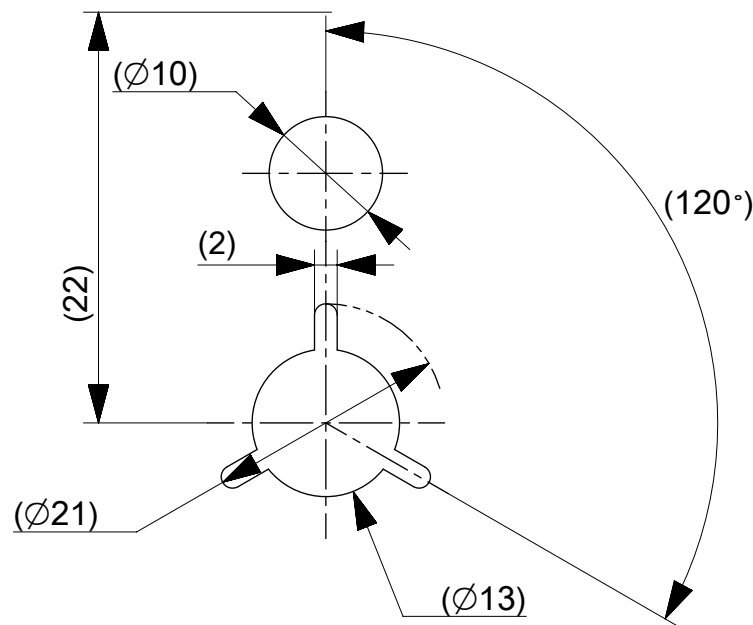


NOTES

- 1. RE DETAILED DIMENSION, SEE PRODUCT DRAWING.
- 2. NUMBER OF CONNECTORS : 20000PCS/REEL
- 3. LEAD TAPE LENGTH.

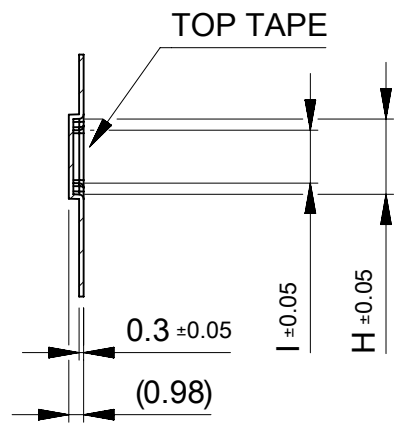


- 4. PEELING OFF FORCE OF THE TOP TAPE IS DEFINED BY IEC60286-3.
- 5. MATERIAL
 CARRIER TAPE : POLYSTYRENE OR PET
 TOP TAPE : PET , OTHER
 REEL : POLYSTYRENE (PS) < RECYCLE MATERIAL CONTAINED >
- 6. ELV AND RoHS COMPLIANT
- △7 CONFORM TO 2033909200-SPK_PS200 FOR PACKAGING SPECIFICATION.
- △8 CONFORM TO 2033909200-SPK_PS201 FOR PACKAGING SPECIFICATION.

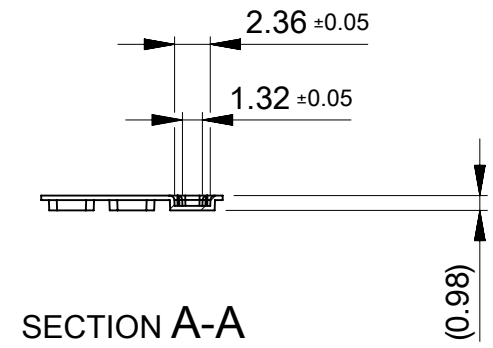
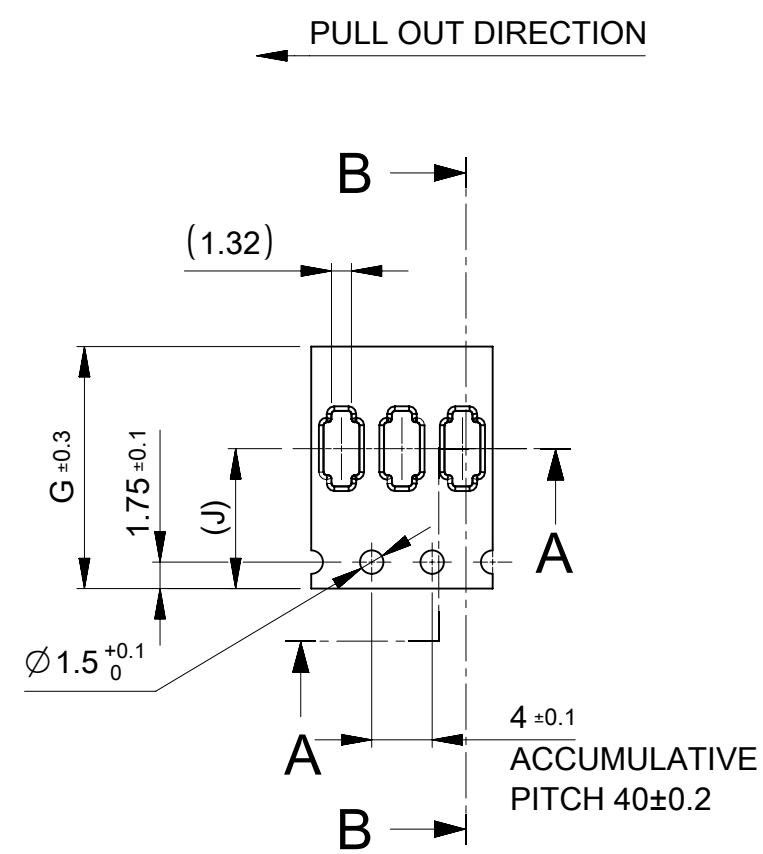


DETAIL "D"

THIS DRAWING CONTAINS INFORMATION THAT IS PROPRIETARY TO MOLEX ELECTRONIC TECHNOLOGIES, LLC AND SHOULD NOT BE USED WITHOUT WRITTEN PERMISSION									
DIMENSION UNITS		SCALE		CURRENT REV DESC:				molex	
mm		1:1							
GENERAL TOLERANCES (UNLESS SPECIFIED)				EC NO: 725424				0.175BB H=0.6 QUADROW PLUG EMBS PACKAGE	
ANGULAR TOL ± 3.0 °				DRWN: AISHII 2022/10/20				PRODUCT CUSTOMER DRAWING	
4 PLACES ± 0.03				CHK'D: YKOBAYASHI02 2022/10/20				DOCUMENT NUMBER	
3 PLACES ± 0.03				APPR: KSASAKI 2022/10/21				2033900000-SD	
2 PLACES ± 0.05				INITIAL REVISION:				DOC TYPE	
1 PLACE ± 0.1				DRWN: DGONDO 2020/06/25				PSD	
0 PLACES ± 0.2				APPR: YKOBAYASHI02 2020/07/07				DOC PART	
DRAFT WHERE APPLICABLE MUST REMAIN WITHIN DIMENSIONS				THIRD ANGLE PROJECTION		DRAWING		REVISION	
				A3-SIZE		SERIES		SHEET NUMBER	
				203390		MATERIAL NUMBER		1 OF 2	
				SEE CHART		CUSTOMER			
				GENERAL					



SECTION B-B

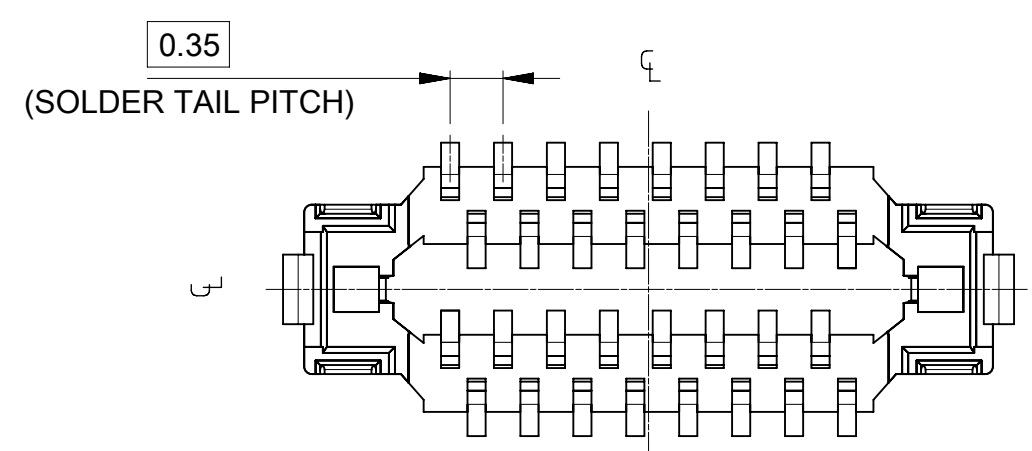
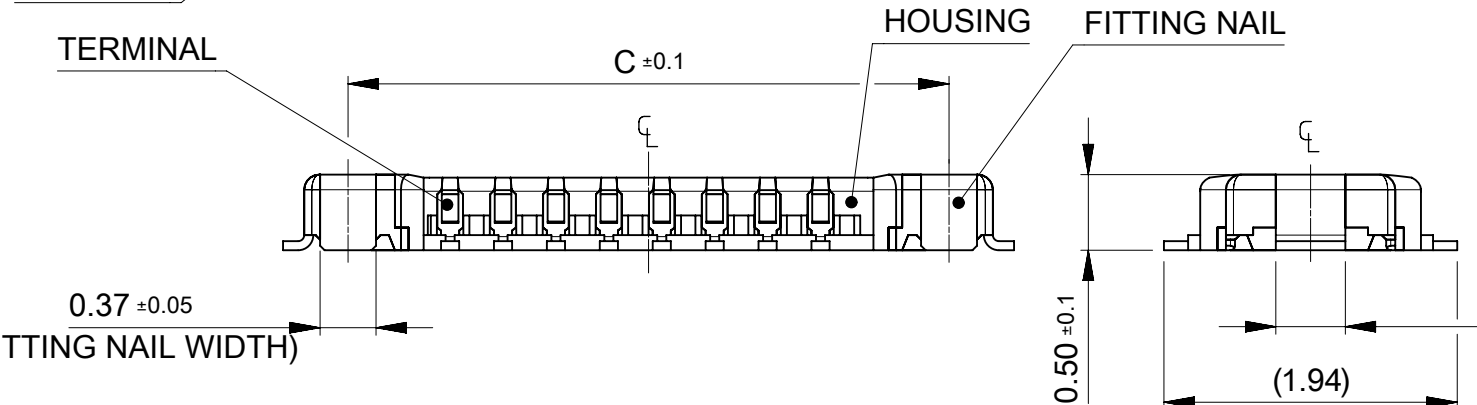
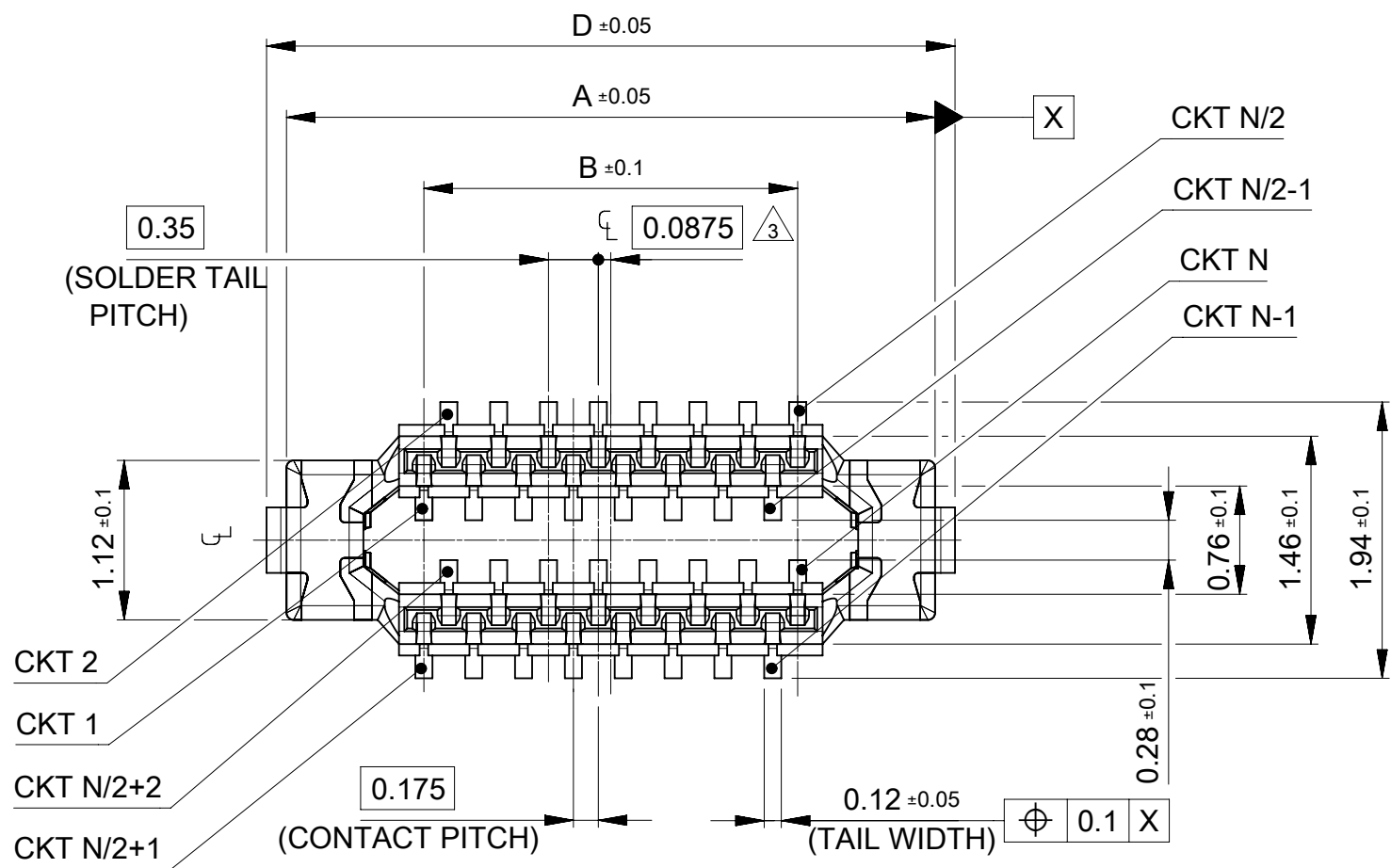


SECTION A-A

7.5	3.85	5.325	16	21.4	17.4	2033900363	2033900361	36
7.5	3.5	4.975	16	21.4	17.4	2033900323	2033900321	32
J	I	H	G	F	E	ORDER NO.	ORDER NO.	CIRCUIT
						PACKAGING SPEC: \triangle_8	PACKAGING SPEC: \triangle_7	

THIS DRAWING CONTAINS INFORMATION THAT IS PROPRIETARY TO MOLEX ELECTRONIC TECHNOLOGIES, LLC AND SHOULD NOT BE USED WITHOUT WRITTEN PERMISSION

DIMENSION UNITS	SCALE	CURRENT REV DESC:		molex
mm	2:1			
GENERAL TOLERANCES (UNLESS SPECIFIED)		EC NO: 725424		0.175BB H=0.6 QUADROW PLUG EMBS PACKAGE
ANGULAR TOL ± 3.0°		DRWN: AISHII 2022/10/20		
4 PLACES ± 0.03		CHK'D: YKOBAYASHI02 2022/10/20		PRODUCT CUSTOMER DRAWING
3 PLACES ± 0.03		APPR: KSASAKI 2022/10/21		
2 PLACES ± 0.05		INITIAL REVISION:		DOCUMENT NUMBER
1 PLACE ± 0.1		DRWN: DGONDO 2020/06/25		
0 PLACES ± 0.2		APPR: YKOBAYASHI02 2020/07/07		2033900000-SD
DRAFT WHERE APPLICABLE MUST REMAIN WITHIN DIMENSIONS		THIRD ANGLE PROJECTION	DRAWING	SERIES
			A3-SIZE	203390
		MATERIAL NUMBER	CUSTOMER	SHEET NUMBER
		SEE CHART	GENERAL	2 OF 2



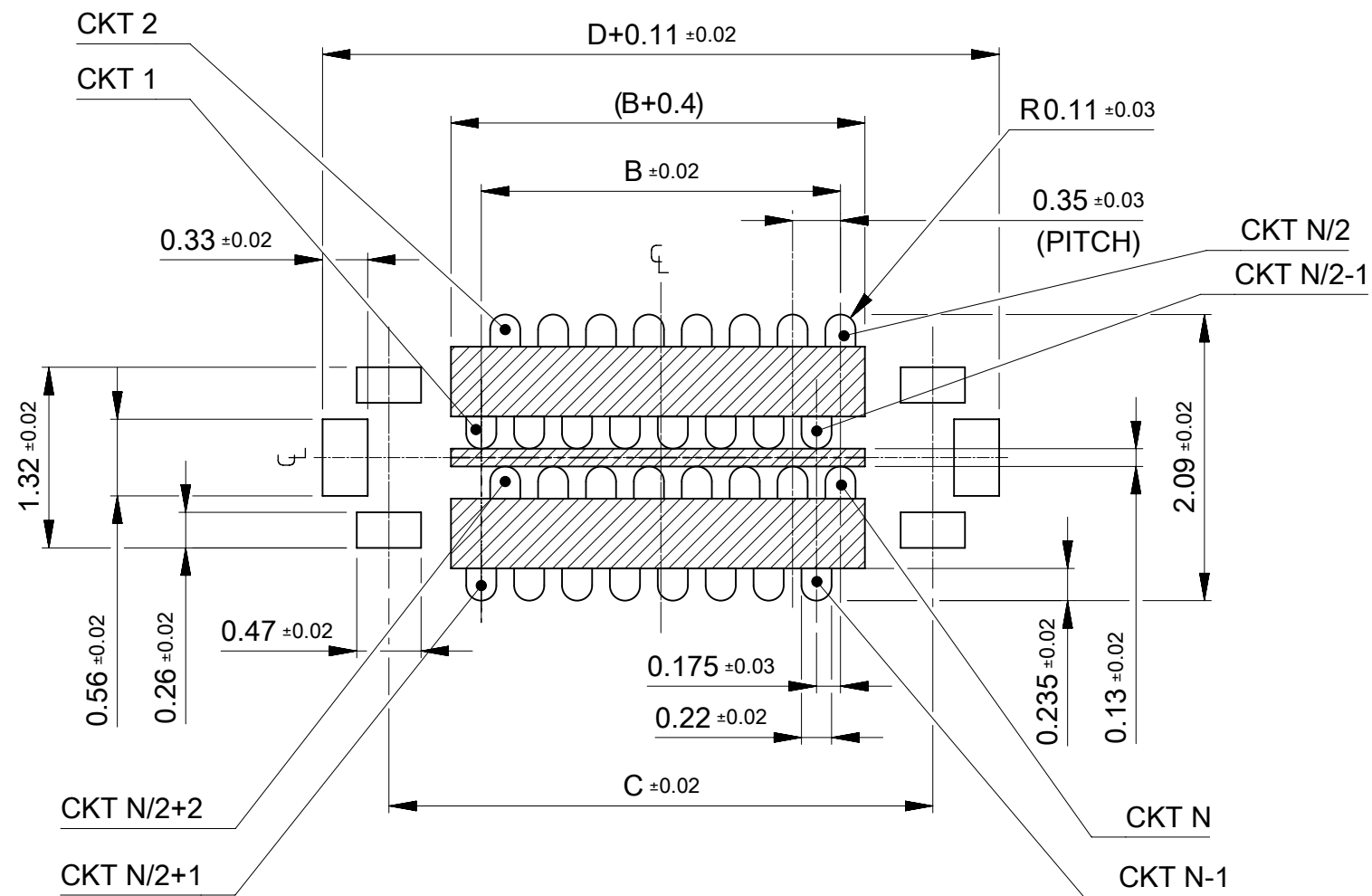
NOTES

- MATERIAL
HOUSING : LIQUID CRYSTAL POLYMER UL94V-0(COLOR : BLACK)
TERMINAL : COPPER ALLOY
FITTING NAIL : COPPER ALLOY
 - PLATING
TERMINAL
CONTACT AREA : GOLD 0.1 μm MIN.
TAIL AREA : GOLD 0.05 μm MIN.
UNDER PLATING : NICKEL 1.0 μm MIN.
*DIVIDE INTO PARTS THE GOLD PLATING OF CONTACT AND THE TAIL PART BY THE NICKEL PLATING.
*EITHER GOLD OR NICKEL PLATING IS ACCEPTABLE IN THE AREA WHICH IS NOT SPECIFIED AS CONTACT TAIL OR NICKEL BARRIER.
FITTING NAIL
CONTACT AREA : GOLD 0.1 μm MIN.
TAIL AREA : GOLD 0.05 μm MIN.
UNDER PLATING : NICKEL 1.0 μm MIN.
*DIVIDE INTO PARTS THE GOLD PLATING OF CONTACT AND THE TAIL PART BY THE NICKEL PLATING.
*EITHER GOLD OR NICKEL PLATING IS ACCEPTABLE IN THE AREA WHICH IS NOT SPECIFIED AS CONTACT TAIL OR NICKEL BARRIER.
- $\triangle 3$ APPLY FOR (CIRCUIT/4)=EVEN
4. MATE WITH : 2033890**1, 2033890**3
5. TAIL AND FITTING NAIL COPLANARITY TO BE 0.08mm MAXIMUM.
 $\triangle 6$ CONFORM TO 2033909200-SPK_PS200 FOR PACKAGING SPECIFICATION.
 $\triangle 7$ CONFORM TO 2033909200-SPK_PS201 FOR PACKAGING SPECIFICATION.

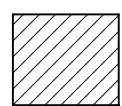
5.185	4.325	2.975	4.905	2033900363	2033900361	36
4.835	3.975	2.625	4.555	2033900323	2033900321	32
D	C	B	A	EMBOSSED TAPE PACKAGE	EMBOSSED TAPE PACKAGE	CIRCUIT
				ORDER No.	ORDER No.	
				PACKAGING SPEC: $\triangle 7$	PACKAGING SPEC: $\triangle 6$	

CONNECTOR SERIES No. : 203390***1

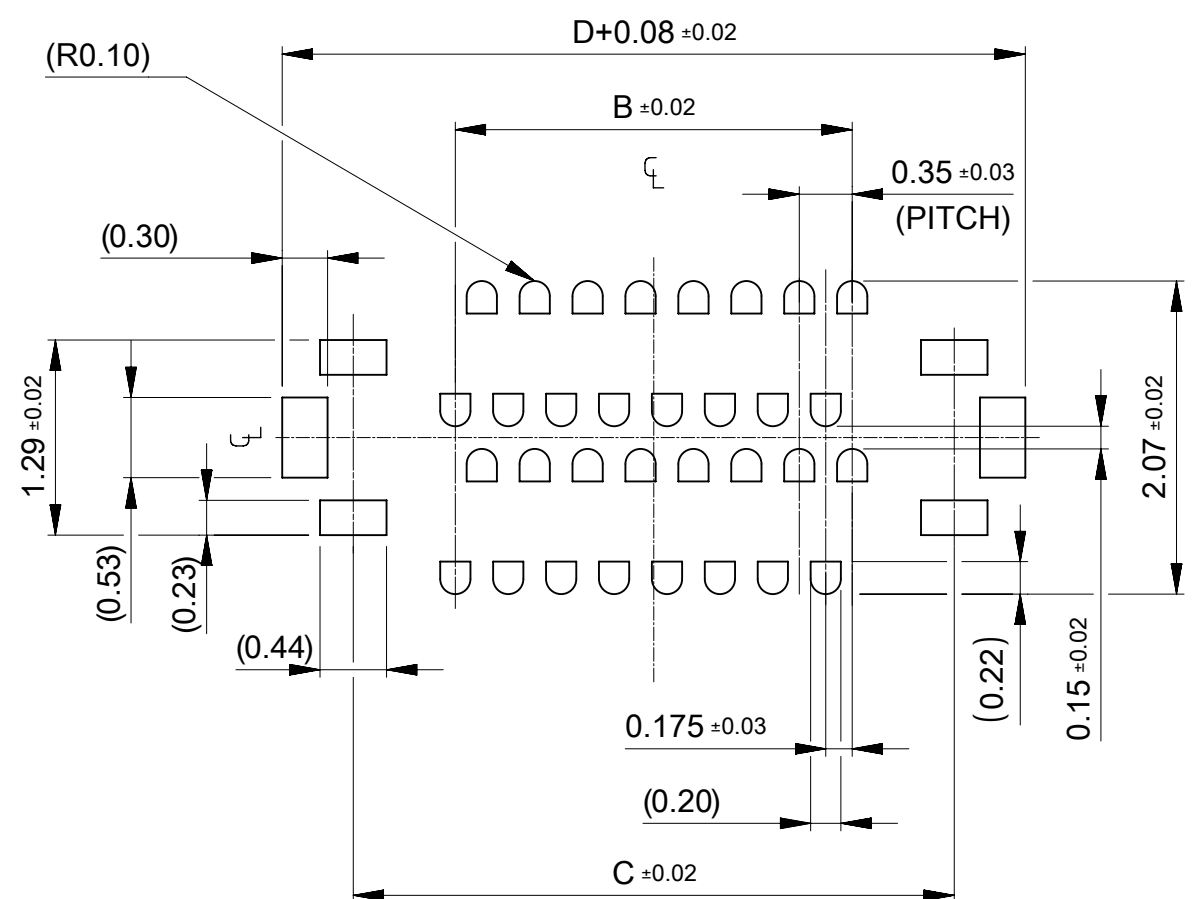
THIS DRAWING CONTAINS INFORMATION THAT IS PROPRIETARY TO MOLEX ELECTRONIC TECHNOLOGIES, LLC AND SHOULD NOT BE USED WITHOUT WRITTEN PERMISSION		CURRENT REV DESC:		molex	
DIMENSION UNITS	SCALE	EC NO: 725424			
mm	20:1	DRWN: AISHII 2022/10/20		0.175 BB H=0.6 QUAD ROW PLUG ASSY	
GENERAL TOLERANCES (UNLESS SPECIFIED)		CHK'D: YKOBAYASHI02 2022/10/20		PRODUCT CUSTOMER DRAWING	
ANGULAR TOL	$\pm 3.0^\circ$	APPR: KSASAKI 2022/10/21		DOCUMENT NUMBER	
4 PLACES	± 0.03	INITIAL REVISION:		DOC TYPE	
3 PLACES	± 0.03	DRWN: DGONDO 2020/06/25		DOC PART	
2 PLACES	± 0.05	APPR: YKOBAYASHI02 2020/07/07		REVISION	
1 PLACE	± 0.1	MATERIAL NUMBER		2033901000-SD	
0 PLACES	± 0.2	CUSTOMER		PSD 000 E	
DRAFT WHERE APPLICABLE MUST REMAIN WITHIN DIMENSIONS		THIRD ANGLE PROJECTION	DRAWING	SERIES	SHEET NUMBER
		\oplus \ominus	A3-SIZE	203390	1 OF 2



RECOMMENDED P.W.BOARD PATTERN LAYOUT (REFERENCE)
(SM OPENING DIMENSION)

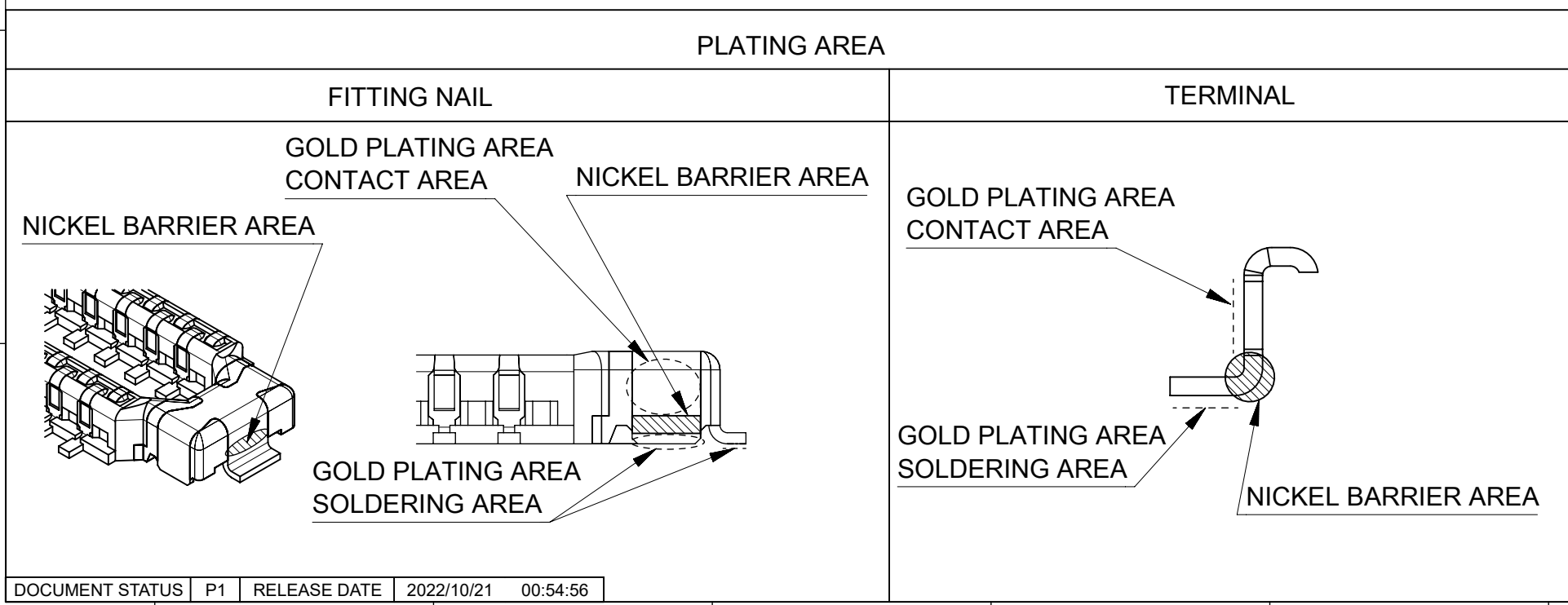


SOLDERING PROHIBITED AREA
WHEN WIRING IS LOCATED,
THE WIRING MUST BE MASKED BY COVER LAY OR RESIST FILM.



RECOMMENDED METAL MASK LAYOUT (REFERENCE)

RECOMMENDED THICKNESS OF METAL MASK : $t=0.08\text{mm}$
RECOMMENDED OPEN APERTURE RATIO OF METAL MASK : 80%



THIS DRAWING CONTAINS INFORMATION THAT IS PROPRIETARY TO MOLEX ELECTRONIC TECHNOLOGIES, LLC AND SHOULD NOT BE USED WITHOUT WRITTEN PERMISSION		CURRENT REV DESC:		molex	
DIMENSION UNITS	SCALE				
mm	20:1			0.175 BB H=0.6 QUAD ROW PLUG ASSY	
GENERAL TOLERANCES (UNLESS SPECIFIED)				PRODUCT CUSTOMER DRAWING	
ANGULAR TOL	± 3.0 °			DOCUMENT NUMBER	
4 PLACES	± 0.03	EC NO: 725424	2022/10/20	2033901000-SD	
3 PLACES	± 0.03	DRWN: AISHII	2022/10/20	DOC TYPE	DOC PART
2 PLACES	± 0.05	CHK'D: YKOBAYASHI02	2022/10/21	PSD	000
1 PLACE	± 0.1	APPR: KSASAKI	2022/10/21	REVISION	
0 PLACES	± 0.2	INITIAL REVISION:		E	
DRAFT WHERE APPLICABLE MUST REMAIN WITHIN DIMENSIONS		DRWN: DGONDO	2020/06/25	SHEET NUMBER	
THIRD ANGLE PROJECTION		APPR: YKOBAYASHI02	2020/07/07	SEE CHART	GENERAL
DRAWING		SERIES	MATERIAL NUMBER	CUSTOMER	
A3-SIZE		203390			