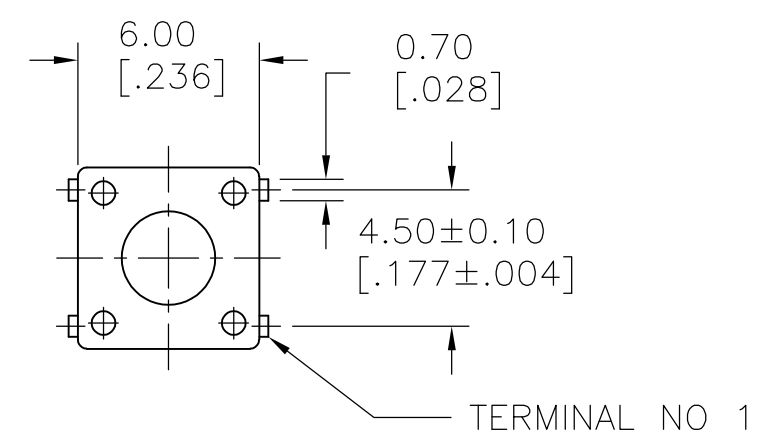
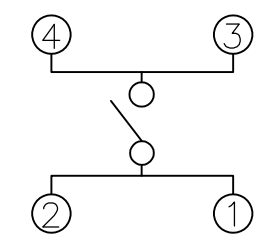


THIS DRAWING IS UNPUBLISHED. RELEASED FOR PUBLICATION
 © COPYRIGHT - By - ALL RIGHTS RESERVED.

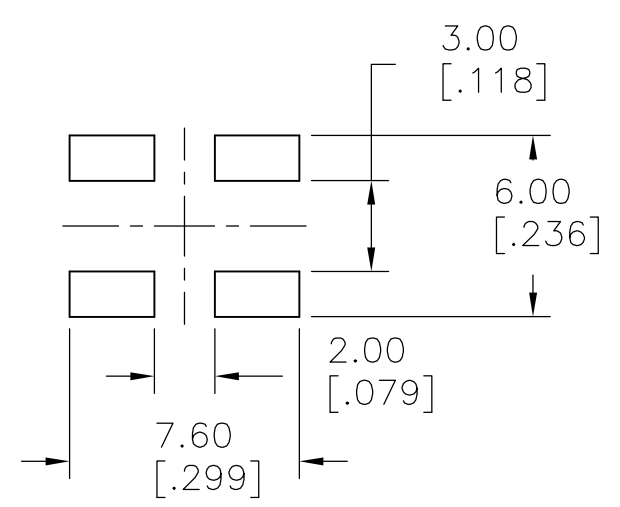
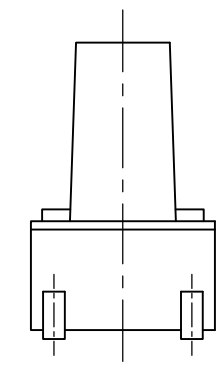
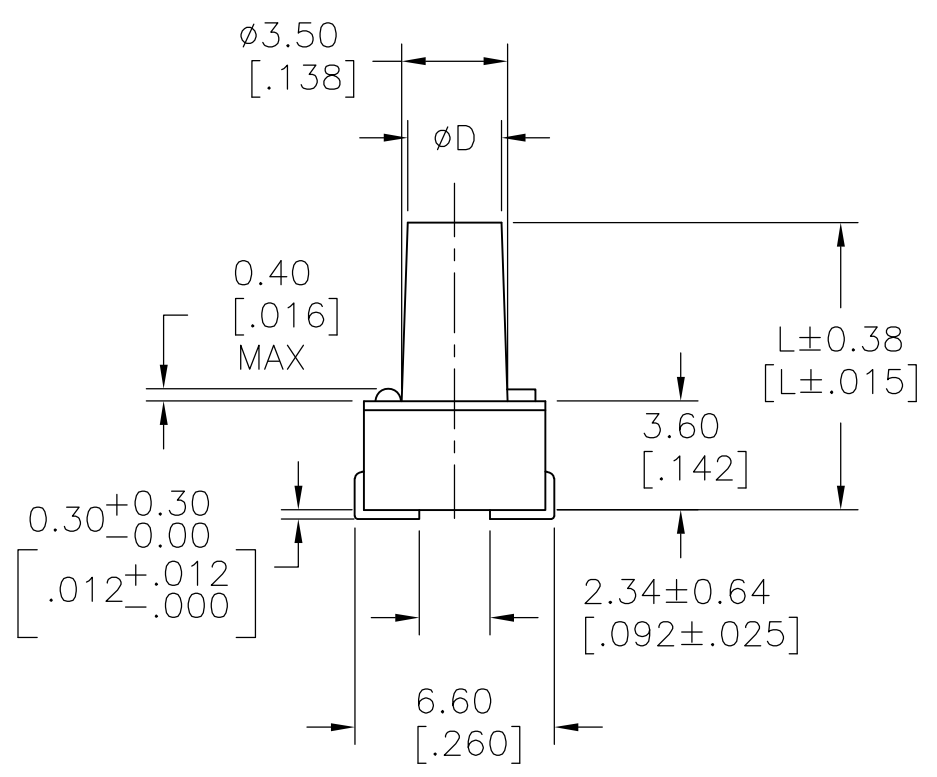
REVISIONS					
P	LTR	DESCRIPTION	DATE	DWN	APVD
	B	REVISED PER ECO-16-018632	05APR2017	SK	PO



CIRCUIT DIAGRAM



- 1 ACTUATOR TRAVEL: $0.25^{+0.2}_{-0.1}$ [$.010^{+.008}_{-.004}$].
- 2 CONTACT RESISTANCE: 100mΩ MAX.
- 3 ELECTRICAL RATING: 12VDC @ 50mA MAX.
- 4 OPERATING TEMP: -20° TO 70°C
45-85% RH
- 5 STORAGE TEMP: -30°C TO 80°C.
(96 HOURS MAX @ CONTINUOUS TEMP OF
-20°C TO -30°C AND 70°C TO 80°C).
- 6 OPERATING LIFE: 100,000 CYCLES.
- 7 RIGHT AND LEFT VARIATION HAVE TO BE
IN 0.10[.004] AFTER TERMINAL BENDING.



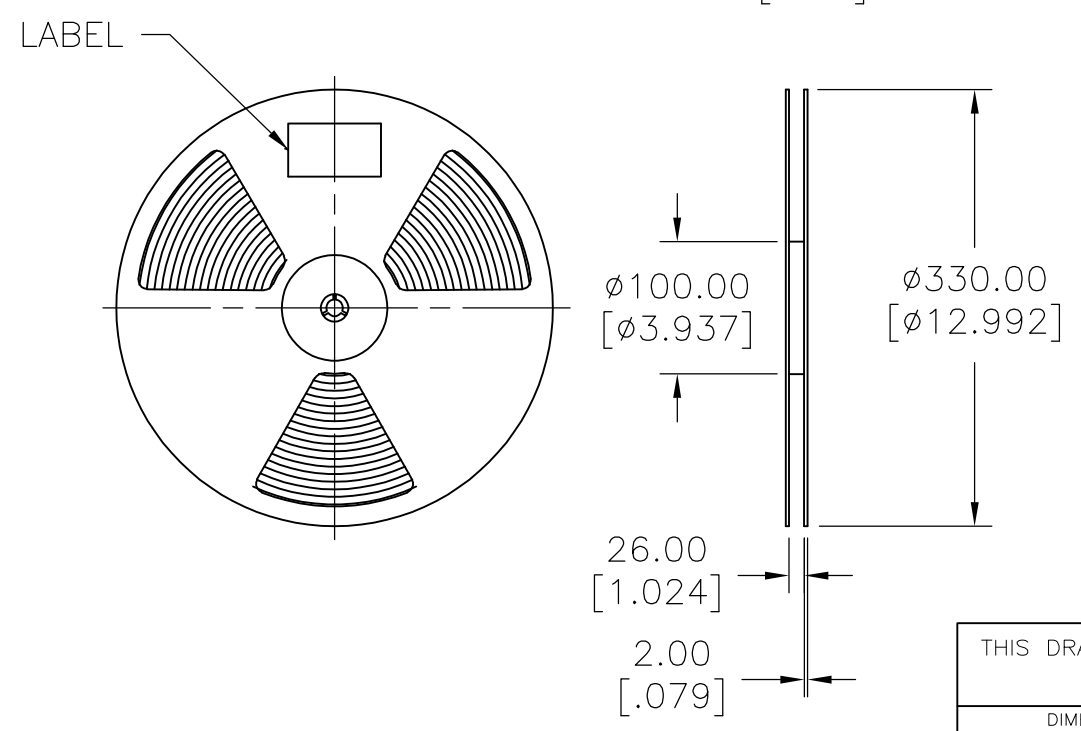
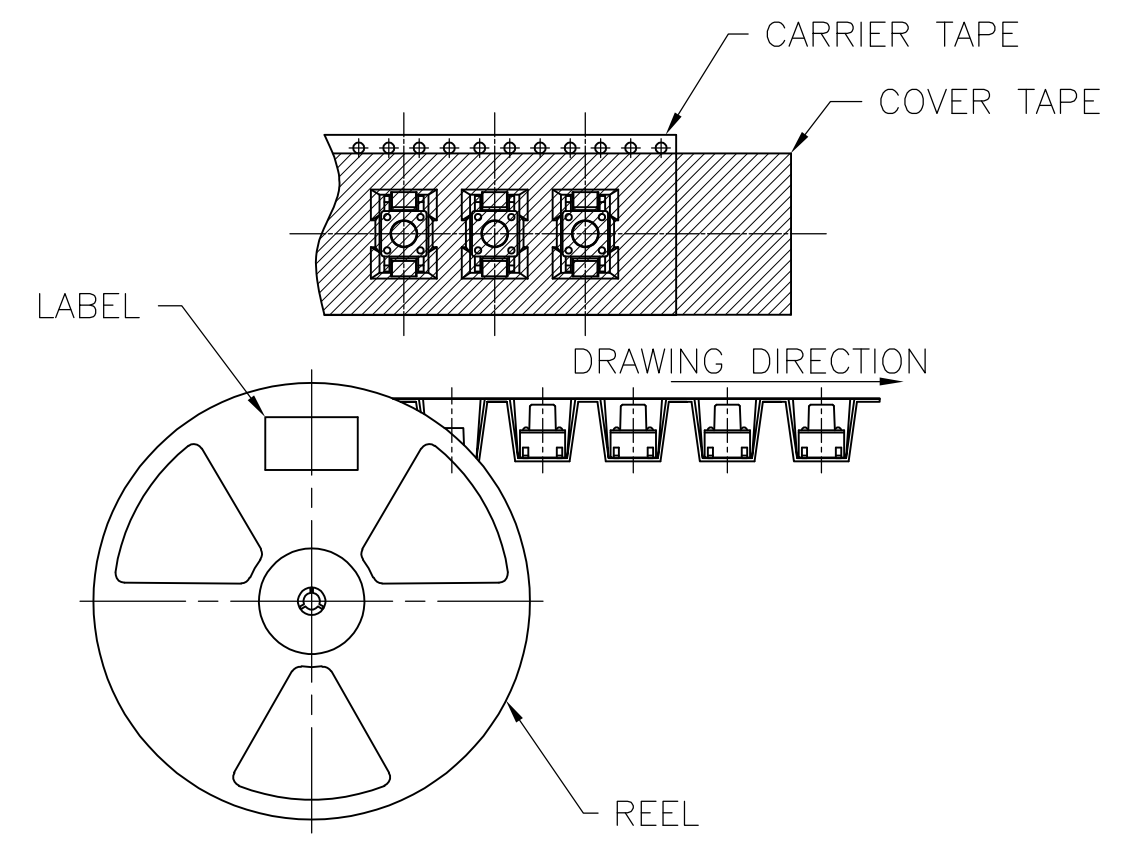
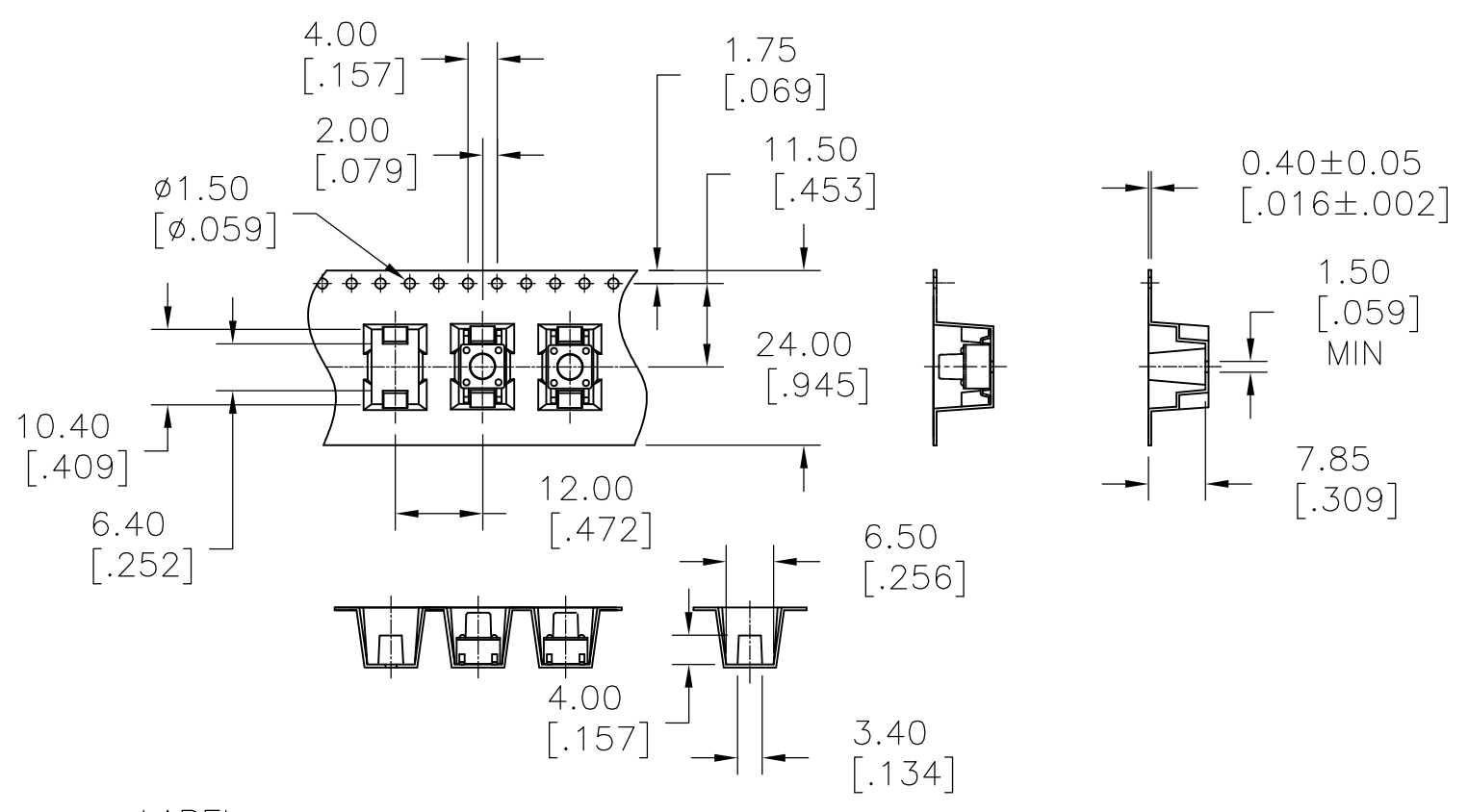
BOARD LAYOUT


OBSOLETE	BULK	160±50gf	BLACK	3.10[.122]	9.50[.375]	1977764-2
	TAPE & REEL	160±50gf	BLACK	3.10[.122]	9.50[.375]	1977764-1
	PACKAGE	O/FORCE	STEM COLOR	D(ø)	L	PART NO

THIS DRAWING IS A CONTROLLED DOCUMENT.		DWN RAGHAVENDRA 13DEC10	TE Connectivity			
DIMENSIONS: mm [INCHES]		CHK EPPLEY NAZ 13DEC10				
TOLERANCES UNLESS OTHERWISE SPECIFIED:		PRODUCT SPEC		TACT SWITCH, J-LEADS		
0 PLC ± -		APPLICATION SPEC		-		
1 PLC ± -		SIZE	CAGE CODE	DRAWING NO	RESTRICTED TO	
2 PLC ± 0.3[.012]		-		A300779	-	
3 PLC ± -		WEIGHT		C=1977764		
4 PLC ± -		0		-		
ANGLES ± -		CUSTOMER DRAWING				
FINISH		SCALE		SHEET		REV
-		4:1		1 OF 2		B

THIS DRAWING IS UNPUBLISHED. RELEASED FOR PUBLICATION
 © COPYRIGHT - By - ALL RIGHTS RESERVED.

REVISIONS					
P	LTR	DESCRIPTION	DATE	DWN	APVD
-	-	SEE SHEET 1	-	-	-



THIS DRAWING IS A CONTROLLED DOCUMENT.		DWN RAGHAVENDRA 13DEC10	 TE Connectivity				
DIMENSIONS: mm [INCHES]		CHK EPPLEY NAZ 13DEC10					
TOLERANCES UNLESS OTHERWISE SPECIFIED:		APVD EPPLEY NAZ 13DEC10	NAME				
0 PLC ± - 1 PLC ± - 2 PLC ± - 3 PLC ± 0.3[.012] 4 PLC ± - ANGLES ± -		PRODUCT SPEC -	TACT SWITCH, J-LEADS				
MATERIAL -		FINISH -	APPLICATION SPEC -	SIZE A3	CAGE CODE 00779	DRAWING NO C-1977764	RESTRICTED TO -
CUSTOMER DRAWING			WEIGHT -	SCALE 4:1	SHEET 2 OF 2	REV B	