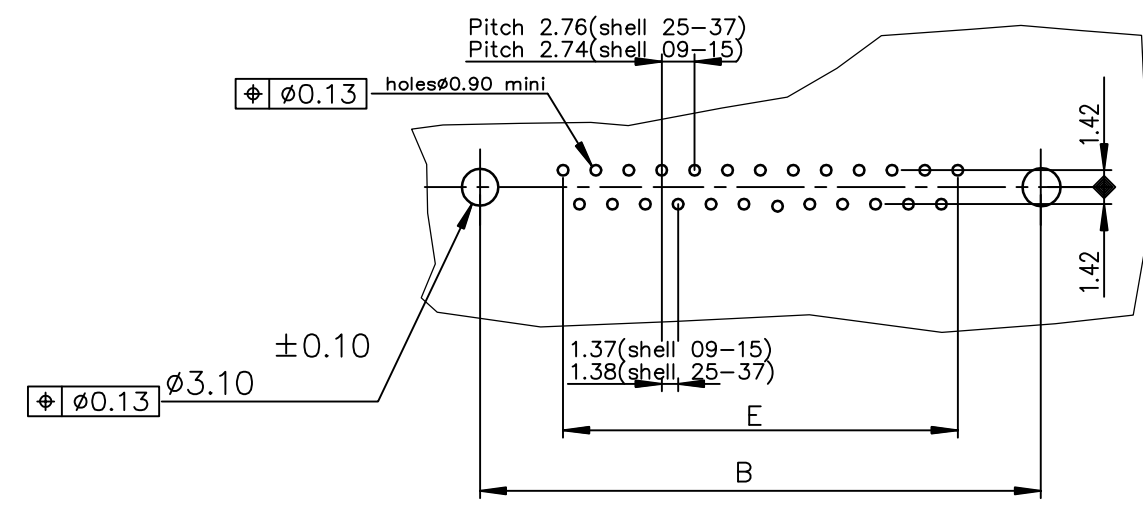


PC card drilling dimensions(after plating)
(thickness 1.60±0.20mm)



Notes:
1) The nut can protrude above the surface of insulator but maintaining the footprint dimension 6.0±0.15 mm.

GENERAL CHARACTERISTICS AND ROHS INFORMATIONS:
SEE DRAWING C01-8646-0000

LEAD FREE PART NUMBER

SHELL	A±0.38	B±0.12	C±0.10	D±0.25	E±0.07	PART NUMBER
09	30.81	24.99	16.96	16.21	10.96	D09S24A.PX00LF
15	39.14	33.32	25.18	24.54	19.18	D15S24A.PX00LF
25	53.03	47.04	39.12	38.25	33.12	D25S24A.PX00LF
37	69.32	63.50	55.68	54.71	49.68	D37S24A.PX00LF

Plating: 4 --> Flash Au
Plating: 6 --> 0.76µ Au

mat'l. code		surface ISO 1302		tolerance ISO 406 ISO 1101		projection		product family	
-		✓		ISO 406 ISO 1101		MM		D-SUB	
ltr	ecn no	dr	date	tolerances unless otherwise specified		MM		title	
E	ELX-I-22878	AB	2015/01/06	angles	linear	MM		FEMALE CONNECTOR STD EUROPE STRAIGHT SOLDER TYPE FOR PCB 1.6mm	
				0°±2'		scale 2:1		dwg no	
				dr	JOUBERT	1996/09/10	sheet 1 of 1		size
				enr	ALIAS BABU	2015/01/06	C01-8646-0492		A3
				chr	MITHUN PAUL	2015/01/06	type		Product Customer Drawing
				app	BIJU K PAUL	2015/01/06			
sheet index	revision sheet	E	1						