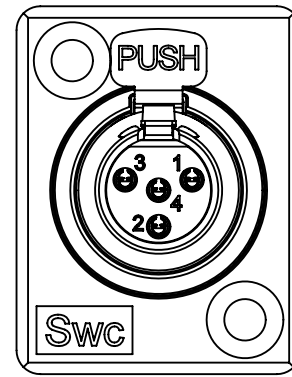
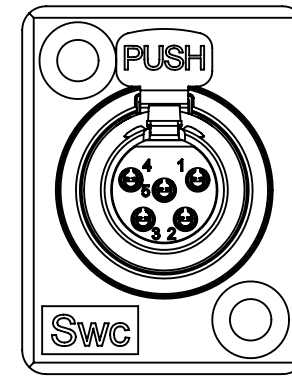


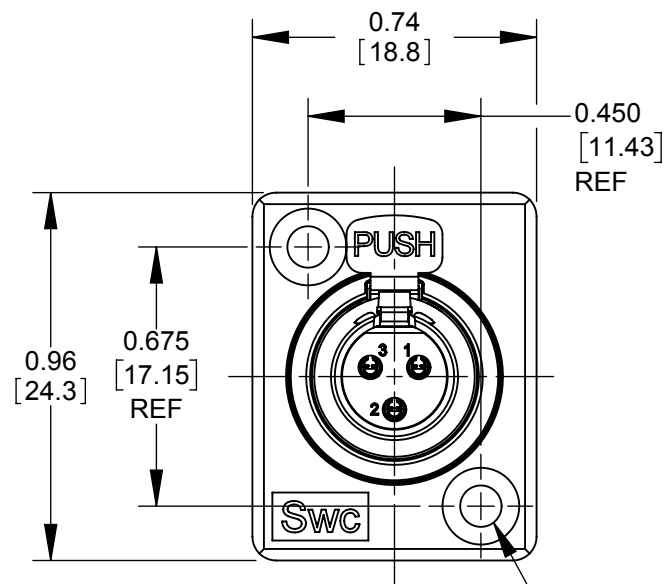
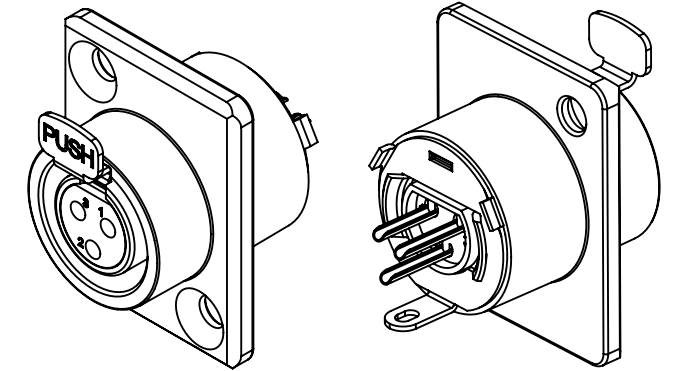
TY3F
3 PIN



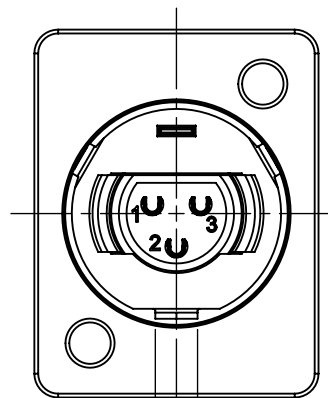
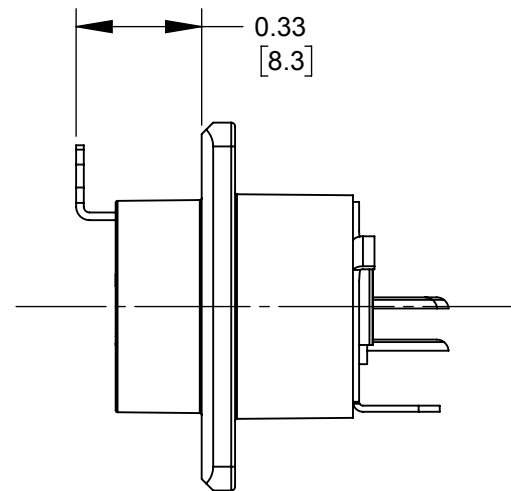
TY4F
4 PIN



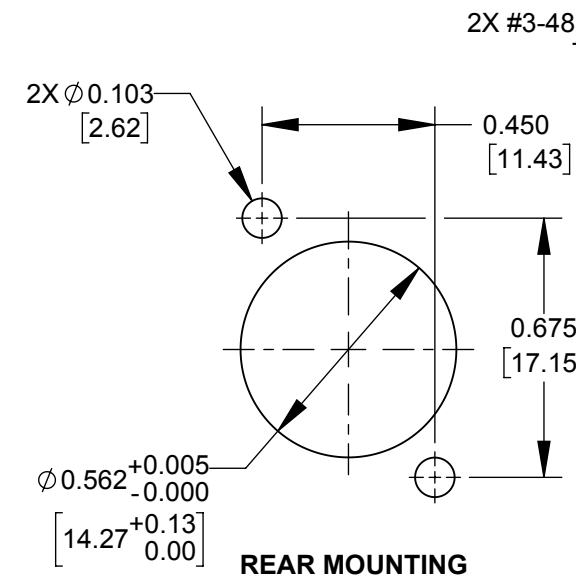
TY5F
5 PIN



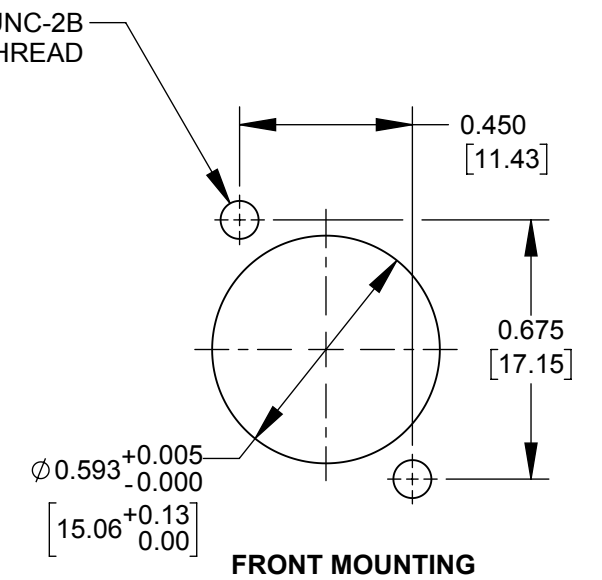
Ø0.103 [2.62] HOLE
Ø0.200 [5.08] x 82° CHAMFER
REF 2 PLACES



0.110 [2.79] SOLDER LUG WITH
0.050 [1.27] x 0.080 [2.03] SLOT



REAR MOUNTING



FRONT MOUNTING

NOTES:

1. MATERIALS:

MOUNTING PLATE - ZINC ALLOY, NICKEL PLATED
CONNECTOR HOUSING - COPPER ALLOY, NICKEL PLATED
FRONT AND REAR INSERTS - THERMOPLASTIC, BROWN
CONTACT PINS - COPPER ALLOY, SILVER PLATED
LOCK RING - COPPER ALLOY, TIN PLATED
LATCH - COPPER ALLOY, NICKEL PLATED
RELEASE LEVER - STEEL, NICKEL PLATED
LEVER RETURN SPRING, STAINLESS STEEL

2. THIS PRODUCT IS RoHS COMPLIANT.

CUSTOMER DRAWING

REV	ECO NUMBER	DATE	BY	APVD
F	REDRAWN 26739	04-06-11	PC	TJK
REVISIONS				

UNLESS OTHERWISE SPECIFIED
1. ALL DIMENSIONS IN INCHES [mm]
- TWO PLACE DECIMALS ±0.02 [0.5]
- THREE PLACE DECIMALS ±0.005 [0.13]

DO NOT SCALE DRAWING

THIS DRAWING DESCRIBES A DESIGN CONSIDERED PROPRIETARY IN NATURE, DEVELOPED AND MANUFACTURED BY SWITCHCRAFT INC. AND IS RELEASED ON A CONFIDENTIAL BASIS FOR IDENTIFICATION PURPOSES ONLY.									
SIZE	WIDTH	MULT	LBS/M	TEMPER					
FINISH					MATERIAL				
SPEC No.					SPEC No.				
FIRST USED ON					SCALE 2:1				
DATE DRAWN	BY	CHKD	APVD						
3-30-95	SG	SG	GHJ						
			5-1-95	5-1-95					
NAME					PART No.				
TINI QG SERIES, RoHS					TY_F SERIES				
					REV F				