

DESCRIPTION: 979 SERIES D-SUB BACKSHELL - DIE CAST

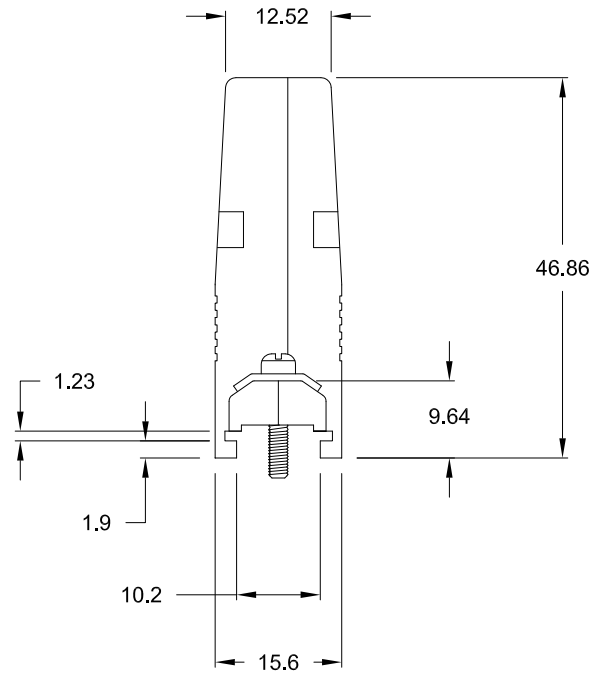
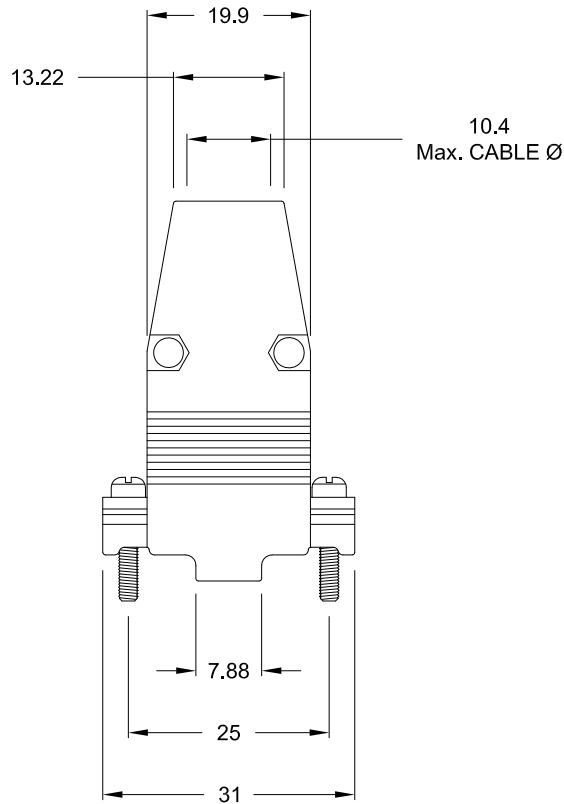
ALL TOLERANCES = ± 0.3
UNLESS OTHERWISE INDICATED

DESIGNED TO ACCOMMODATE STANDARD:
D-SUB - Shell Size 1

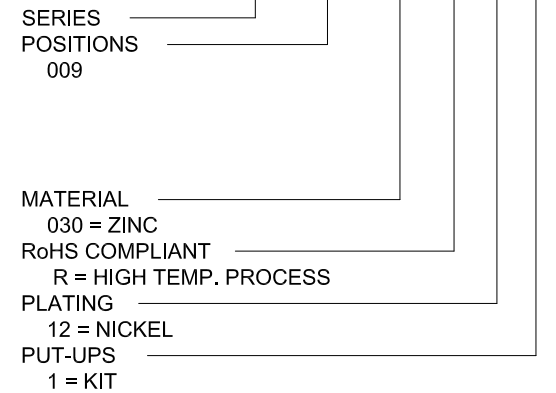
BACKSHELL KIT INCLUDES:

- 2 - BACKSHELL HALVES
- 2 - 4-40 MATING SCREWS
- 2 - SADDLE WASHERS
- 2 - HOUSING SCREWS
- 2 - HOUSING NUTS
- 1 - GROMMET TREE - VARIOUS SIZES
(NON-CONDUCTIVE GROMMETS)

MATERIAL: DIE-CAST ZINC ALLOY
PLATING: NICKEL
OPERATING TEMPERATURE: -45°C TO +120°C



979-009-030 R 12 1



UNITS = mm

DO NOT SCALE FROM DRAWING

RoHS COMPLIANT

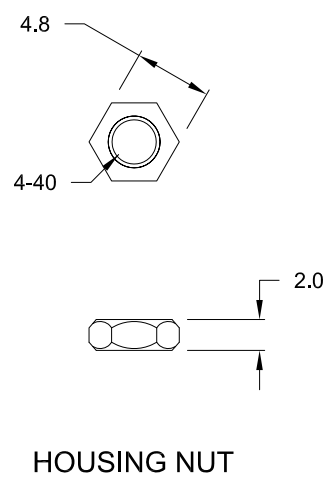
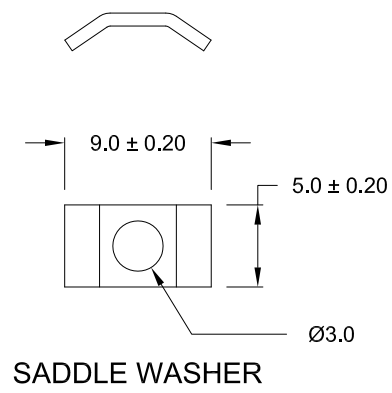
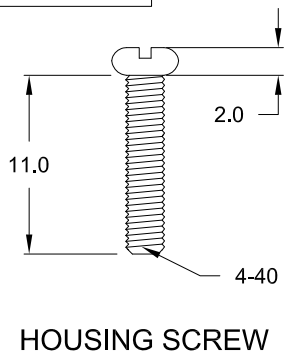
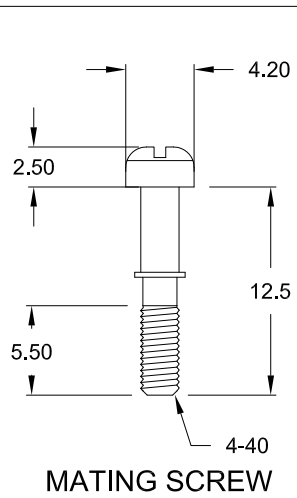


THESE DRAWINGS AND SPECIFICATIONS ARE THE PROPERTY OF NorComp AND SHALL NOT BE REPRODUCED, COPIED OR USED AS THE BASIS FOR THE MANUFACTURE OF SALE OF APPARATUS WITHOUT WRITTEN PERMISSION.

NorComp

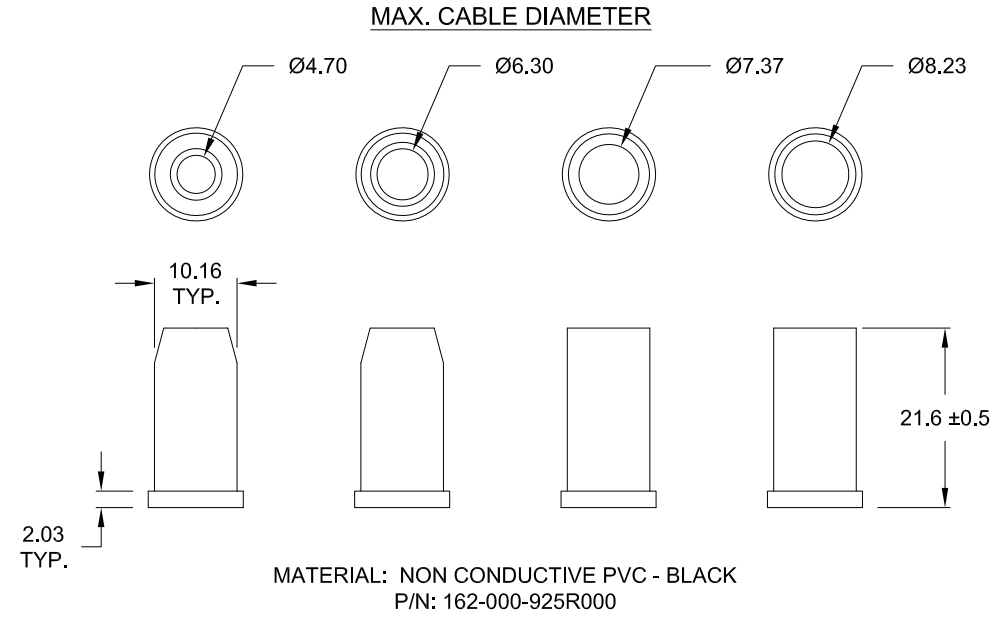
DRAWN: C. SMITH		DATE: 04-20-10	
SCALE: NTS	SHEET 1	OF 2	REV 6
DWG NO. 979-009-030R121			

DESCRIPTION: 979 SERIES D-SUB BACKSHELL - HARDWARE




ALL HARDWARE:
MATERIAL = STEEL
PLATING = NICKEL

RoHS COMPLIANT



UNITS = mm

DO NOT SCALE FROM DRAWING

	THESE DRAWINGS AND SPECIFICATIONS ARE THE PROPERTY OF NorComp AND SHALL NOT BE REPRODUCED, COPIED OR USED AS THE BASIS FOR THE MANUFACTURE OF SALE OF APPARATUS WITHOUT WRITTEN PERMISSION.		DRAWN: C. SMITH	DATE: 04-20-10
	NorComp		SCALE: NTS	SHEET 2 OF 2
DWG NO.			979-009-030R121	