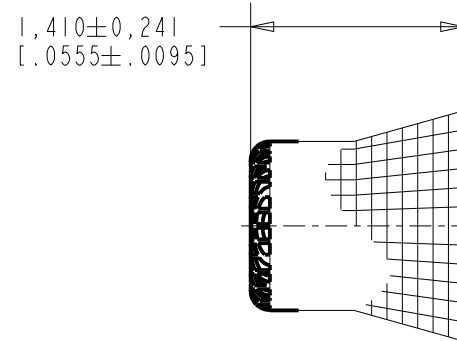
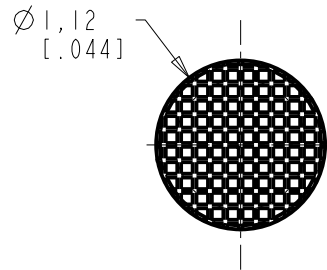


BF-1988-000
SHT 1.1

- (D) NOTE:
1. ACOUSTIC RESISTANCE IS MEASURED WITH ELEMENT INSERTED IN HOLE 1,14 [.045] DIA X 2,03 [.080] LONG
 2. ACOUSTICAL RESISTANCE TO BE $680 \pm 20\% \Omega$ COLOR WHITE.
 3. ACOUSTIC DAMPING ELEMENTS ARE PACKED 100 PIECES PER BOX.



DIMENSIONS IN MILLIMETERS [INCHES]

KNOWLES ELECTRONICS
ITASCA, ILLINOIS U.S.A.

Revision	C.O. #	Implementation Date	RELEASE LEVEL	REVISION
			Active	D
D	MI0105938	3-18-15		
C	MI0100342	4-6-05		
SCALE: 20:1			DR. BY	DATE
DO NOT SCALE DRAWING			BJP	5-30-84
TITLE: BF DAMPER			CK. BY	DATE
OUTLINE DRAWING			---	---
BF-1988-000			APP. BY	DATE
SHT 1.1			KHW	5-30-84