

PT. NO.	PARTS NAME	CAT. NO.	MATERIAL	Q'TY	NOTE
1	REEL	—	POLYSTYRENE	1	—
2	PLASTIC (EMBOSS) TAPE	—	PET RESIN OR PP RESIN	—	COLOR : TRANSPARENCY
3	COVER	—	POLYESTER	—	COLOR : TRANSPARENCY
4	CONNECTOR	BTFW_R-3RBTALF	SEE ATTACHED DWG.	700	

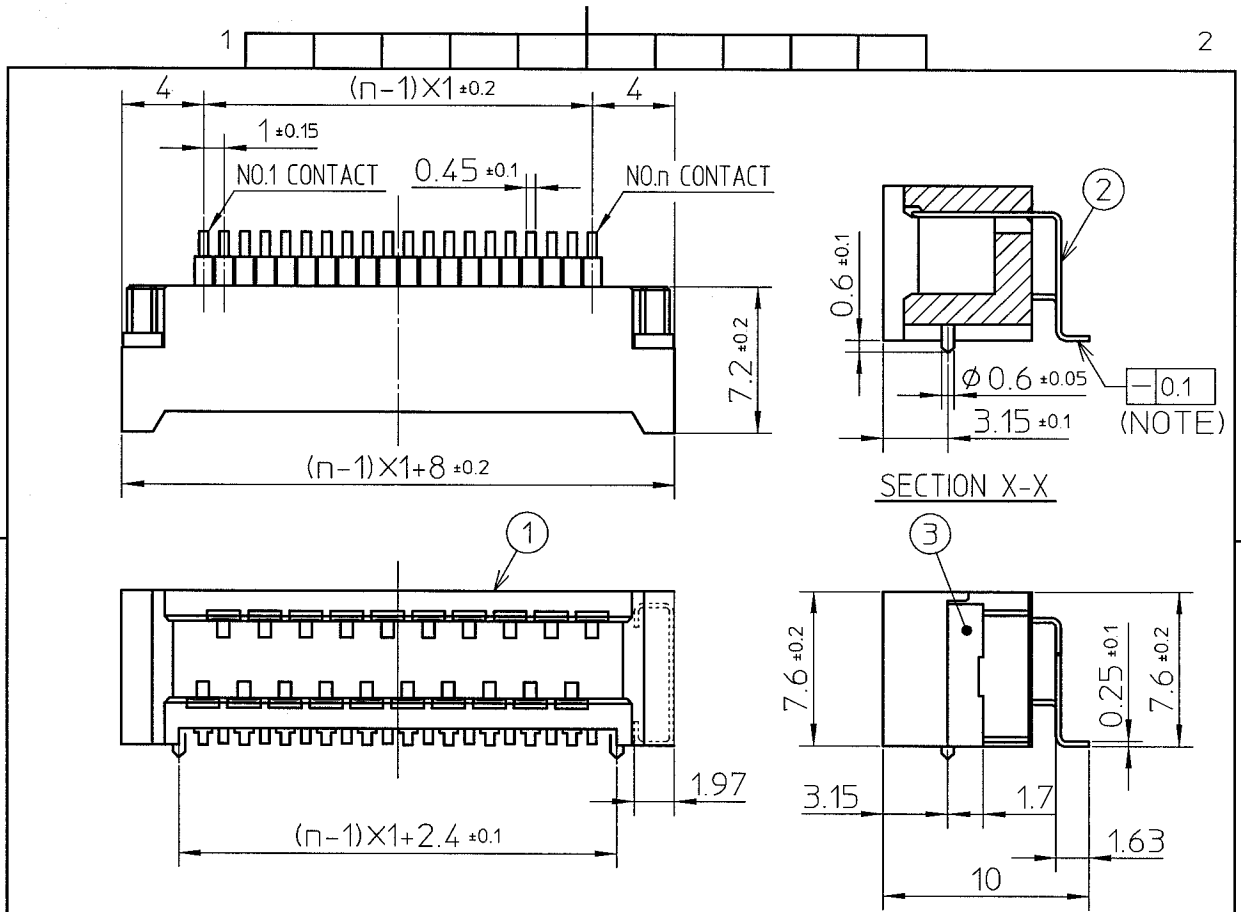
DIMENSIONS

CATALOG NUMBER	NO. OF CONTACT(ONLY EVEN POS.)	A	B	C
BTFW10~14R-3RBTAE4LF	10~14	37.5	32	28.4
BTFW16~24R-3RBTAE4LF	16~24	49.5	44	40.4
BTFW26~30R-3RBTAE4LF	26~30	61.5	56	52.4

- NOTES
1. THIS IS PLASTIC TAPE PACKAGED CONNECTOR USED FOR BOARD TO BOARD COPES WITH AUTOMATIC MOUNTING (SMT).
 2. SEE JIS C 0806 (PACKING OF ELECTRONIC COMPONENTS ON CONTINUOUS TAPES (SURFACE MOUNTING DEVICES)) FOR SHAPE AND DIMENSIONS OF PLASTIC (EMBOSS) TAPE AND REEL.
 3. THIS DIMENSION IS PORTION OF THE CORE.

mat'l. code				surface <input checked="" type="checkbox"/> ISO 1302		tolerance <input checked="" type="checkbox"/> ISO 406 <input type="checkbox"/> ISO 1101		projection		product family 590F	
ltr	ecn no	dr	date	tolerances unless otherwise specified				title PLASTIC TAPE PACKAGED BOARD TO BOARD RECEPTACLE CONNECTOR (GOLD PLATING, LEAD FREE AND PLASTIC REEL) (CAT.No.BTFW__R-3RBTAE4LF)		dwg no JSA 97397 sheet 1 of 1 size A4	
A	J08-0124	M.K	Mar.18,'08	angles	linear	±5					
				dr	M.Koga	Mar.18,'08			type Product Customer Drawing		Rev A
				enr	M.Koga	Mar.18,'08					
				chr	K.Higuchi	Mar.18,'08					
				appd	M.Koga	Mar.18,'08					
sheet index	revision sheet										

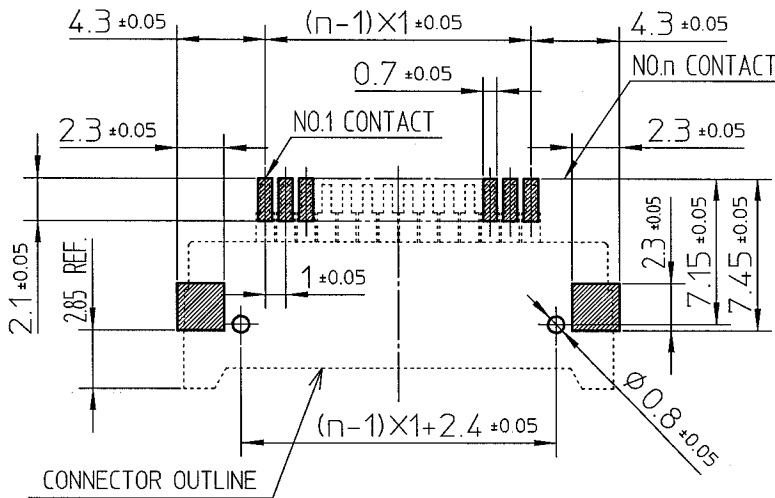
FCJ
 FCconnect.com
 Copyright FCJ



PT. NO.	PARTS NAME	MATERIAL	Q'TY	NOTE
1	HOUSING	GLASS FILLED THERMOPLASTIC RATED.(UL94V-0)	1	COLOR:BRACK
2	CONTACT	BRASS	n	PLATING CONTACT AREA:GOLD OVER NICKL TERMINAL AREA:TIN (LEAD FREE)
3	MOUNTING PLATE	BRASS	2	PLATING:TIN (LEAD FREE)

RECOMMENDED PC BOARD LAYOUT
(COMPONENT SIDE)

n:NO. OF CONTACTS
(10 TO 30 , ONLY EVEN POS.)



NOTE
1.Flatness for contact terminal and mounting plate must be within 0.1.
2.This product meets European Union Directives and other country regulations as described in GS-22-008.

mat'l. code				surface ISO 1302 ✓		tolerance ISO 406 ISO 1101		projection		product family 590F			
ltr	ecn no	dr	date	tolerances unless otherwise specified						title FLOATING BOARD TO BOARD RECEPTACLE CONNECTOR (GOLD PLATING AND LEAD FREE) (CAT.No.BTFW__R-3RBALF)			
A	J07-0021	M.K	Jan.25,'07	angles		linear						± 0.3	
B	J08-0124	M.K	Mar.17,'08					scale					
				dr	K.Higuchi	Mar.17,'08				dwg no		sheet 1 of 1	size
				enfr	M.Koga	Mar.17,'08				JSA 97226		A4	
				chr	K.Higuchi	Mar.17,'08				type		Product Customer Drawing	
				appd	M.Koga	Mar.17,'08							
sheet index		revision sheet										Rev B	