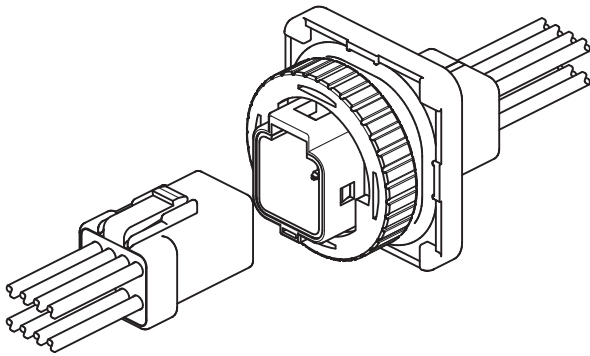


JWPF CONNECTOR

2.0 mm pitch / Wire-to-Wire connectors (Waterproof type) / Panel lock type



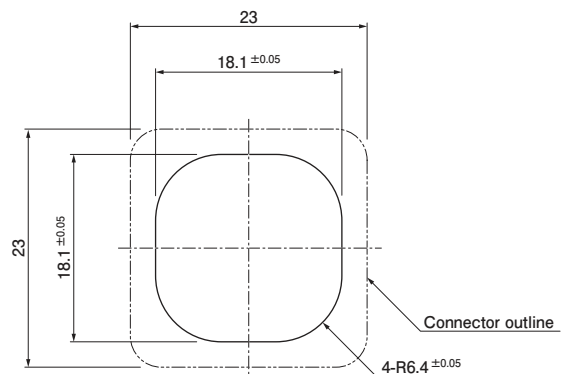
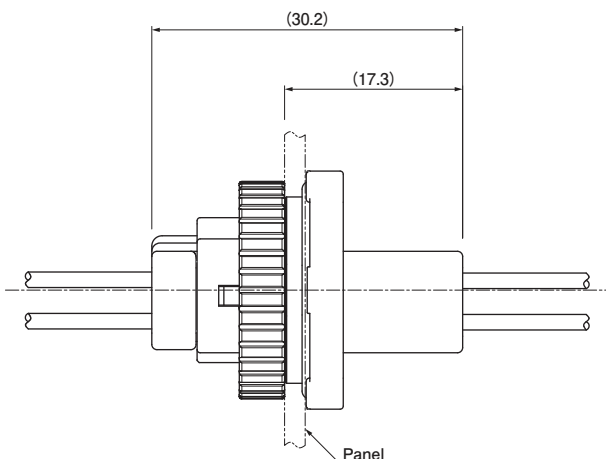
This is a panel lock type 2.0 mm pitch wire-to-wire connector with water ingress protection with an IPX7 rating per IEC 60529 (grade 7 per JIS C 0920), suitable for use for the place of which waterproof is required.

- Water ingress protection with an IPX7 rating per IEC 60529 (grade 7 per JIS C 0920)
- Panel lock type
- Pre-installed seal ring
- A method of plugging by seal rubber plate in bulk
- Double-spring construction
- Housing lance
- Inner lock mechanism

■ Specifications

- Current rating: 3 A AC/DC (AWG #22)
 - Voltage rating: 100 V AC/DC
 - Temperature range: -55°C to +85°C
(including temperature rise in applying electrical current)
 - Contact resistance:
 - Initial value/ 10 mΩ max.
 - After environmental tests/ 15 mΩ max.
 - Insulation resistance:
 - Initial value/ 1,000 MΩ min.
 - After environmental tests/ 100 MΩ min.
 - Withstanding voltage:
 - There shall be no breakdown or flashover while applying 500 VAC for one minute.
 - Applicable wire:
 - Conductor size/AWG #26 to AWG #22
 - Insulation O.D./ ϕ 1.4 mm to ϕ 1.7 mm
 - Water ingress protection with an IPX7 rating per IEC 60529 (grade 7 per JIS C 0920)
 - Applicable panel: Thickness/ 1.2 ± 0.05 mm
 2.0 ± 0.05 mm
Surface roughness/ R_z 1.6 μ m max.
- * In using the products, refer to "Handling Precaution for Terminal and Connector" described on our website (Technical documents of Product information page).
- * Does not comply with Japan Electrical Appliance and Material Safety Law.
- * RoHS2 compliance
- * Dimensional unit: mm
- * Contact JST for details.

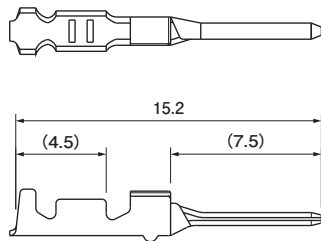
Panel layout and Assembly layout



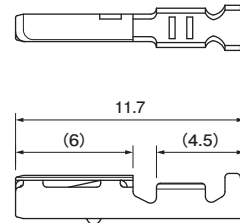
JWPF CONNECTOR

Contact

Tab contact



Receptacle contact



Tab contact

Model No.	Applicable wire range		Q'ty/ reel
	Conductor size AWG (mm ²)	Insulation O.D. (mm)	
SWPT-001T-P025	#26 to #22 (0.13 to 0.33)	1.4 to 1.7	8,200

Material and Surface finish, etc.

Phosphor bronze, tin-plated

Receptacle contact

Model No.	Applicable wire range		Q'ty/ reel
	Conductor size AWG (mm ²)	Insulation O.D. (mm)	
SWPR-001T-P025	#26 to #22 (0.13 to 0.33)	1.4 to 1.7	8,200

Material and Surface finish, etc.

Copper alloy, tin-plated

Crimping machine

Contact	Crimping machine	Applicator	Crimp applicator with dies
SWPT-001T-P025	AP-K2N	MKS-L	APLMK SWPR/T001-025

Note: Contact JST for fully automatic crimping applicator.

Crimping machine

Contact	Crimping machine	Applicator	Crimp applicator with dies
SWPR-001T-P025	AP-K2N	MKS-L	APLMK SWPR/T001-025

Note: Contact JST for fully automatic crimping applicator.

Housing assembly

Tab housing assembly (for tab contact)

No. of circuits	Model No.	Shape and Dimensions (mm)	Applicable panel thickness (mm)	Color	Q'ty/bag
8	08TP-JWPF-VSLE-D-A		1.2 ± 0.05	Natural (white)	100
	08TP-JWPF-VKLE-D		2.0 ± 0.05	Black	100

Material and Surface finish, etc.

Tab housing: Thermoplastic resin, UL94V-0, natural (white) / black
 Seal ring holder: Thermoplastic resin, UL94V-0, yellow
 Seal ring A: Silicone rubber, blue
 Seal ring B: Silicone rubber, blue
 Seal rubber plate: Silicone rubber, light blue

Note: Seal ring holder, seal ring A, seal ring B and seal rubber plate are preassembled in tab housing assembly.

JWPF CONNECTOR

Housing assembly

Receptacle housing assembly (for receptacle contact)

No. of circuits	Model No.	Shape and Dimensions (mm)	Color	Q'ty/bag
8	08R-JWPF-VSLE-D		Natural (white)	1,000

Material and Surface finish, etc.

Receptacle housing: Thermoplastic resin, UL94V-0, natural (white)
 Seal rubber plate: Silicone rubber, light blue

Note: Seal rubber plate is preassembled in receptacle housing assembly.

Tab cover housing

No. of circuits	Model No.	Shape and Dimensions (mm)	Color	Q'ty/bag
8	08TPC-JWPF-VK-D		Black	400

Material and Surface finish, etc.

Thermoplastic resin, UL94V-0, black

Model number allocation

Tab contact

S WP T - 001 T - P 025

Supply form: Strip form

Series name

Type: Tab

Applicable wire range: AWG #26 to AWG #22

Surface finish: Tin-plated

Material: Phosphor bronze

Contact size

Receptacle contact

S WP R - 001 T - P 025

Supply form: Strip form

Series name

Type: Receptacle

Applicable wire range: AWG #26 to AWG #22

Surface finish: Tin-plated

Material: Copper alloy

Applicable contact size

Tab housing assembly

08 TP - JWPF - V K LE - D - ■

No. of circuits

Type:
Tab housing (Panel lock type)

Series name

Flammability: UL94V-0

Housing color:
S...Natural (White)/ for panel thickness 1.2 mm
K...Black/ for panel thickness 2.0 mm

Seal rubber plate color: Light blue

Array: Dual-row

Applicable panel thickness: A...1.2 mm, Blank...2.0 mm

Receptacle housing assembly

08 R - JWPF - V S LE - D

No. of circuits

Type: Receptacle housing

Series name

Flammability: UL94V-0

Housing color: Natural

Seal rubber plate color: Light blue

Array: Dual-row

Tab cover housing

08 TPC - JWPF - V K - D

No. of circuits

Type:
Cover for tab housing assembly

Series name

Flammability: UL94V-0

Color: Black

Auxiliary symbol