

NOTES :

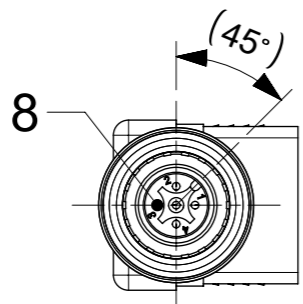
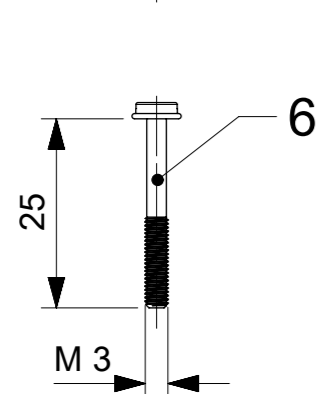
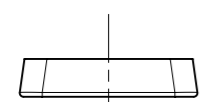
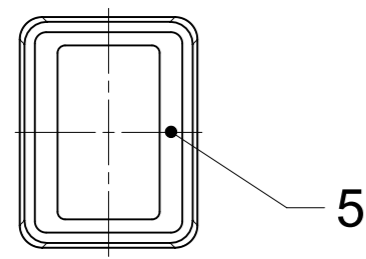
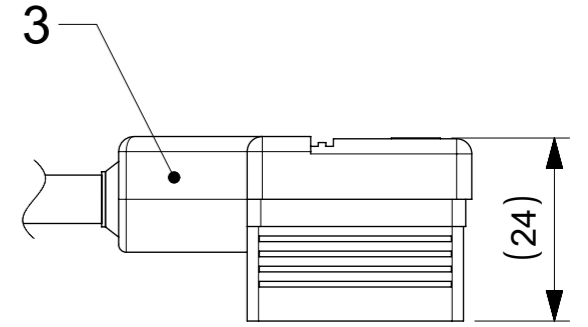
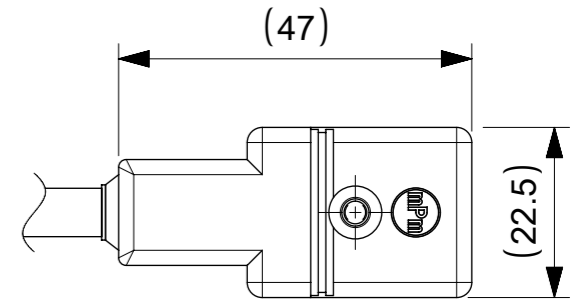
MAX. VOLTAGE : 250V AC/DC
 MAX. CURRENT : 4V
 BENDING RADIUS : 10x CABLE O.D

PART No MATRIX:

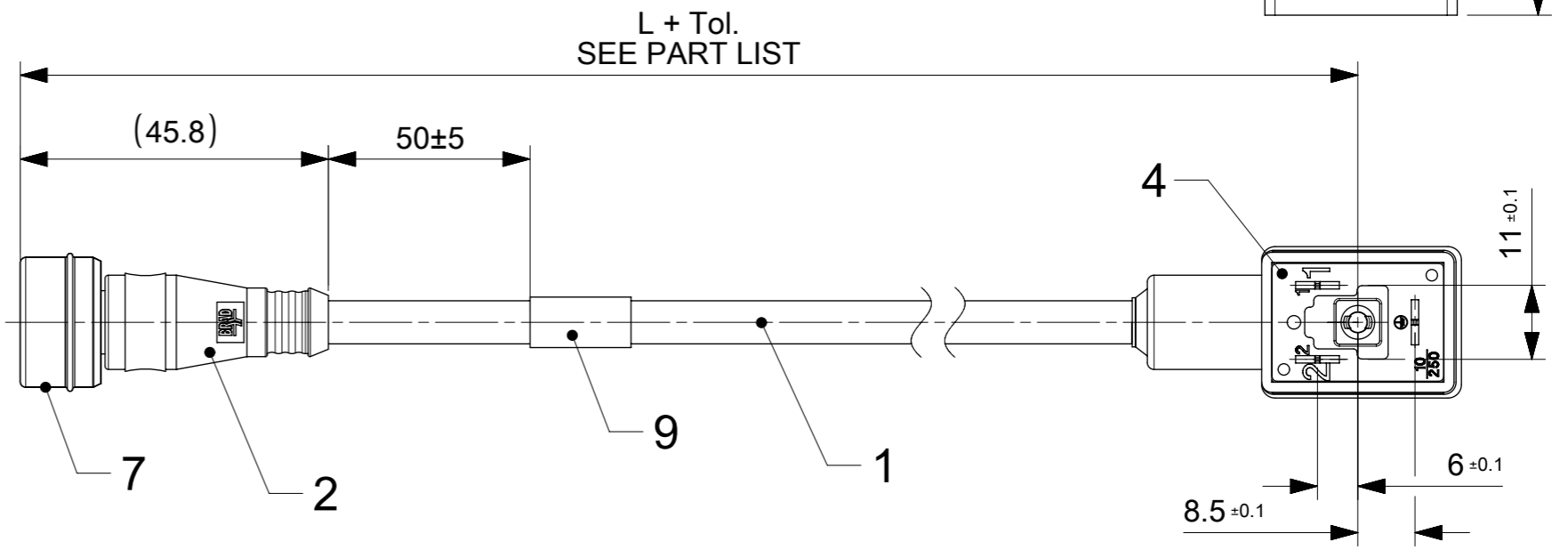
F W 4 0 0 1 X X X M X X X X

OPTIONS

F=Form B (11mm contact spacing)
 W= UltraLock M12 Connector
 4=4 Poles
 001 = WITHOUT CIRCUIT NO LED EARTH POSITION H12, MA STR
 Cable type - A09
 Units: M = Meter
 Length Examples: 005=0.5m 010=1m 100=10m
 Overmold color: Blank (Standard)=Black A=Grey / G=Black Y=Yellow H= 2 pcs. of I/D Carrier (Cables Ixx & P82 always with 2 pcs. I/D Carrier)



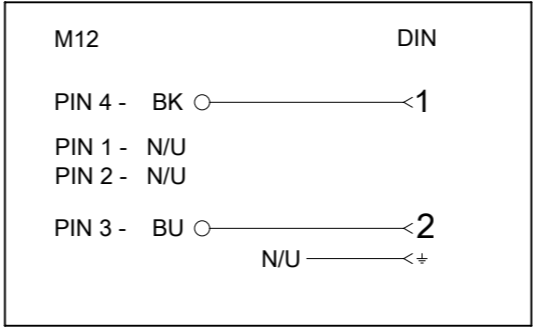
VIEW FROM THE FRONT SIDE



BOM

ITEM	QTY	DESCRIPTION	MATERIAL	COLOR/FINISH
9	1	LABEL	VINYL	YELLOW
8	4	CONTACT MALE	BRASS	Au OVER Ni-PLATED
7	1	MIC 4P MALE ULTRA-LOCK ASSEMBLY	-	-
6	1	SCREW M3 X 25.0 MM	-	-
5	1	PROFILED GASKET	NBR	BLACK
4	1	DIN INSERT ASSEMBLY	-	-
3	-	DIN OVERMOULD	POLYPROP	BLACK
2	-	OVERMOULD	TPU	YELLOW
1	-	CABLE	PVC	YELLOW

ELECTRICAL DIAGRAM



PART LIST

Part No.	Engineering No.	L+Tol.[mm]
1210360875	EW4001A09M010	1000±20

THIS DRAWING CONTAINS INFORMATION THAT IS PROPRIETARY TO MOLEX ELECTRONIC TECHNOLOGIES, LLC AND SHOULD NOT BE USED WITHOUT WRITTEN PERMISSION

FUNCTIONAL SYMBOLS: ∇/\bar{A} = 0, ∇/\bar{E} = 0, ∇/\bar{V} = 0

DIVISIONAL SYMBOLS: 4 PLACES ±, 3 PLACES ±, 2 PLACES ±, 1 PLACE ±, 0 PLACES ±

SCALE: mm 1:1

GENERAL TOLERANCES (UNLESS SPECIFIED): ANGULAR TOL ± °

CURRENT REV DESC:

EC NO: 703538
 DRWN: SSM 2022/03/14
 CHK'D: RSILLER 2022/04/22
 APPR: RSILLER 2022/04/22

INITIAL REVISION:
 DRWN: SSM 2022/03/14
 APPR: RSILLER 2022/04/22

THIRD ANGLE PROJECTION

DRAFT WHERE APPLICABLE MUST REMAIN WITHIN DIMENSIONS

DRAWING: A3-SIZE

SERIES: 121036

MATERIAL NUMBER: SEE PART LIST

CUSTOMER: GENERAL MARKET

DOCUMENT NUMBER: 1210360875

DOC TYPE: PSD

DOC PART: 000

REVISION: A

SHEET NUMBER: 1 OF 1

6

5

4

3

2

1

E

D

C

B

A

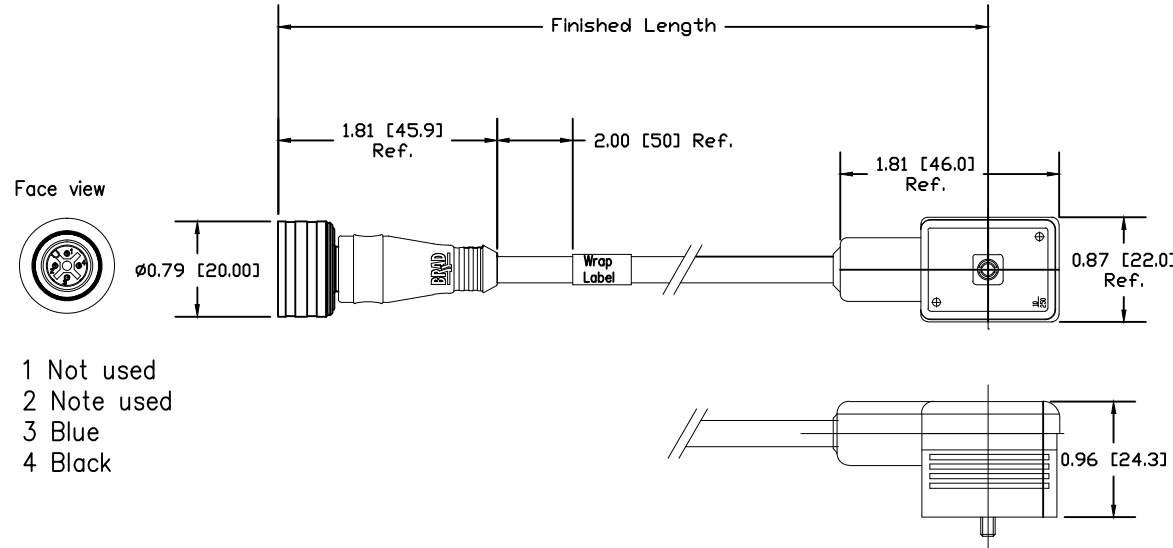
E

D

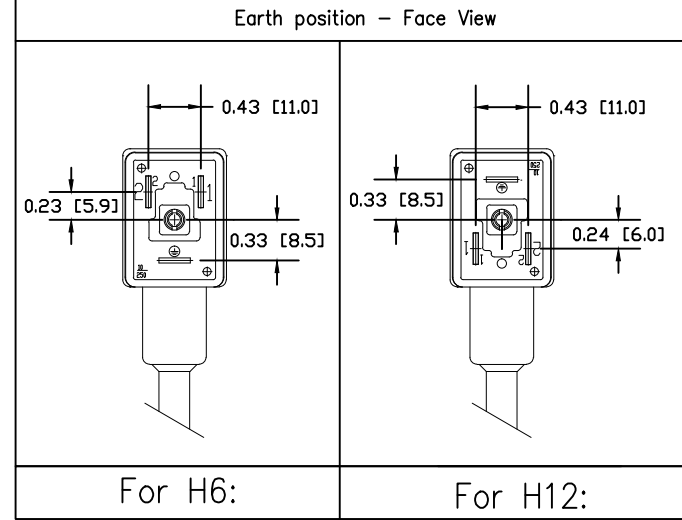
C

B

A



- 1 Not used
- 2 Note used
- 3 Blue
- 4 Black

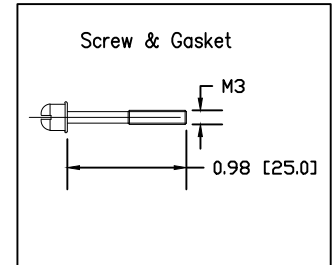
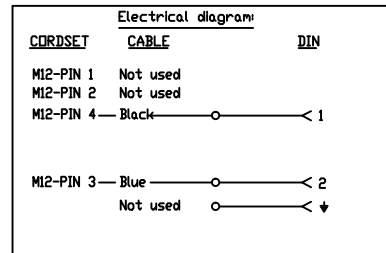


PART No MATRIX

F W 4 0 0 X A 0 9 M X X X

Length:
020=2 Meters
050=5 Meters
200=20 Meters

DIN Earth Position - o'clock &
M12 connector body:
0 = EARTH H6, MALE Straight
1 = EARTH H12, MALE Straight
2 = EARTH H6, MALE 90°
3 = EARTH H12, MALE 90°



MECHANICAL
CONTACT : GOLD/NICKEL OVER COPPER ALLOY
INSERT : BLACK NYLON
COUPLING NUT: TEFLON COAT OVER NICKEL PLATED BRASS
MOLDED BODY:ULTRA LOCK- YELLOW PVC
DIN BLACK POLYPROPYLENE
CABLE: 22 AWG 4 CONDUCTORS YELLOW PVC JACKET
CABLE O.D. :200±.10[5.08±.254]
BEND RADIUS 10XCABLE O.D.

ELECTRICAL
VOLTAGE RATING: 250V AC/DC
AMPERAGE: 4A

RELEASE EC NO: ICG2013-1719 DRWN: TWOLDEGE 2013/05/08 CHKD: BRUPERT APPR: BWOODMAN 2013/11/07	QUALITY SYMBOLS ▽=0 ▽C=0	GENERAL TOLERANCES (UNLESS SPECIFIED)		DIMENSION STYLE INCH/MM		SCALE 1:1	DESIGN UNITS INCH	THIRD ANGLE PROJECTION	
		4 PLACES ±--- ±---	mm INCH	DRAWN BY TWOLDEGE	DATE 2013/05/08	TITLE U-LOCK TO DIN ASSEMBLY 4-P MALE ULOCK-11MM DIN 22/4 AWG YLLOW PVC			
		3 PLACES ±--- ±.005		CHECKED BY BRUPERT	DATE ---	MOLEX INCORPORATED			
		2 PLACES ±.13 ±.010 1 PLACE ±.25 ±.020		APPROVED BY BWOODMAN	DATE 2013/11/07	MATERIAL NO. SEE MATRIX	DOCUMENT NO. SD-121035-001	SHEET NO. 1 OF 1	
DRAFT WHERE APPLICABLE MUST REMAIN WITHIN DIMENSIONS		THIS DRAWING CONTAINS INFORMATION THAT IS PROPRIETARY TO MOLEX INCORPORATED AND SHOULD NOT BE USED WITHOUT WRITTEN PERMISSION							

6

5

4

3

2

1