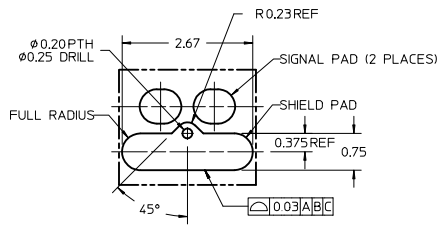
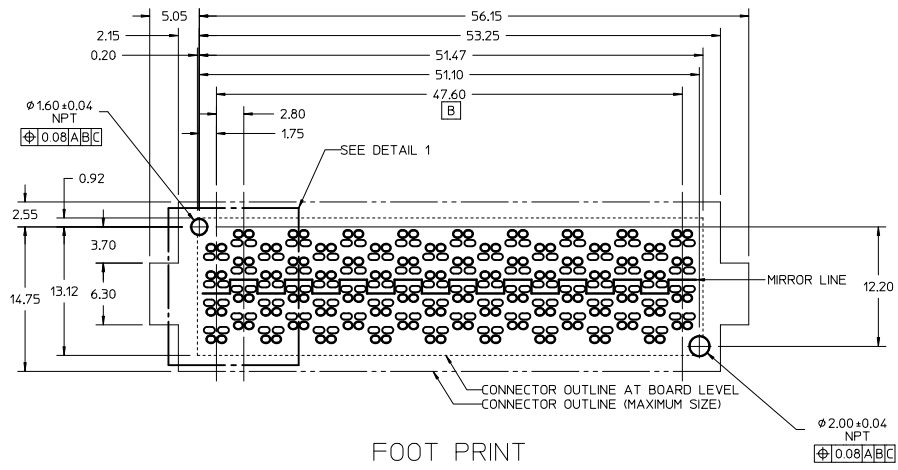


- NOTES:
- HOUSING MATERIAL: LCP; GLASS FILLED, UL 94V-0, BLACK
CONTACT MATERIAL: HIGH PERFORMANCE COPPER ALLOY
SOLDER CHARGE: LEAD FREE SOLDER ALLOY
 - FINISH:
CONTACTS: SELECT GOLD: 30 MICHES MIN ON CONTACT AREA,
AND 2MICHES MIN ON SOLDERABLE PORTION
OF SOLDER TAILS, OVER 50 MICHES MIN NICKEL OVERALL.
 - PRODUCT SPECIFICATION: PS-170807-0001
 - PACKAGING SPECIFICATION: PK-170807-0001
 - APPLICATION SPECIFICATION: AS-170807-0001



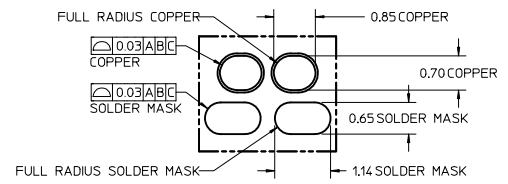
DETAIL 4
SCALE 20:1

(SOLDER MASK REMOVED TO REVEAL SHIELD TRACE)

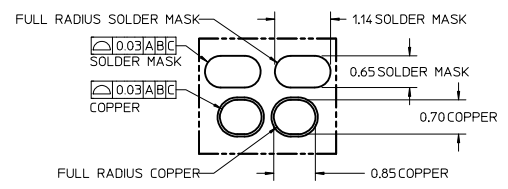


FOOT PRINT

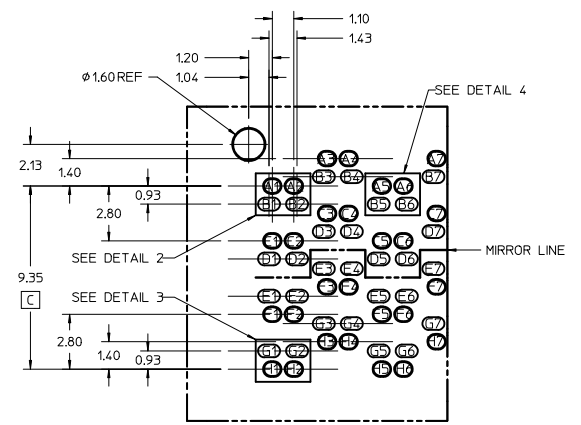
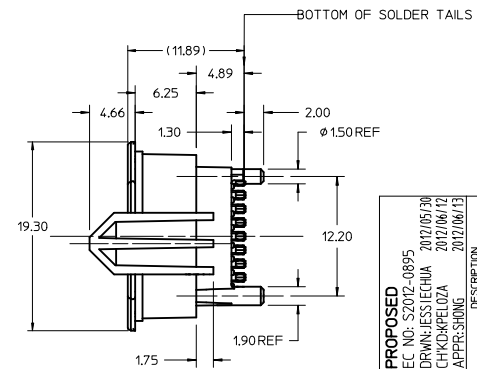
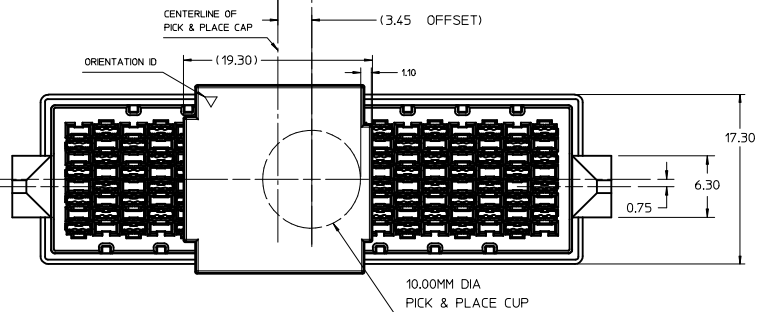
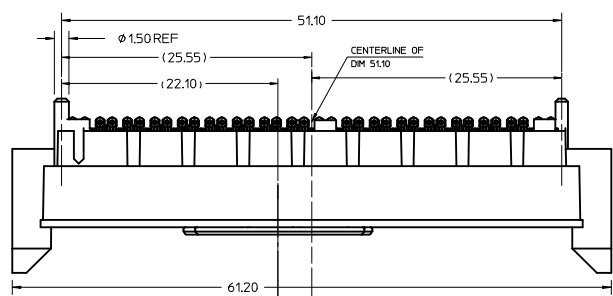
- FOOT PRINT NOTES:
- DATUM -A- IS THE TOP OF THE PCB.
 - ALL DIMENSIONS ARE BASICS.
 - ROW A, C, F, AND H PADS (SIGNAL PADS) ARE COPPER DEFINED.
 - ROW B, D, E, AND G PADS (SHIELD PADS) ARE SOLDER MASK DEFINED.



DETAIL 2
SCALE 20:1



DETAIL 3
SCALE 20:1



DETAIL 1
SCALE 8:1
(NUMBERING SCHEME SHOWN)

PROPOSED EC NO: SZ2012-0895 DRAWN BY: JCHYDRA CHECKED BY: JCHYDRA APPR: SHONG 2012/05/30 2012/06/12 2012/06/13	QUALITY SYMBOLS	GENERAL TOLERANCES (UNLESS SPECIFIED)	DIMENSION STYLE	SCALE	DESIGN UNITS	THIRD ANGLE PROJECTION
	▽=0	mm INCH	MM ONLY	4:1	METRIC	☉
	▽=0	4 PLACES ± --- ± ---	DRAWN BY: KPULOZA	DATE: 2011/06/07	TITLE: RECEPTACLE	
	▽=0	3 PLACES ± --- ± ---	CHECKED BY: KPULOZA	DATE: 2011/06/07	TITLE: 2MM WIPE, 8MM, 4X18	
		ANGULAR ±1/2°	APPROVED BY: JCOMERCI	DATE: 2011/06/08	MATERIAL NO: 1708140009	DOCUMENT NO: SD-170814-0009
		DRAFT WHERE APPLICABLE MUST REMAIN WITHIN DIMENSIONS	MOLEX INCORPORATED SHEET NO. 1 OF 1			