

MATERIALS AND FINISHES:

BNC STR. PLUG

BODY, CRIMP TUBE, COUPLING NUT, OUTER CONTACT, WASHER: BRASS
PLATED NICKEL

CONTACT: BRASS
PLATED GOLD

INSULATOR: TEFLON

GASKET: SILICONE RUBBER

WAVE WASHER: BERYLLIUM COPPER
PLATED NICKEL

CABLE: RG59 COAXIAL CABLE

CABLE: RG59 OR EQUIVALENT

SHRINK TUBE: VERSAFIT OR EQUIVALENT

PACKAGING: BY POLY BAG

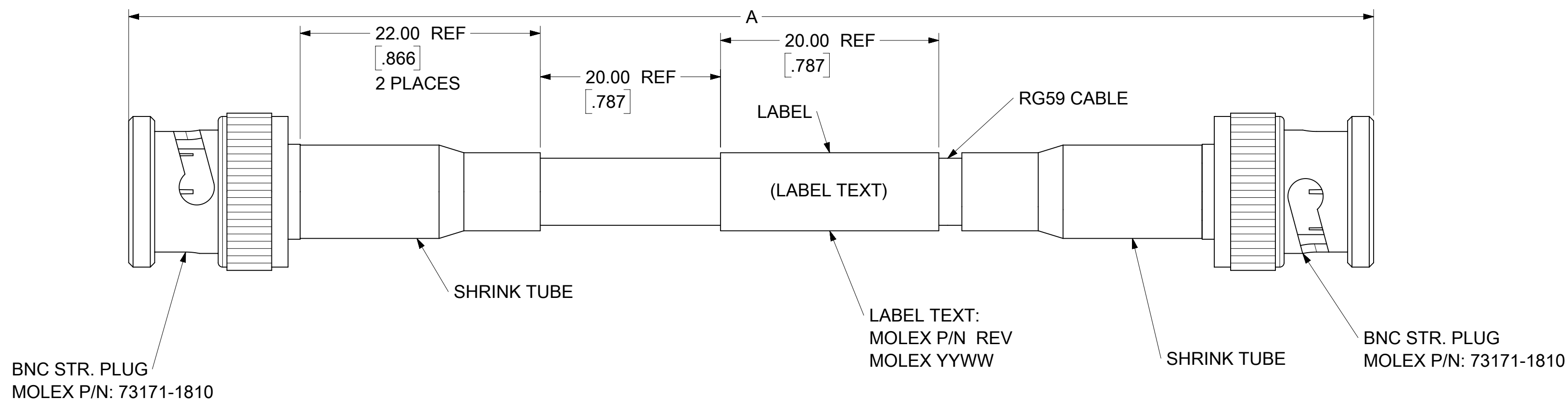
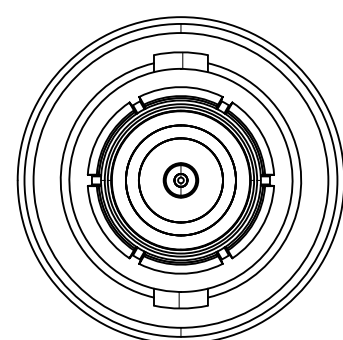


TABLE 2:

73230-5287	72.000±.750	1828.80±19.05
73230-5286	60.000±.700	1524.00±17.78
73230-5285	48.000±.650	1219.20±16.51
73230-5284	36.000±.500	914.40±12.70
73230-5283	24.000±.400	609.6±10.16
73230-5282	18.000±.250	457.20±6.35
73230-5281	12.000±.200	304.80±5.08
73230-5280	6.000±.100	152.40±2.54
PART NO.	IN	MM
	DIM A	

TABLE 1:

MIL-STD-348A, FIG. 301.1	INTERFACE
SPECIFICATION	DESCRIPTION

FUNCTIONAL SYMBOLS		THIS DRAWING CONTAINS INFORMATION THAT IS PROPRIETARY TO MOLEX ELECTRONIC TECHNOLOGIES, LLC AND SHOULD NOT BE USED WITHOUT WRITTEN PERMISSION		CURRENT REV DESC: NEW RELEASE	
$\frac{E}{A} = 0$	DIMENSION UNITS	SCALE	EC NO: 675763		
$\frac{E}{C} = 0$	MM/INCH	3:1	DRWN: WANGR2	2021/06/17	
$\frac{E}{P} = 0$	GENERAL TOLERANCES (UNLESS SPECIFIED)		CHK'D: MYLU07	2021/08/30	
#####	ANGULAR TOL	± °	APPR: LCHEN03	2021/08/30	CA BNC PLUG STR TO BNC PLUG STR WITH RG59 CABLE EWR#14548-A
	4 PLACES	±	INITIAL REVISION:		PRODUCT CUSTOMER DRAWING
	3 PLACES	±	DRWN: WANGR2	2021/06/17	DOCUMENT NUMBER
	2 PLACES	±	APPR: LCHEN03	2021/08/30	732305280
	1 PLACE	±	THIRD ANGLE PROJECTION		DOC TYPE DOC PART REVISION
	0 PLACES	±	DRAFT WHERE APPLICABLE MUST REMAIN WITHIN DIMENSIONS	C-SIZE	PSD 000 A
			DRAWING	SERIES	MATERIAL NUMBER
				73230	SEE TABLE 2
			CUSTOMER	SHEET NUMBER	GENERAL MARKET
					1 OF 1