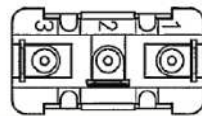
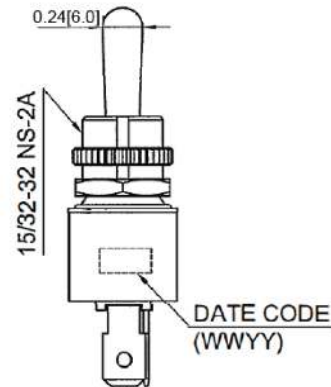
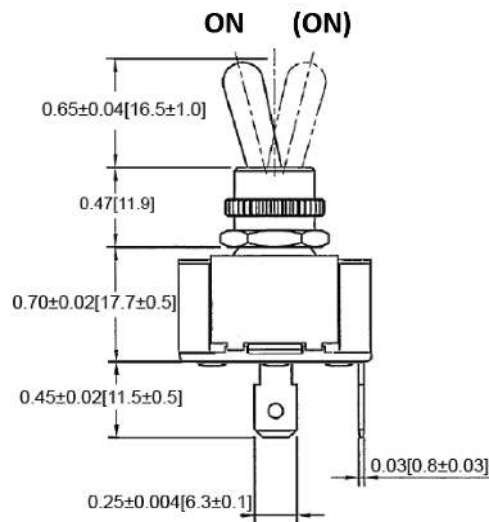
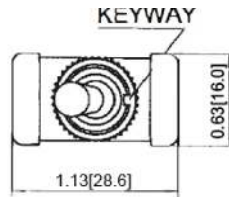
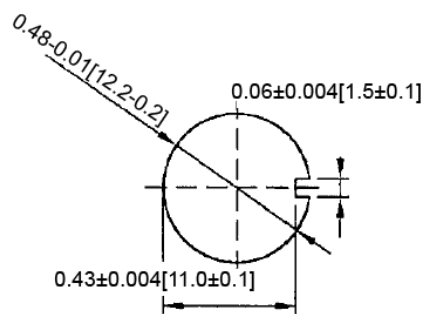


## Mechanical Dimensions: Inches [mm]

Tolerances  $\pm 0.012$  [0.3] Unless Otherwise Specified



## Mounting Hole



**Thickness:** 0.24 [6.0] max

## Circuit Diagram

3P SPDT ON-(ON)



## Electrical Specifications

|                       |                      |
|-----------------------|----------------------|
| Rating                | 21A 14V DC           |
| Contact Resistance    | 50m ohm Max          |
| Insulation Resistance | DC 500V 100M ohm Min |
| Dielectric Strength   | AC 1500V 1 minute    |
| Operation Temperature | -20°C ~ 85°C         |

## Material Specifications

|                 |                   |
|-----------------|-------------------|
| Operation Force | 700gf ± 250 gf    |
|                 | 1 Hex Nut Assy    |
|                 | 1 Knurl Nut Assy  |
|                 | 1 Internal O-Ring |

| <b>Rev</b> | <b>Date of issue</b> | <b>Revision Notes</b> | <b>Designed</b> | <b>Approved</b> |
|------------|----------------------|-----------------------|-----------------|-----------------|
| B          | 03-04-2020           | Initial Drawing       | RC              | OF              |