

4

3

2

1

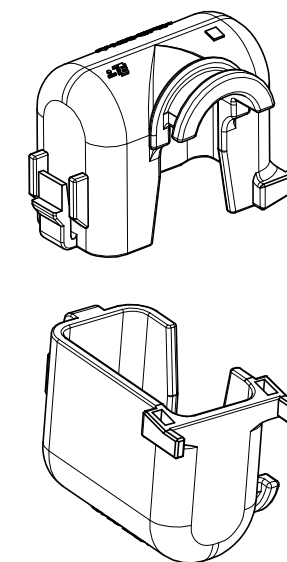
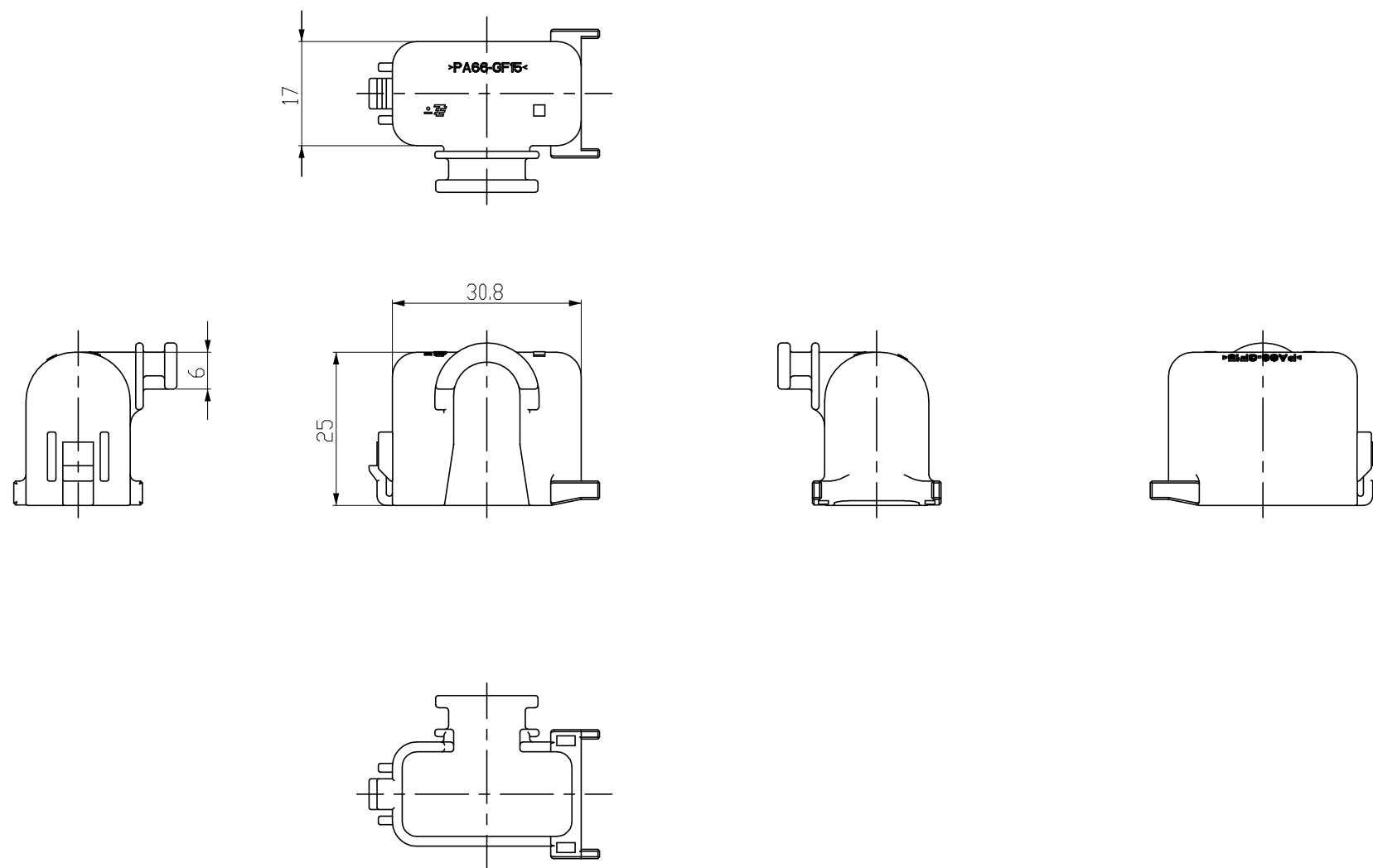
THIS DRAWING IS UNPUBLISHED.

RELEASED FOR PUBLICATION

© COPYRIGHT -

ALL RIGHTS RESERVED.

| LOC | DIST | REVISIONS | | | |
|-----|------|-------------|----------|-----------|-------|
| P | LTR | DESCRIPTION | DATE | DWN | APVD |
| DS | - | A | RELEASED | 21.MAR'11 | DG HG |



NOTE
 1. APPLICABLE PLUG ASM : X-2109313-X
 2. Max. warpage : 0.3

| NO. | P/N | COLOR/FINISH | MATERIAL | DESCRIPTION |
|-----|-----------|--------------|-----------|--------------------------------|
| 1 | 2109319-2 | BLACK | PA66-GF15 | WIRE COVER FOR HYB 8P PLUG ASM |

| | | | | | | | | | | | | | | | | | | | | | | | |
|---|---|------------------|---|-------------------------|--------------------|---|--|-------|---|-----|-------|---|--|-------|---|--|--------|--|-----|--------------|--|---|--|
| THIS DRAWING IS A CONTROLLED DOCUMENT. | | DWN DG JEONG | | | | | | | | | | | | | | | | | | | | | |
| DIMENSIONS: mm | | CHK KT LIM | | | | | | | | | | | | | | | | | | | | | |
| TOLERANCES UNLESS OTHERWISE SPECIFIED: | | APVD HG CHO | | NAME | | | | | | | | | | | | | | | | | | | |
| <table border="0"> <tr><td>0 PLC</td><td>±</td><td></td></tr> <tr><td>1 PLC</td><td>±</td><td></td></tr> <tr><td>2 PLC</td><td>±</td><td>0.3</td></tr> <tr><td>3 PLC</td><td>±</td><td></td></tr> <tr><td>4 PLC</td><td>±</td><td></td></tr> <tr><td>ANGLES</td><td></td><td>±3°</td></tr> </table> | | 0 PLC | ± | | 1 PLC | ± | | 2 PLC | ± | 0.3 | 3 PLC | ± | | 4 PLC | ± | | ANGLES | | ±3° | PRODUCT SPEC | | - | |
| 0 PLC | ± | | | | | | | | | | | | | | | | | | | | | | |
| 1 PLC | ± | | | | | | | | | | | | | | | | | | | | | | |
| 2 PLC | ± | 0.3 | | | | | | | | | | | | | | | | | | | | | |
| 3 PLC | ± | | | | | | | | | | | | | | | | | | | | | | |
| 4 PLC | ± | | | | | | | | | | | | | | | | | | | | | | |
| ANGLES | | ±3° | | | | | | | | | | | | | | | | | | | | | |
| | | APPLICATION SPEC | | - | | | | | | | | | | | | | | | | | | | |
| MATERIAL SEE TABLE | | FINISH - | | SIZE A3 | CAGE CODE - | | | | | | | | | | | | | | | | | | |
| | | | | DRAWING NO C=2109319 | RESTRICTED TO - | | | | | | | | | | | | | | | | | | |
| CUSTOMER DRAWING | | | | SCALE 1:1 | SHEET 1 OF 1 | | | | | | | | | | | | | | | | | | |
| | | | | REV A | | | | | | | | | | | | | | | | | | | |