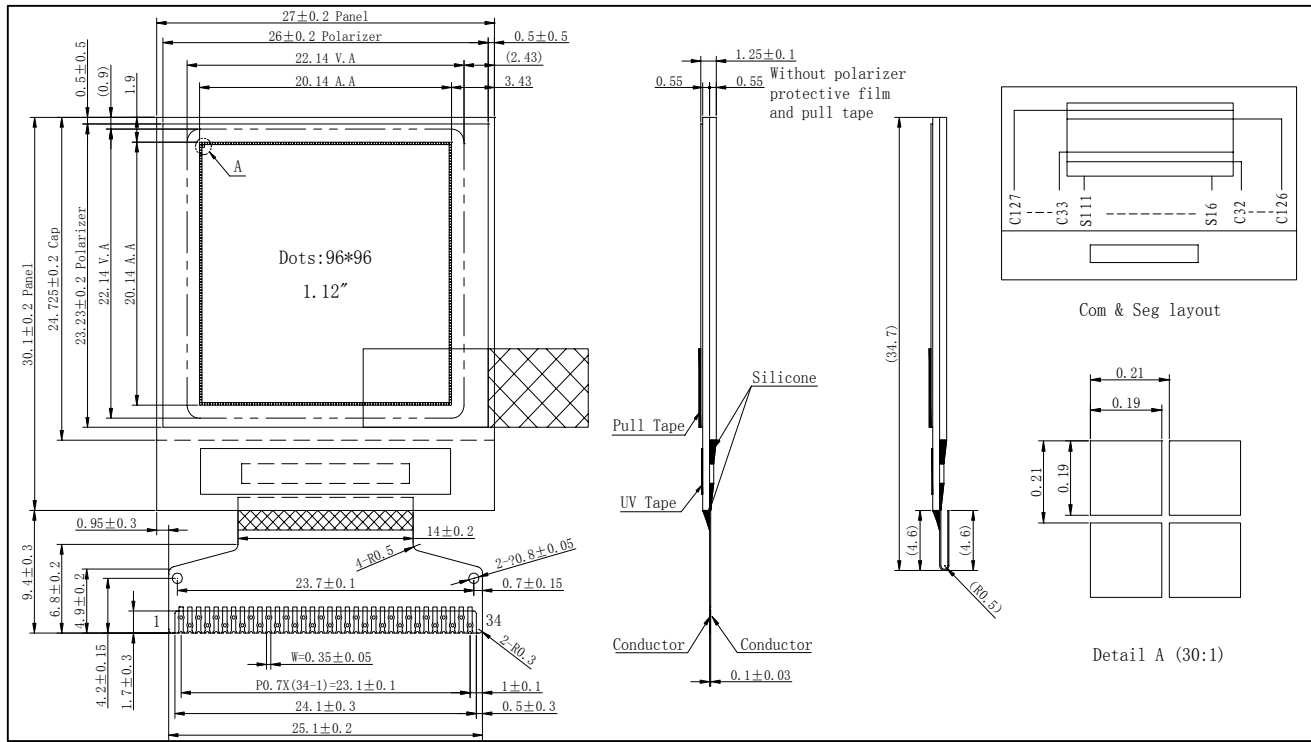


**PRODUCT SPECIFICATION**

**KPS-0027-E01**

**Product Name: 120-096096**

**1. MECHANICAL DIMENSION**

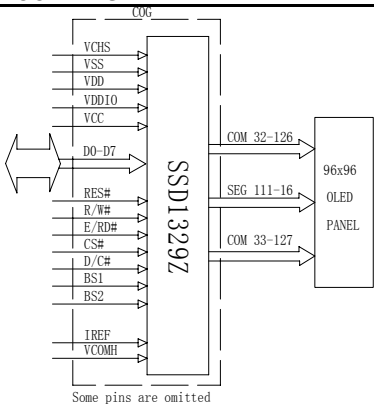


Display Color:White

**2. MECHANICAL DATA**

ITEM	SPECIFICATION	UNIT
Diagonal A/A size	1.12	inch
No. of Dots(W×H)	96×96	--
Dot Size(W×H)	0.19×0.19	mm <sup>2</sup>
Dot Pitch(W×H)	0.21×0.21	mm <sup>2</sup>
Active area(W×H)	20.14×20.14	mm <sup>2</sup>
Panel Size(W×H)	27×30.1	mm <sup>2</sup>
Thickness	1.25	mm

**4. BLOCK DIAGRAM**



Some pins are omitted

**3. PIN CONFIGURATION**

NO.	SYMBOL	DESCRIPTION
1	NC	No Connection.
2	VCHS	It must be connected to external ground.
3	VCC	OLED Drive Voltage
4	NC	No Connection.
5	NC	No Connection.
6	VDD	Logic Power Supply.
7	NC	No Connection.
8	VDDIO	A power supply pin of I/O buffer. Connected to VDD or external source.
9	RES#	Reset pin, active low.
10	R/W#	6800: Read or Write ; 8080: Write.
11	E/RD#	6800: Enable (E); 8080:Read.
12	CS#	Chip select pin, active low.
13	D/C#	H:Data; L :Command.
14-21	D0-D7	Data bus.
22	BS1	Pin Name    8bit-6800    8bi-8080    Serial
		BS1            0            1            0
23	BS2	BS2            1            1            0
		NC
25	NC	No Connection.
26	IREF	Tie resistor to VSS.
27	VSS	Ground Pin.
28	NC	No Connection.
29	NC	No Connection.
30	NC	No Connection.
31	NC	No Connection.
32	VCC	OLED Drive Voltage.
33	NC	No Connection.
34	VCOMH	A capacitor should be connected between this pin and VSS.

**6. ELECTRICAL CHARACTERISTICS**

PARAMETER	L	MIN	TYP.	MAX	UNIT
Logic Supply Voltage	VDD	2.4	3	3.5	V
OLED Drive Voltage	VCC	12.5	13	13.5	V

**5. ABSOLUTE MAXIMUM RATINGS**

PARAMETER	SYMBOL	MIN	MAX	UNIT
Logic Supply Voltage	VDD	-0.3	3.5	V
Operating Voltage	VCC	8	16	V
Operating Temp.	Top	-40	70	°C
Storage Temp.	Tstg	-40	80	°C

**7. ELECTRO-OPTICAL CHARACTERISTICS**

ITEM	MIN	TYP.	MAX	UNIT
Brightness	TBD	TBD	--	cd/m <sup>2</sup>
Power Consumption			TBD	mW