

Product Specification



Patch Antenna JLTD1245-1585S48-36P5-3A

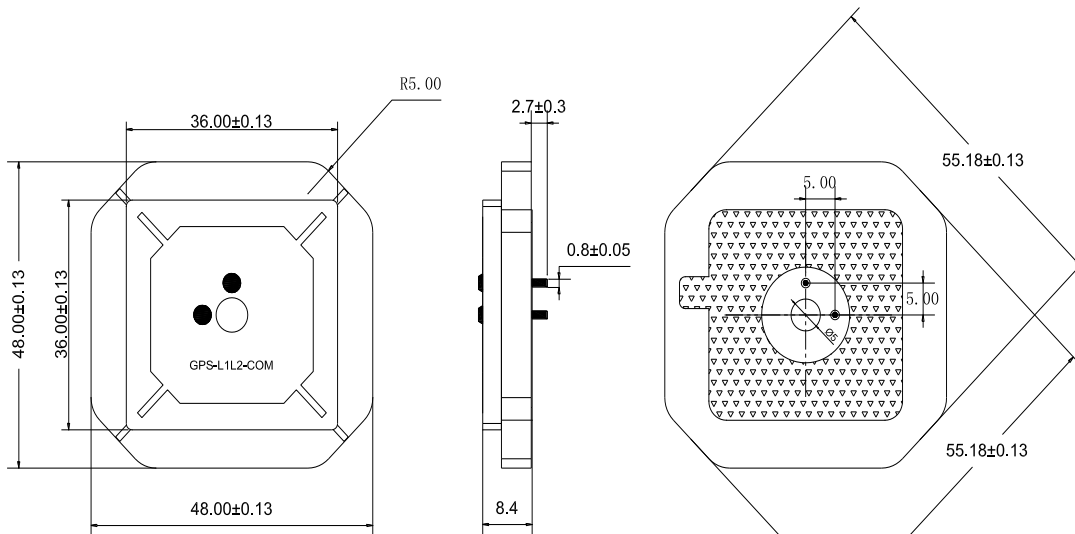
Feature

- High gain , Compact
- Pin type
- Customization available

Electrical Specification

Center Frequency	1245±3 MHz	1585±5 MHz
Return Loss @ F0	≥ 10dB	≥ 10dB
Polarization		Dual feed
Gain @ Zenith		-
Ground plane		70x70 mm
Impedance		50 Ω
Frequcy Temperature Coefficient		±20 ppm/°C
Operation Temperature Range		-40 ~ +85°C

Mechanical Drawing



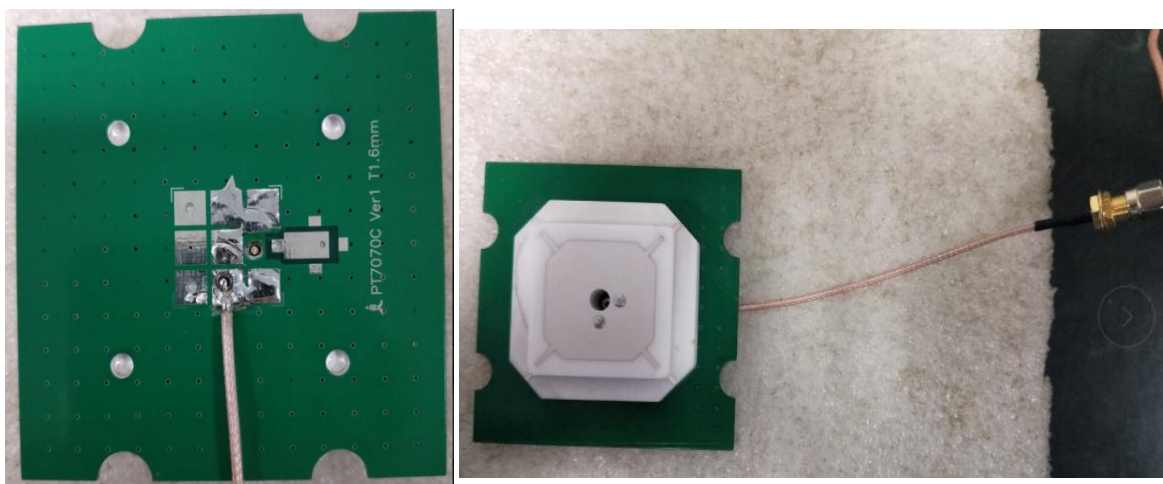
FOR TOLERANCES NOT SPECIFIED USE:
UNLESS OTHERWISE SPECIFIED
DIMENSIONS ARE IN MILLIMETERS CPOD
X mm ± 3mm X.X mm ± 0.3mm
X.XXmm ± 0.13mm ANGULAR ± 1°

Product Specification



Patch Antenna JLTD1245-1585S48-36P5-3A

Test Fixture



Characteristics

