

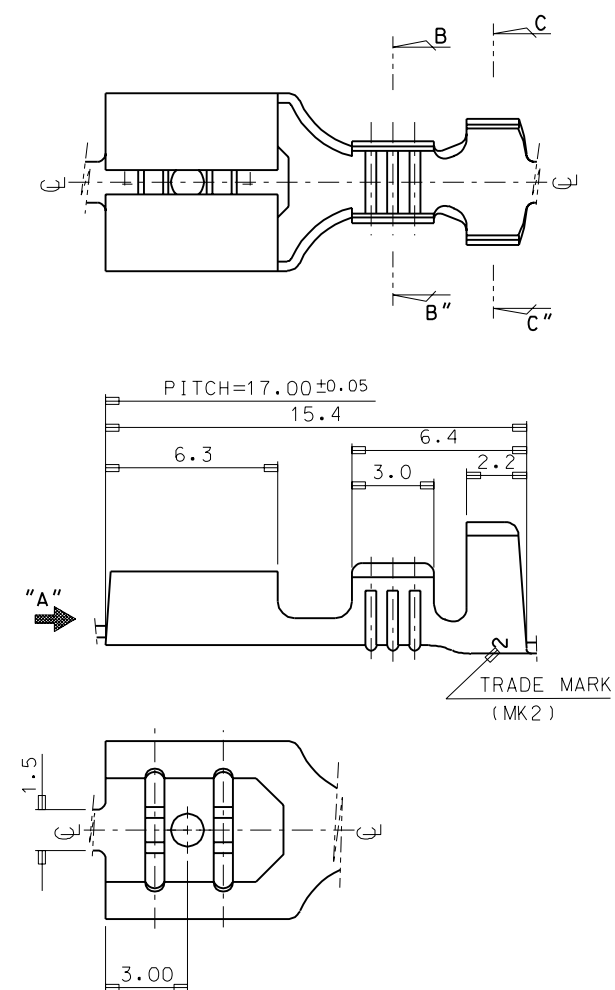
DO NOT SCALE DRAWING
 DIMENSION IN METRIC

PROJECT NO.

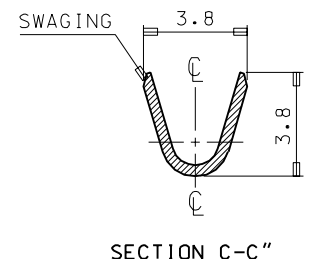
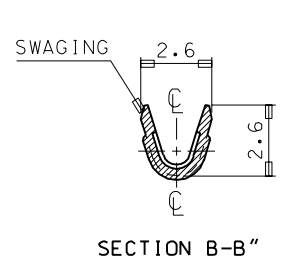
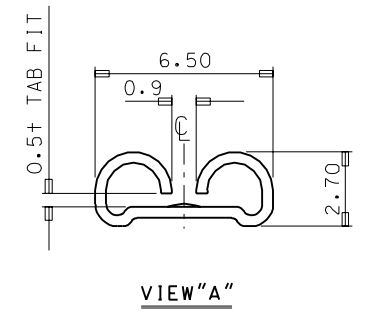
SIMILAR ITEM

EDP NO.

ENG. NO
 SD 35720-11*0



- NOTES
1. MATERIAL: BRASS , 0.40mm THICKNESS
 2. FINISH: 35720-1100 : UNPLATED
 35720-1110 : POST-PLATED TIN
 3. RECOMMENDED LENGTH OF WIRE STRIP IS 4.1-4.6mm.



| | | | | | | | | |
|-------------|-----------------|------------------|-----------------|---|------------------|-----------------------------|---------------------------|---------------------------------------|
| ASS'Y PART | | QTY/REEL OR PACK | SURFACE AREA | MATERIAL | SEE NOTES | WIRE RANGE | GENERAL TOLERANCES | MOLEX-KOREA CO.,LTD. |
| DESCRIPTION | ENG.NO. | 7,000 Q'TY /REEL | MM ² | DIMENSION CLASSIFICATION | | AWG: #24-#22 | DIM. : ±0.30 | |
| --- | --- | DIE NO. --- | LAYOUT NO. --- | <input checked="" type="checkbox"/> : CRITICAL <input checked="" type="checkbox"/> : MAJOR <input type="checkbox"/> : MINOR () : REFERENCE | | MM ² : 0.20-0.33 | ANGLE : ±0.20 | |
| A | NEW RELEASED | DR. 93-018 | --- | WIRE CRIMP WIDTH | INS. CRIMP WIDTH | INSULATION RANGE | REVISE ONLY ON CAD SYSTEM | |
| LTR | REVISION RECORD | ECN | DATE | DIE FEED | APPL FEED | WBDW | IBDW | TITLE: .205 SLIP-ON RECEPTACLE 1 of 1 |
| --- | --- | CHK | --- | --- | 17.0 | --- | --- | ENG.NO. SD 35720-11*0 |
| --- | --- | --- | --- | --- | --- | --- | --- | REV A |