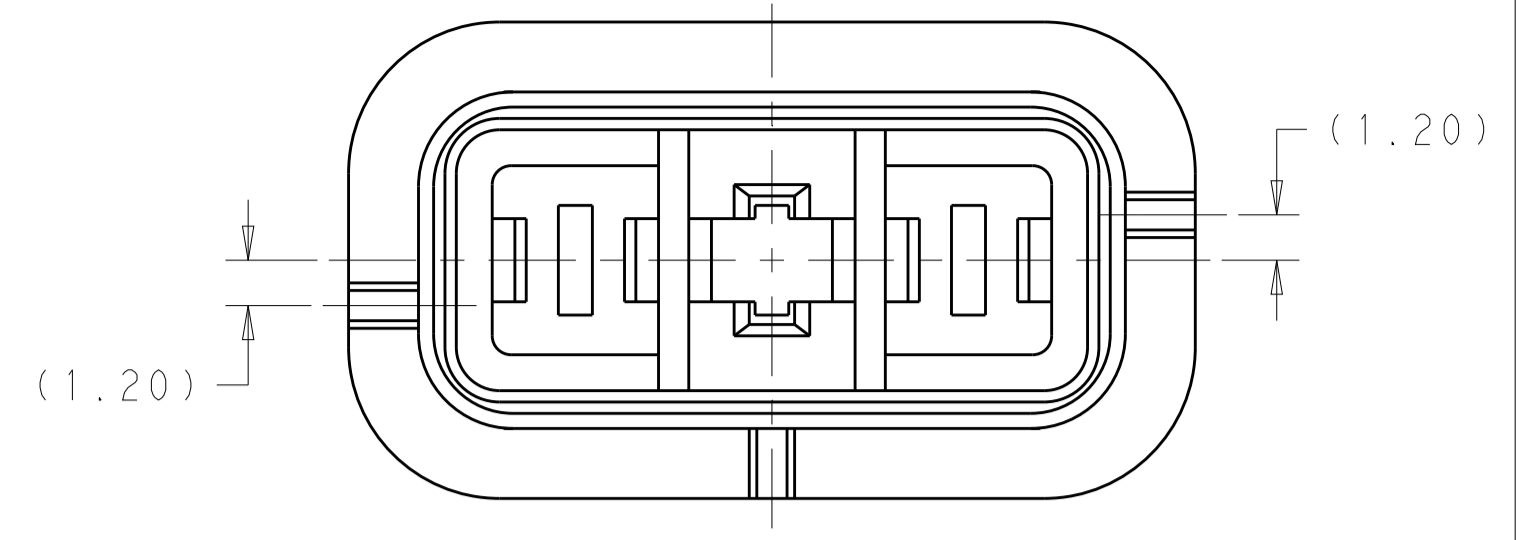
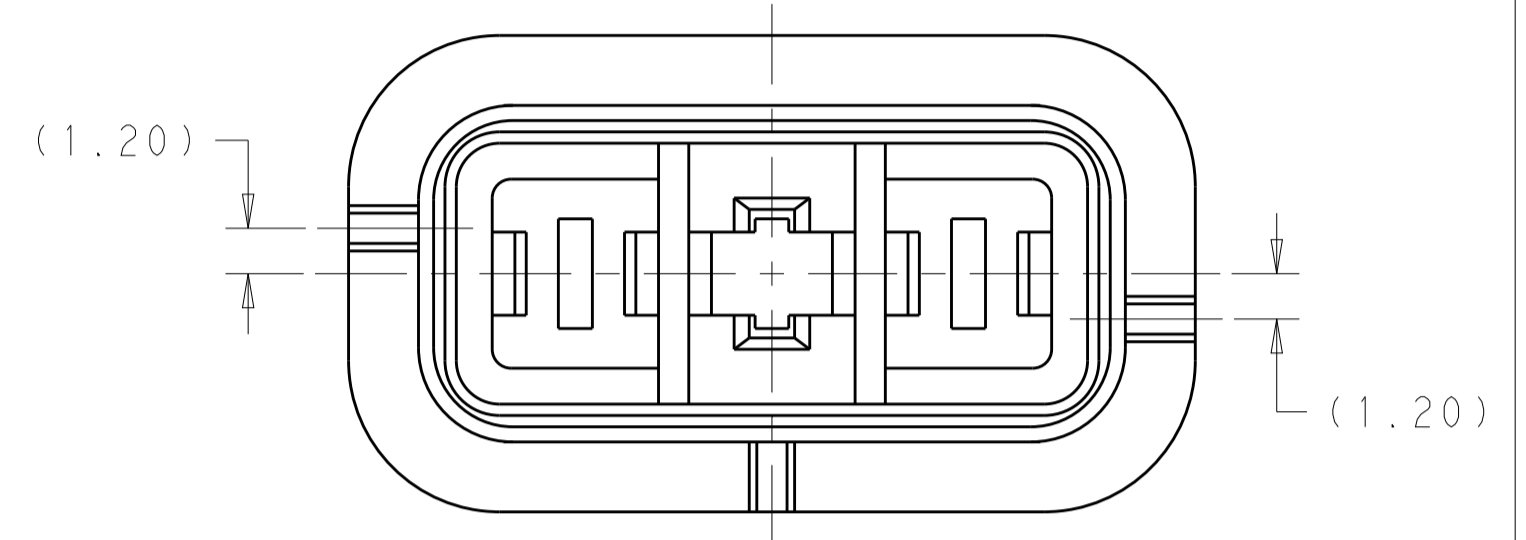


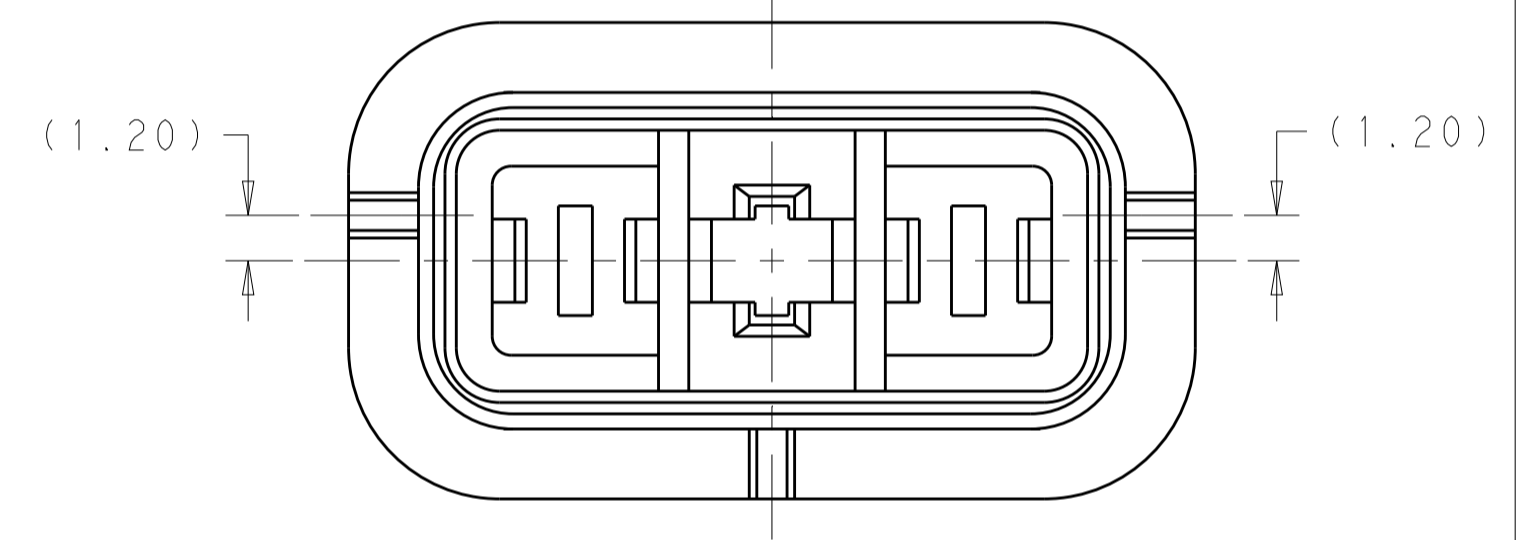
REVISIONS				
P.	LTN	DESCRIPTION	DATE	APVD
A		MODIFIED PER ECR-13-017811	25OCT2013	TD TD
A1		MODIFIED PER ECR-14-018094	15APR2015	SR TD



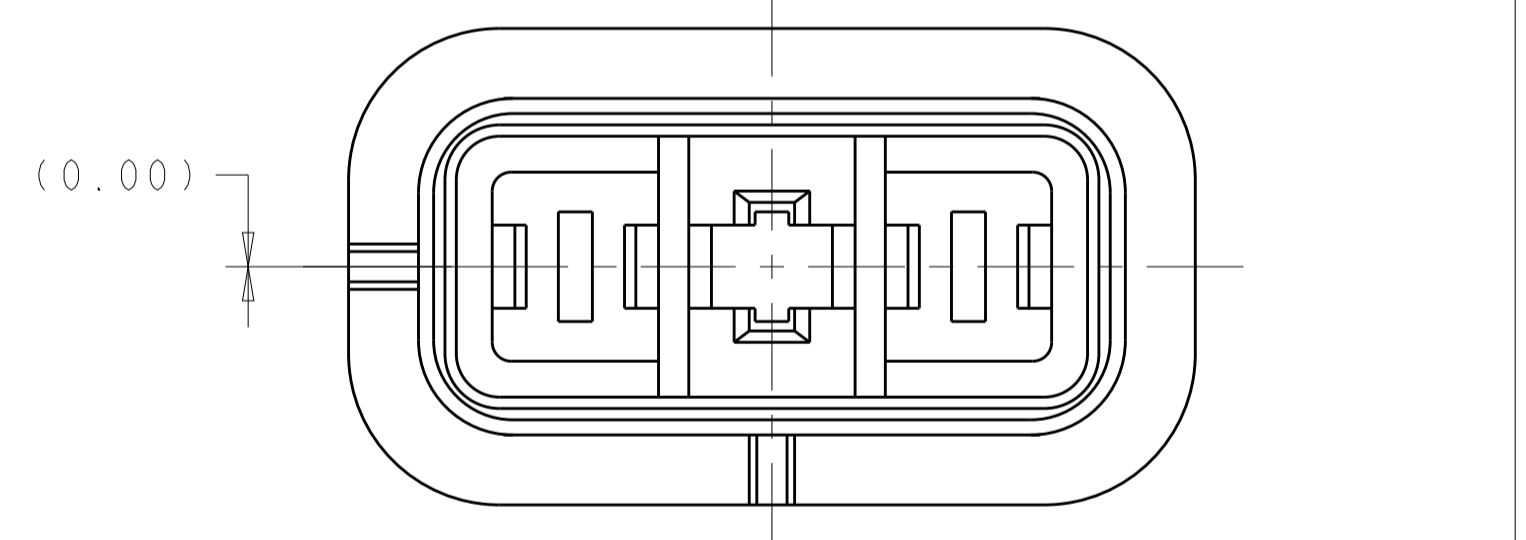
KEY A



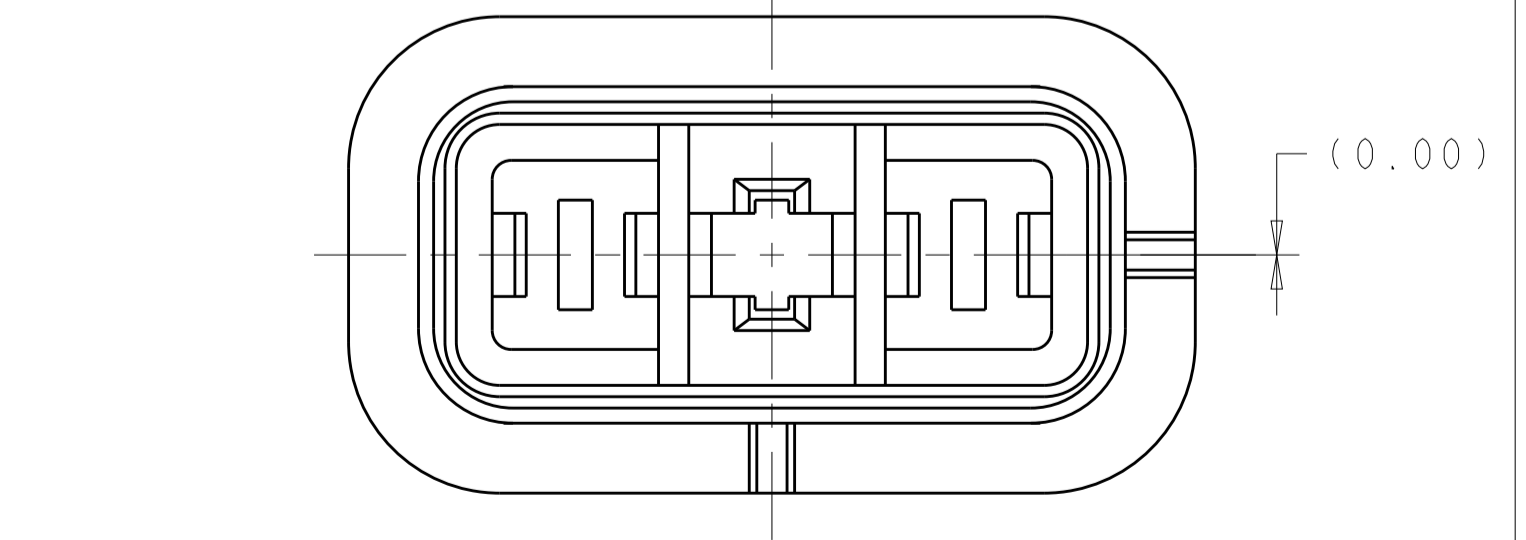
KEY B



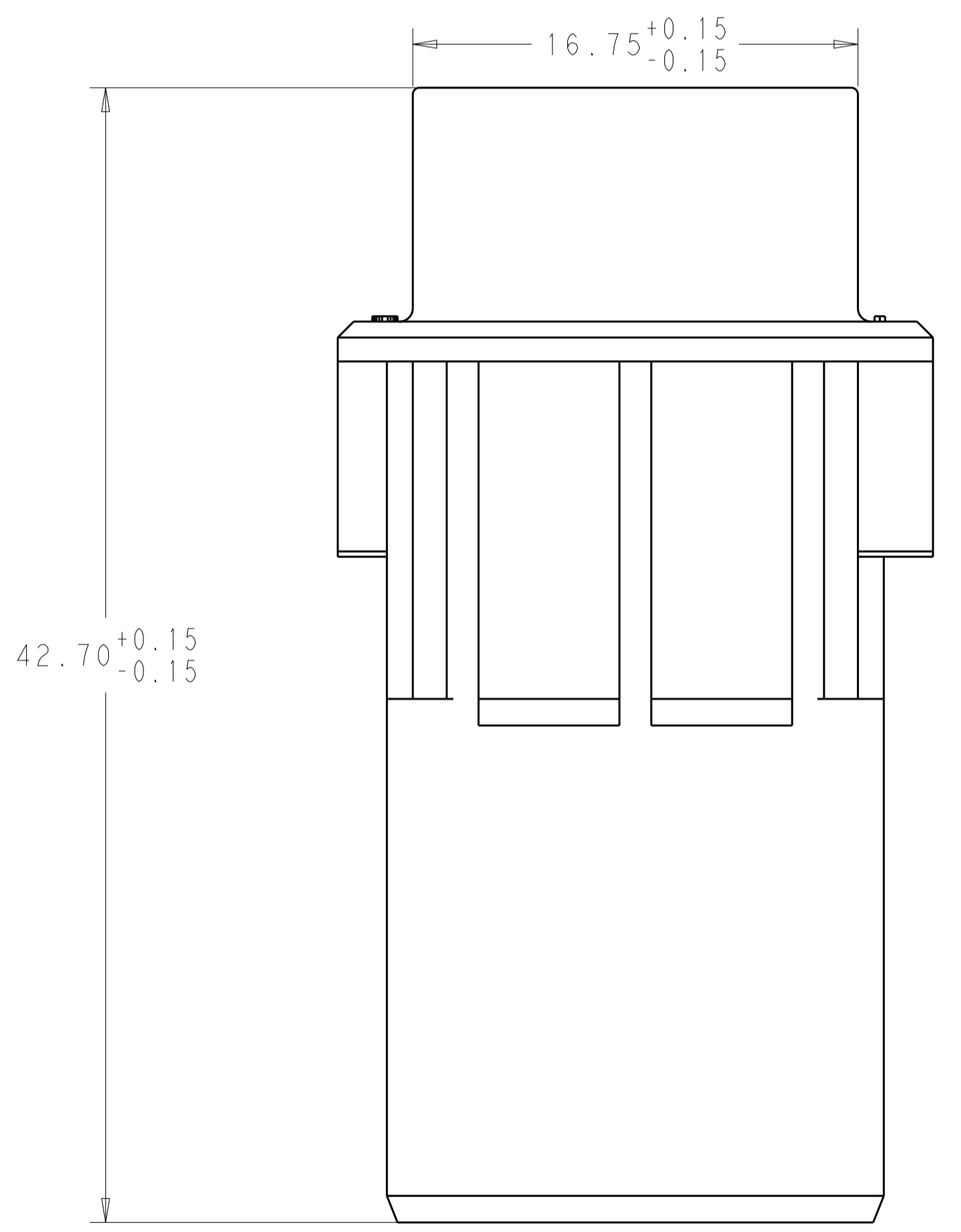
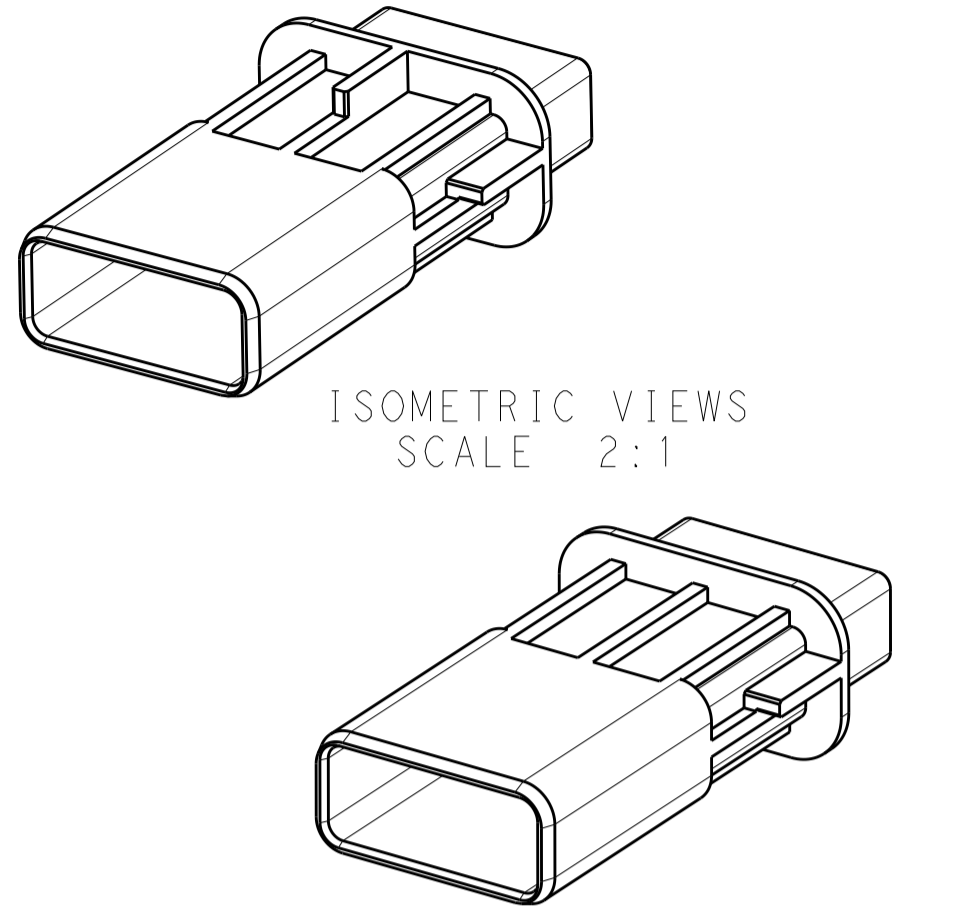
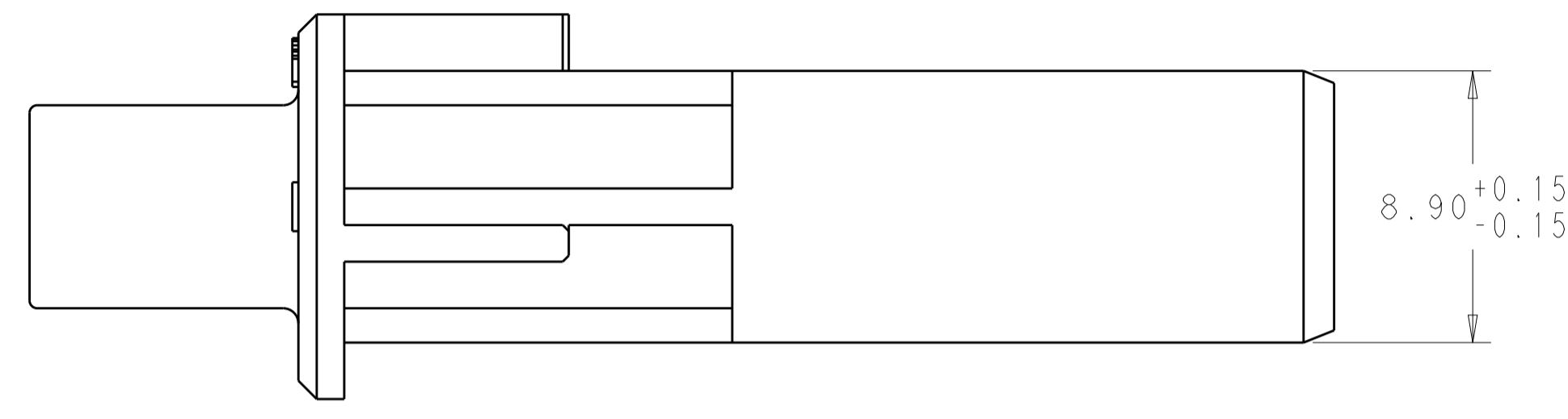
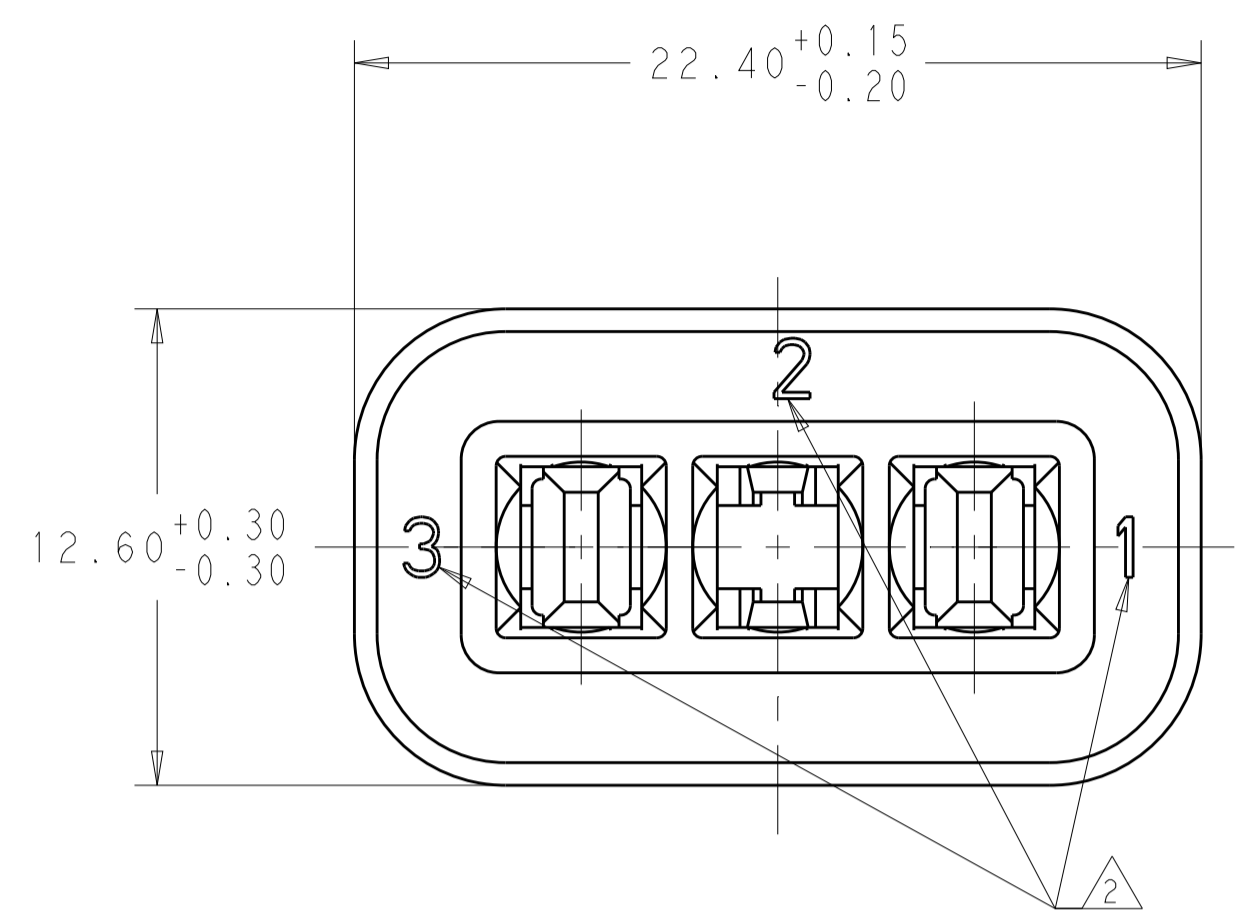
KEY D



KEY E



KEY F



- 1. MATERIAL:
 TYPE: PA66 33%GF HEAT STABILIZED
 COLOR: ORANGE
- 2. CIRCUIT I.D CHARACTERS RAISED AS SHOWN.
- 3. NOTE DELETED

DESCRIPTION	PART NUMBER
INNER HOUSING - KEY F	2103321-6
INNER HOUSING - KEY E	2103321-5
INNER HOUSING - KEY D	2103321-4
INNER HOUSING - KEY B	2103321-2
INNER HOUSING - KEY A	2103321-1

THIS DRAWING IS A CONTROLLED DOCUMENT.		OWN: R. SANTHOSH 13JUL2012	TE Connectivity	
DIMENSIONS: mm		CHK: T. DEWILTE 13JUL2012	NAME: HOUSING INNER HEADER, HVA280 3PX	
TOLERANCES UNLESS OTHERWISE SPECIFIED:		APVD: T. DEWILTE 13JUL2012	PRODUCT SPEC: -	
0 PLC ±0.15		APPLICATION SPEC: -		
1 PLC ±0.1		SIZE: -		
2 PLC ±0.05		CAGE CODE: -		
3 PLC ±0.05		DRAWING NO: A100779C=2103321		
4 PLC ±0.05		RESTRICTED TO: -		
ANGLES ±1°		WEIGHT: 3.58g		
FINISH: -		Customer Drawing		
MATERIAL: SEE NOTE 1		SCALE: 5:1		
		SHEET 1 OF 1		
		REV: A1		