



Terminals & Splices > Terminal Housings, Insulation Sleeves & Blocks > Crimp Terminal Housings



Terminal Type: **Receptacle**

Connector & Housing Type: **Receptacle**

Number of Positions: **1**

Terminal Orientation: **Straight**

UL Flammability Rating: **UL 94V-2**

Features

Product Type Features

Sealable	No
Connector & Housing Type	Receptacle

Configuration Features

Number of Positions	1
---------------------	---

Body Features

Primary Product Color	Natural
-----------------------	---------

Contact Features

Terminal Type	Receptacle
Terminal Orientation	Straight
Contact Mating Retention	Without

Mechanical Attachment

Mating Alignment	Without
------------------	---------

Housing Features

--	--



Housing Material	Soft PVC
------------------	----------

Dimensions

Product Length	25 mm[.984 in]
Compatible Insulation Diameter Range	1.8 mm[.071 in]

Usage Conditions

Operating Temperature Range	-40 – 105 °C[-40 – 221 °F]
-----------------------------	----------------------------

Industry Standards

UL Flammability Rating	UL 94V-2
------------------------	----------

Packaging Features

Packaging Method	Bag
------------------	-----

Product Compliance

[For compliance documentation, visit the product page on TE.com>](#)

EU RoHS Directive 2011/65/EU	Compliant
EU ELV Directive 2000/53/EC	Compliant
China RoHS 2 Directive MIIT Order No 32, 2016	No Restricted Materials Above Threshold
EU REACH Regulation (EC) No. 1907/2006	Current ECHA Candidate List: JUNE 2023 (235) Candidate List Declared Against: JUNE 2023 (235) SVHC > Threshold: Diocetyl tin dilaurate derivs (.4% in Component Part)
Halogen Content	Not Low Halogen - contains Br or Cl > 900 ppm.
Solder Process Capability	Not applicable for solder process capability

Product Compliance Disclaimer

This information is provided based on reasonable inquiry of our suppliers and represents our current actual knowledge based on the information they provided. This information is subject to change. The part numbers that TE has identified as EU RoHS compliant have a maximum concentration of 0.1% by weight in homogenous materials for lead, hexavalent chromium, mercury, PBB, PBDE, DBP, BBP, DEHP, DIBP, and 0.01% for cadmium, or qualify for an exemption to these limits as defined in the Annexes of Directive 2011/65/EU (RoHS2). Finished electrical and electronic equipment products will be CE marked as required by Directive 2011/65/EU. Components may not be CE marked. Additionally, the part numbers that TE has identified as EU ELV compliant have a maximum concentration of 0.1% by weight in homogenous materials for lead, hexavalent chromium, and mercury, and 0.01% for cadmium, or qualify for an exemption to these limits as defined in the Annexes of Directive 2000/53/EC (ELV). Regarding the REACH Regulation, the information TE provides on SVHC in articles for this part number is based on the latest European Chemicals Agency (ECHA) 'Guidance on requirements for substances in articles' posted at this URL: <https://echa.europa.eu/guidance-documents/guidance-on-reach>

Compatible Parts



TE Part # 170823-1
110 FASTON SLEEVE,TAB,
TRANSPARENT,NAT



TE Part # 1-170823-9
250 FASTON SLEEVE,REC.,
TRANSPARENT,NAT



TE Part # 170823-4
250 FASTON SLEEVE,REC.,
TRANSPARENT



TE Part # 1-170823-4
187 FASTON SLEEVE,REC.,
TRANSPARENT,NAT



TE Part # 1-170823-5
250 FASTON SLEEVE,REC.,
TRANSPARENT



TE Part # 170823-3
250 FASTON SLEEVE,REC.,
TRANSPARENT



TE Part # 1-170823-6
250 FASTON SLEEVE,REC.,
TRANSPARENT



TE Part # 1-170823-1
110 FASTON SLEEVE,REC.,
TRANSPARENT,NAT



TE Part # 1-170823-3
187 FASTON SLEEVE,REC.,
TRANSPARENT,NAT



TE Part # 1-170823-8
250 FASTON SLEEVE,REC.,
TRANSPARENT



TE Part # 170823-9
110 FASTON SLEEVE,REC.,
TRANSPARENT,NAT




TE Part # 2-170823-8
187 FASTON SLEEVE,FLAG,REC.,
TRANSPARENT

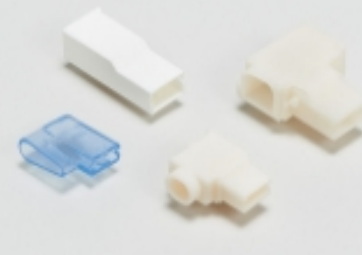


TE Part # 4-170823-1
205 FASTON SLEEVE,REC.,NATURAL


Also in the Series | FASTON 250




Compression Connectors(4)



Crimp Terminal Housings(142)



Insertion & Extraction Tools(6)



Magnet Wire Terminals(1)



PCB Terminals(135)

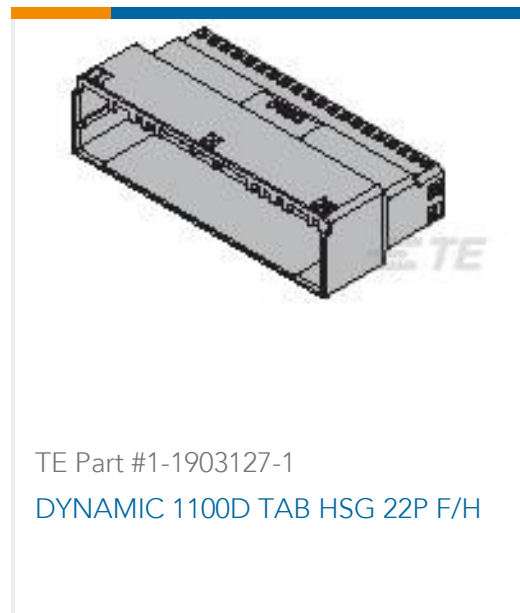
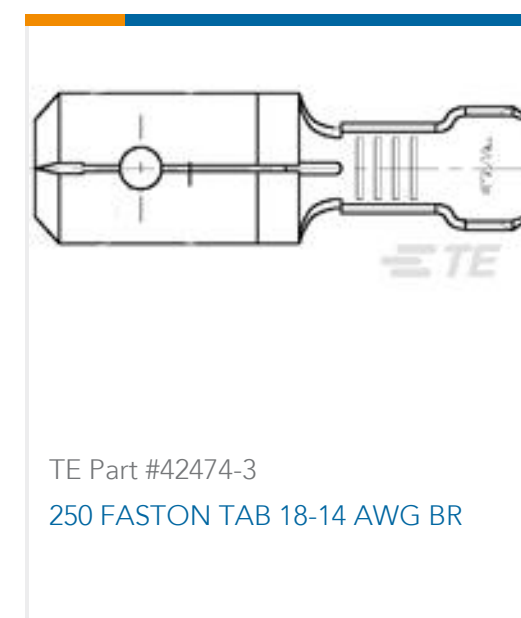


Quick Disconnects(445)



Splices(4)

Customers Also Bought

TE Part #1-178141-2
DYNAMIC CONN 6P V HDR ASSYTE Part #1-1903127-1
DYNAMIC 1100D TAB HSG 22P F/HTE Part #1-1825139-7
A205SYCQ04TE Part #CB5330-000
SST-48-07/226TE Part #CB5368-000
SST-48-15/226TE Part #1-1939261-4
DYNAMIC 1200D HDR ASSY V 8P X
NTRL GOLDTE Part #341001-3
PL 250 REC TERMINAL 13-11 TPBR LPTE Part #42474-3
250 FASTON TAB 18-14 AWG BR

Documents

Product Drawings

250 FASTON SLEEVE,REC.,TRANSPARENT

English

CAD Files

3D PDF

3D

Customer View Model

[ENG_CVM_CVM_170823-6_F.2d_dxf.zip](#)

English

Customer View Model

[ENG_CVM_CVM_170823-6_F.3d_igs.zip](#)

English

Customer View Model

[ENG_CVM_CVM_170823-6_F.3d_stp.zip](#)

English

By downloading the CAD file I accept and agree to the [Terms and Conditions](#) of use.



Datasheets & Catalog Pages

FASTON Housings

English

Product Specifications

INSULATION SLEEVE

English

Product Specification

English

Product Environmental Compliance

TE Material Declaration

English

[MD_170823-6_0513201538_dmtec](#)

English

[MD_170823-6_0513201538_dmtec](#)

English