

Data sheet**M12 plug protection cap IP54**

Page 1/4

P/N
700669

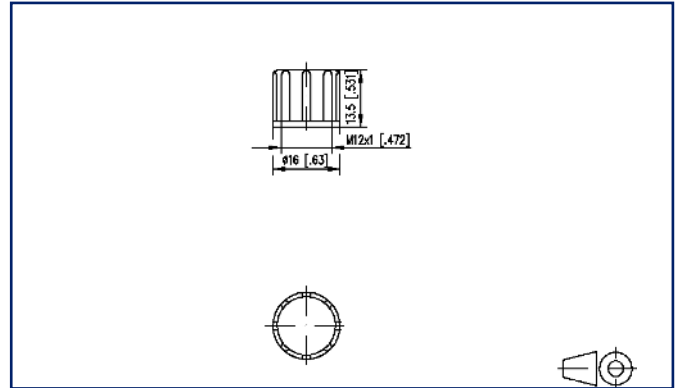
EAN 4250184169406

2023/04/04

Version: I

Illustrations

Dimensional drawing



See enlarged drawings at the end of document

Product specification

- Safety-cap M12x1
- for male connector
- screwable
- black, similar RAL9005



Technical Data

General Data

Mechanical measurement according to MICE	M1
Ingress measurement according to MICE	I1
Climatic measurement according to MICE	C1
Electromagnetic measurement according to MICE	E3
Design	Dust protection
Mounting style	Accessories
Color	black
Dimensions	
Dimension (L x W x H)	13.5 mm x 16 mm x 16 mm
Dimension (L x W x H)	0.531 in. x 0.63 in. x 0.63 in.

Mechanical data

Mounting method	screwable
-----------------	-----------

Materials and material properties

Halogen free	yes
RoHS	compliant

Environmental conditions

Particulate ingress	IP5X
Liquid ingress/immersion	IPX4

Classifications

ETIM 6.0	EC000723
ETIM 7.0	EC000723
ETIM 8.0	EC000723
ETIM 9.0	EC000723

Packing details

Type of packaging	1 pc(s) / plastic bag
-------------------	-----------------------

P | Cabling

Data sheet

Page 3/4

M12 plug protection cap IP54

P/N
700669

EAN 4250184169406

2023/04/04

Version: I

Accessories from

P/N	Designation
MNF881A115	M12 plug, D-coded, IP67 Cat. 5, field assembly, straight
MNF881A315	M12 Feldkonfektionierbarer Stecker gerade
MNF881A315-0001	M12 plug, X-coded, IP67 Cat. 6 _A , field assembly, straight
MNF881A315-DNV1	M12 field plug X-coded IP67, field assembly, straight DNV
MNF881A316-0003	M12 plug X-coded IP67, field assembly, straight, 0.8 μ AU

P | Cabling

Data sheet

M12 plug protection cap IP54

Page 4/4

P/N

700669

EAN 4250184169406

2023/04/04

Version: I

Illustrations

Dimensional drawing

