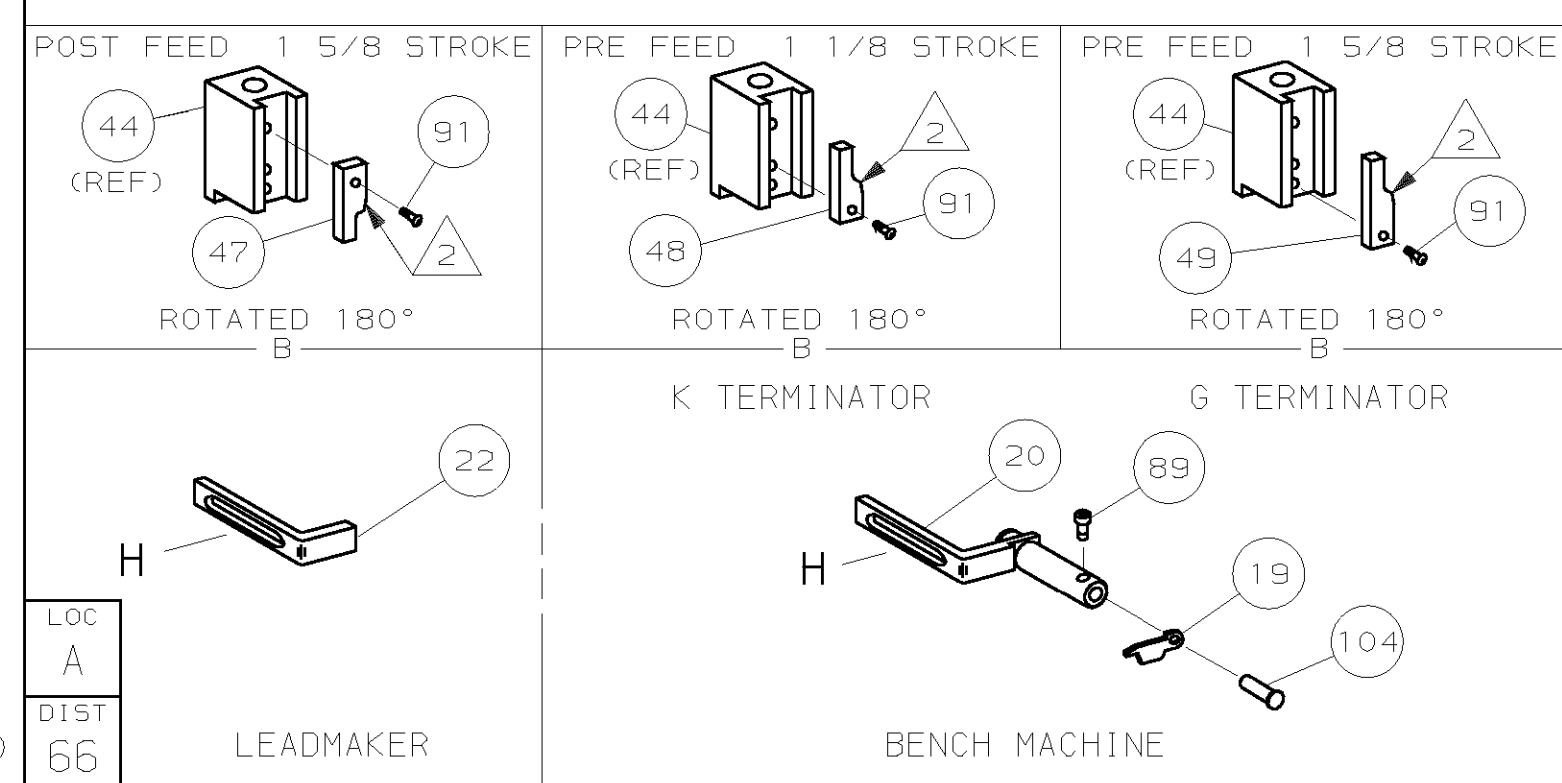
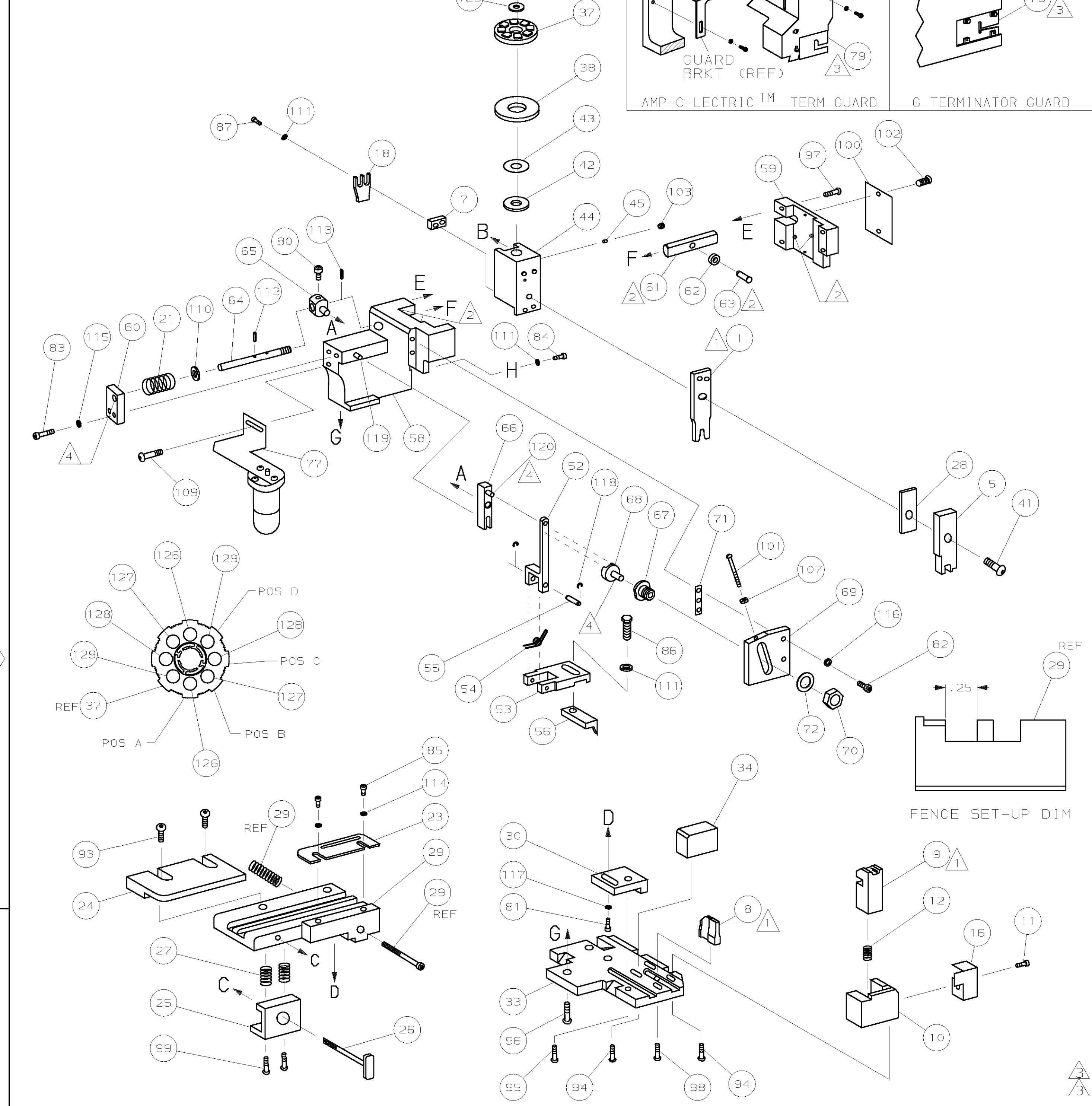


PART NUMBER	REV	FIRST USED
1385206-1	A	122500-1
1385206-2	A	565435-5
1385206-3	A	354500-1



- 1 RECOMMENDED SPARE PARTS.
- 2 GREASE LIGHTLY.
- 3 GUARD MUST BE IN PLACE WHEN OPERATING APPLICATOR IN A BENCH MACHINE.
- 4 LUBRICATE DAILY USING NO. 20 MACHINE OIL.
- 5. ITEMS WITH QTY OF REF SPECIFIED (EXCEPT ITEMS 78 AND 79) ARE USED ON ITEM 46.

TERMINAL NAME: TERMINAL									
AMP PN		MFR PN		ITT CANNON TERMINAL		AMP CRIMP SPECS			
286903-1		5C16M156		PAD LTR	CRIMP HEIGHT	WIRE SIZE			
				A	.056 ±.002	16			
				B	.050 ±.002	18			
				C	.045 ±.002	20			
				D	.042 ±.002	22			
				CRIMP	SIZE	TYPE	RANGE		
WIRE STRIP LENGTH		TERM APPL SPEC		FEED		APPL INSTRUCTION		SET UP GAGE	LAYOUT
.203-.250		NONE		.350		408-8040		458637-1	L2465
2	2	2	-	C	5-354779-4	PIN, WIRE DISC (.3260)D		129	
2	2	2	-	C	4-354779-6	PIN, WIRE DISC (.3220)C		128	
2	2	2	-	C	3-354779-6	PIN, WIRE DISC (.3170)B		127	
2	2	2	-	C	2-354779-4	PIN, WIRE DISC (.3110)A		126	
1	1	1	-	A	986950-1	WASHER, FLAT PRECISION		125	
1	1	1	-	A	217238-1	GENERAL INSTRUCTION PACKAGE		124	
1	1	1	-	-	4088040	SF APPL INST 408-8040		123	
								122	
								121	
REF	REF	REF	-	A	1-21030-1	PIN, DOWEL (Ø.187x.50)LEVER		120	
REF	REF	REF	-	A	1-21030-6	PIN, DOWEL (Ø.187x1.25)HOUSING		119	
REF	REF	REF	-	A	21045-3	RING, RET "C" (Ø.187)FD FING PIN		118	
1	1	1	-	A	21024-5	WASHER, LOCK (#10)ADJ BLOCK		117	
REF	REF	REF	-	A	21024-5	WASHER, LOCK (#10)ADJ PLATE		116	
REF	REF	REF	-	A	21024-5	WASHER, LOCK (#10)FEED GDE ROD		115	
2	2	2	-	A	21024-2	WASHER, LOCK (#4)FRONT STP GUIDE		114	
REF	REF	REF	-	A	5-21028-1	PIN, SLT 5PR (Ø.125x.50)ADJ ROD		113	
								112	
4	4	4	-	A	21024-4	WASHER, LOCK (#8)STRIPPER		111	
REF	REF	REF	-	A	21899-4	WASHER, FLAT (Ø5/16)SCREW ADJ		110	
-	1	-	-	A	2-21002-6	SCR, BHC (10-32x.38)LUBE ASSY		109	
								108	
REF	REF	REF	-	A	21068-5	NUT, HEX (6-32)FEED ADJ		107	
								106	
								105	
1	1	-	-	A	992031-1	PIN, CLEVIS		104	
1	1	1	-	A	21009-2	SCR, 5KT SET (1/4-20x.25 LW)RAM		103	
2	2	2	-	A	21017-2	SCR, DRIVE (#2x.19) ID PLATE		102	
REF	REF	REF	-	A	6-23715-5	SCR, PAN HD (6-32x1.50)FEED ADJ		101	
1	1	1	-	B	461264-1	PLATE, IDENTIFICATION		100	
2	2	2	-	A	3-21002-0	SCR, BHC (10-32x.88)DRAG		99	
1	1	1	-	A	22733-8	SCR, BHC (8-32x.38 LW)ANVIL		98	
REF	REF	REF	-	A	2-21002-9	SCR, BHC (10-32x.75)CAP		97	
REF	REF	REF	-	A	2-22733-8	SCR, BHC (1/4-20x.62)HOUSING		96	
REF	REF	REF	-	A	2-21002-7	SCR, BHC (10-32x.50)5G ADJ BLOCK		95	
4	4	4	-	A	2-21002-2	SCR, BHC (8-32x.50)TERM H DWN		94	
2	2	2	-	A	2-21002-1	SCR, BHC (8-32x.38)R STP GDE		93	
								92	
1	1	1	-	A	1-21002-7	SCR, BHC (6-32x.38)CAM		91	
								90	
1	1	-	-	A	7-21000-9	SCR, SHC (4-40x.19)STRIPPER		89	
								88	
2	2	2	-	A	2-21000-5	SCR, SHC (8-32x.25)DEP-HOLD		87	
1	1	1	-	A	2-22603-0	SCR, HEX HD (8-32x.31)FEED FINGER		86	
2	2	2	-	A	1-21000-3	SCR, SHC (4-40x.25)F ST GUIDE		85	
1	1	1	-	A	2-21000-7	SCR, SHC (8-32x.50)STRIPPER		84	
REF	REF	REF	-	A	3-21000-7	SCR, SHC (10-32x.75)FEED ROD GD		83	
REF	REF	REF	-	A	3-21000-6	SCR, SHC (10-32x.62)FD ADJ BLK		82	
1	1	1	-	A	3-21000-4	SCR, SHC (10-32x.38)5G ADJ BL		81	
REF	REF	REF	-	A	3-21000-4	SCR, SHC (10-32x.38)PIVOT BLK		80	
-	REF	-	-	B	455749-1	GUARD, WINDOW		79	
REF	-	-	-	B	679532-1	INSERT, GUARD		78	
-	1	-	-	C	1-465184-0	LUBRICATOR ASSY		77	
								76	
								75	
								74	
								73	
REF	REF	REF	-	A	458109-1	WASHER, SPECIAL		72	
REF	REF	REF	-	A	690517-1	SPACER		71	
QTY REOD PER ASSY		U/M		DWG SIZE	PART NO	DESCRIPTION		ITEM NO	
PARTS LIST									

LEADMAKER										MECH POST FEED									
-1					BENCH MODEL K					MECH PRE FEED					-2				
-3					BENCH MODEL G					MECH PRE FEED									
REF	REF	REF	-	B	22594-8	NUT, HEX (1/2-20)		70		REF	REF	REF	-	B	240628-1	PLATE, ADJUSTMENT		69	
REF	REF	REF	-	B	240626-1	SHAFT, PIVOT		68		REF	REF	REF	-	B	240633-1	BUSHING		67	
REF	REF	REF	-	A	455680-1	LEVER, INTERMEDIATE		66		REF	REF	REF	-	B	240629-1	BLOCK, PIVOT		65	
REF	REF	REF	-	A	240632-2	SCREW, ADJ FEED ROD		64		REF	REF	REF	-	B	240659-3	PIN, CAM ROLLER		63	
REF	REF	REF	-	B	240658-1	ROLLER, CAM		62		REF	REF	REF	-	B	454398-2	ROD, FEED		61	
REF	REF	REF	-	A	454178-1	GUIDE, FEED ROD		60		REF	REF	REF	-	C	454220-1	CAP, RAM		59	
REF	REF	REF	-	D	454485-1	HOUSING		58										57	
								56		1	1	1	-	B	690542-2	PAWL, FEED		56	
REF	REF	REF	-	B	240624-1	PIN, FEED FINGER		55		REF	REF	REF	-	B	691499-1	SPRING, FEED FINGER		54	
REF	REF	REF	-	B	690541-1	HOLDER, FEED FINGER		53		REF	REF	REF	-	B	690541-1	HOLDER, FEED FINGER		53	
REF	REF	REF	-	A	455679-1	LEVER, TERMINAL FEED ARM		52										51	
								50										49	
1	-	-	-	B	690602-6	CAM, PRE-FEED 1 5/8 ST		49		-	1	-	-	B	690602-5	CAM, PRE-FEED 1 1/8 ST		48	
-	-	-	-	B	690501-4	CAM, POST-FEED 1 5/8 ST		47		1	1	1	-	B	459456-1	APPLICATOR, BASIC (SUBASSY)		46	
1	1	1	-	A	690191-1	PLUG, NYLON		45		1	1	1	-	C	455673-1	RAM		44	
1	1	1	-	A	690125-1	WASHER, LAMINATED		43		1	1	1	-	A	690124-1	WASHER, RAM		42	
1	1	1	-	A	7-21002-9	BOLT, CRIMPER (5/16x1.00)		41										40	
								39										38	
1	1	1	-	A	690223-2	SPACER, INSULATION DISC		38		1	1	1	-	D	354777-1	WIRE DISC, PLASTIC		37	
1	1	1	-	A	22480-5	WASHER, SPRING		36		1	1	1	-	B	690212-1	POST, RAM		35	
1	1	1	-	B	690212-1	POST, RAM		35		1	1	1	-	B	3-690786-4	SUPPORT, TERMINAL		34	
REF	REF	REF	-	D	455675-1	PLATE, BASE		33										32	
								31										30	
REF	REF	REF	-	B	455689-1	BLOCK, STRIP GUIDE ADJ		30		1	1	1	-	C	318042-1	STRIP GUIDE PLATE ASSY		29	
1	1	1	-	C	318042-1	STRIP GUIDE PLATE ASSY		29		1	1	1	-	C	1-455888-9	SPACER, FRONT SHEAR DEP		28	
1	1	1	-	C	1-455888-9	SPACER, FRONT SHEAR DEP		28		2	2	2	-	A	1-22284-0	SPRING, DRAG		27	
2	2	2	-	A	1-22284-0	SPRING, DRAG		27		1	1	1	-	B	690546-1	LEVER, DRAG RELEASE		26	
1	1	1	-	B	240792-1	DRAG, TERMINAL		25		1	1	1	-	D	6-690504-2	GUIDE, STRIP (REAR)		24	
1	1	1	-	D	6-690504-2	GUIDE, STRIP (REAR)		24		1	1	1	-	A	690438-1	GUIDE, STRIP (FRONT)		23	
1	1	1	-	A	690438-1	GUIDE, STRIP (FRONT)		23		-	-	1	-	B	690472-2	STRIPPER		22	
-	-	1	-	B	690472-2	STRIPPER		22		REF	REF	REF	-	A	4-22284-9	SPRING, FEED RETURN		21	
REF	REF	REF	-	A	4-22284-9	SPRING, FEED RETURN		21		1	1	-	-	A	679218-1	STRIPPER WIRE STOP ASSY		20	
1	1	-	-	A	679218-1	STRIPPER WIRE STOP ASSY		20		1	1	-	-	B	458949-1				