

XILINXPWR-079 (HPA-079)  
TPS64203 Switching DC/DC Controller-Based Power Management Solution for  
Spartan™-3 Providing up to 3 A from  $V_{IN} = 5.0\text{ V}$  or  $3.3\text{ V}$

SUPPORTS:

- Spartan™-3 – supports PR213 at the following link: <http://www-s.ti.com/sc/techlit/slva174.pdf>
- Spartan™-II - board requires significant modification to support PR211 at the following link: <http://www-s.ti.com/sc/techlit/slva172.pdf>
- Spartan™-IIE - board requires significant modification to support PR212 at the following link: <http://www-s.ti.com/sc/techlit/slva173.pdf>

FEATURES:

- Tiny SOT-23 switching DC/DC controller, U2, delivers up to 3 A at low cost.
- Easily customizable design allows for maximum cost control by:
  - o Sizing Q3 for the amount of current up to 3 A to meet the application's  $I_{CCINT}$  requirement,
  - o Omitting current sense resistor R4 and connecting ISNS to the drain of Q3,
  - o Selecting the linear regulator from the TPS79xxx family to meet the application's  $I_{CCO}$  requirement.
- In-rush current (for charging decoupling capacitors and FPGA start-up) that places a demand on the input power supply is minimized by the use of the:
  - o External supervisory (SVS) IC, U1, which monitors the input rail and prevents the regulator from enabling until the input bulk capacitors (not shown in the schematic) are fully charged.
  - o Integrated soft-start of U2
  - o Soft-start circuit consisting of the external PMOS transistor Q4 and supporting passive components to provide 10 ms rise time for  $V_{CCO}$
  - o Sequential sequencing of  $V_{CCINT}$ ,  $V_{CCAUX}$  then  $V_{CCO}$ 
    - the discrete SVS circuit formed by bipolar transistors Q1 and Q2 and supporting passives enables the  $V_{CCAUX}$  regulator, U3
    - $V_{CCAUX}$  enables the  $V_{CCO}$  regulator, U4
- The design meets Xilinx's  $V_{CCINT}$  and  $V_{CCO}$  start-up profile requirements, where applicable, including monotonic voltage ramp, in-rush current and power voltage ramp time requirements.

IMPORTANT WEB LINKS:

- Link to the TI home page for Xilinx FPGA power management solutions at <http://www.ti.com/xilinuxfpga> for more information and other reference designs.

- Link to datasheets at <http://focus.ti.com/lit/ds/symlink/tps64203.pdf>, <http://focus.ti.com/lit/ds/symlink/tps78601.pdf>, <http://focus.ti.com/lit/ds/symlink/tps79401.pdf>, and <http://focus.ti.com/lit/ds/symlink/tlc7705.pdf>.
- Link to application note SLVA156 <http://focus.ti.com/lit/an/slva156/slva156.pdf> for more details on the soft-start circuit.
- Link to application note SLVA118 <http://focus.ti.com/lit/an/slva118/slva118.pdf> to explore the thermal considerations when using linear regulators.
- Link to application note SLVA160 <http://focus.ti.com/lit/an/slva160/slva160.pdf> for guidance on selecting a different option from the TPS642xx family.
- Link to application note SLVA159 <http://focus.ti.com/lit/an/slva159a/slva159a.pdf> when using 3.3-V JTAG ports.

#### IMPLEMENTATION NOTES:

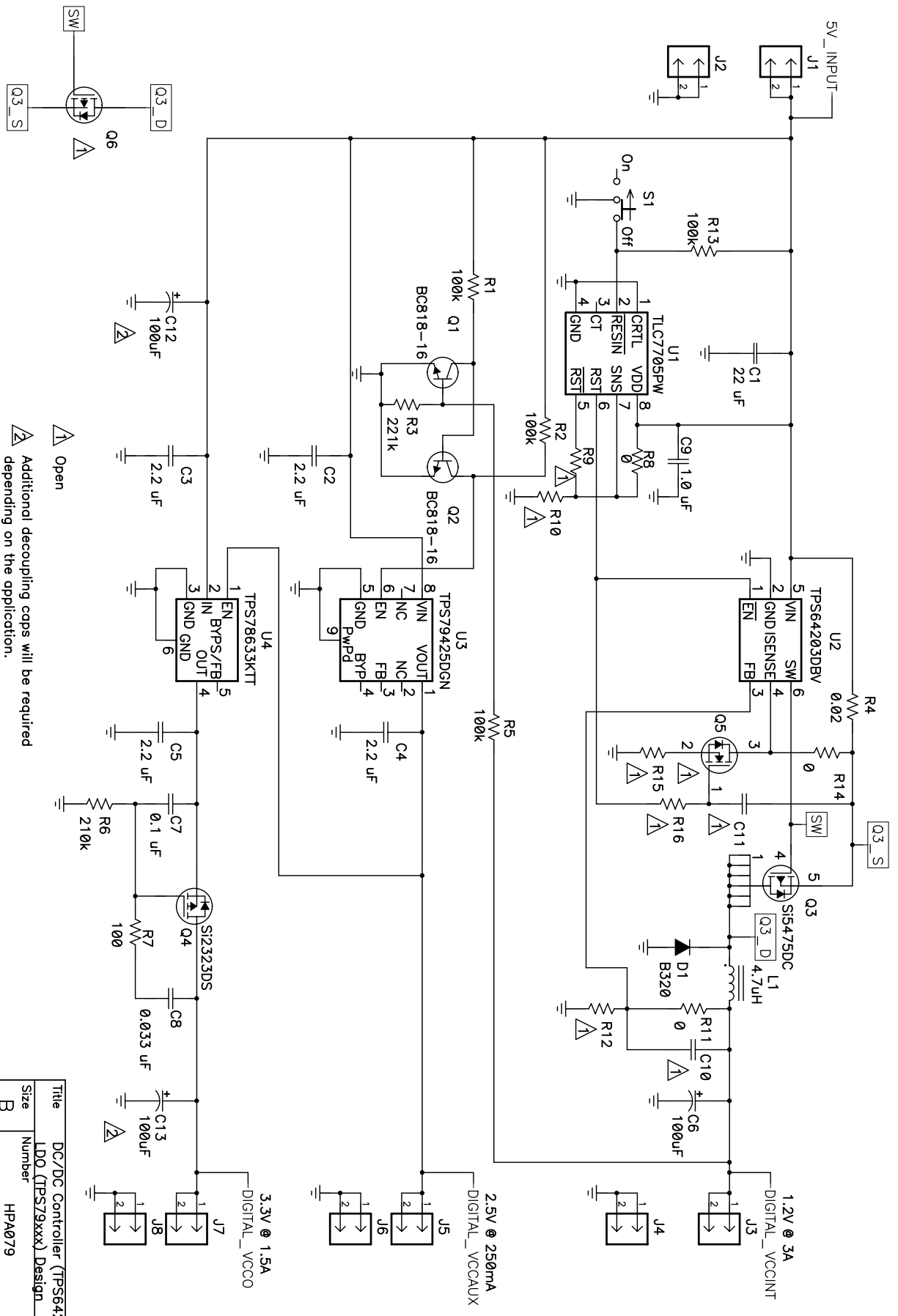
- **Sequencing:** Although Xilinx FPGAs **do NOT require it**, this reference design employs sequencing. This practice is consistent with good power supply design and prevents the input power supply from being pulled down due to supporting in-rush currents for charging large capacitive loads all at once.
- **V<sub>CCO</sub> minimum ramp time:** Met by Q4 soft-start circuit
- **Power Dissipation/Thermal Issues:**
  - o Diode D1 in SMA package can only support 3A for ambient temperatures below 35 C. This diode will need to be increased to an SMC package or DDPACK package in order to provide the power dissipation necessary for higher ambient temperature. Refer to the diode's datasheet for thermal specifications.
  - o Refer to the application section of the linear regulator datasheet for maximum power dissipation at different ambient conditions as well as guidance on sizing the ground plane area underneath the package for heatsinking.
- **Designing with the TPS64203:**
  - o The TPS64203 controller has limited current to drive the gate of the PMOS transistor, Q3. To ensure proper operation of the controller, a PMOS transistor with a maximum total gate charge, Q<sub>g</sub>, of less than 50 nC is required.
  - o Omitting current sense resistor R4 and connecting ISNS to the drain of Q3, thereby using the R<sub>DSon</sub> of Q3 as the current sense, results in an effective, but slightly less accurate, current limit function.
- **Soft Start Circuitry:**
  - o PMOS transistor Q4 should be selected so that its threshold voltage, V<sub>TH</sub>, is at least 0.9 V below the V<sub>CCO</sub> voltage or lower (e.g., V<sub>TH</sub> ≤ 3.3 V – 0.9 V = 2.4 V). In addition, the transistor's R<sub>DSon</sub> should be low enough when driven by the output of the linear regulator so that the voltage drop across

the transistor at maximum current (e.g.,  $I_{CCINTmax} * R_{DSon}$ ) does not cause  $V_{CCO}$  to fall below its -5% tolerance.

- The drain of Q4 needs at least 10 uF of total capacitance in order for the soft-start circuit to work properly. The additional bulk bypass capacitance (not shown in the schematic) required for the  $V_{CCO}$  rail of the FPGA will most likely meet this requirement.
- **Layout:** The 1.0 uF capacitor, C7, should be placed as close as possible between VDD and GND of the TLC77xx SVS IC.
- **Modifications:**
  - CT of TLC7705 is not connected, but can be used with a capacitor to add a delay between the 5 V rail coming up and  $RST = /EN$  of TPS64203.
  - Adapt for 3.3V supply by:
    - Omitting U4 circuit,
    - Replacing TLC7705 with TLC7733.
  - For a low-cost, discrete Supply Voltage Supervisory Circuit alternative to U1, please see reference design PR286 (Active-High Reset Output) or PR281 (Active-Low Reset Output).
- **3.3V Configuration**
  - The Spartan-3 FPGA configuration and JTAG ports commonly use signals with a 2.5-V swing. Alternatively, it is possible to use 3.3-V signals simply by adding a few external resistors. The 3.3-V signals can cause a reverse current that flows from certain configurations and JTAG input pins, through the FPGA, to the  $V_{CCAUX}$  power rail. Therefore, please refer to application note SLVA159 <http://focus.ti.com/lit/an/slva159a/slva159a.pdf> for implementation guidance.

QUESTIONS?

- Send an email to [fpgasupport@list.ti.com](mailto:fpgasupport@list.ti.com)



△ Open  
 △ Additional decoupling caps will be required depending on the application.

Title	DC/DC Controller (TPS64203) and LDO (TPS79xxx) Design		
Size	B	Number	HPA079
Date	08/17/04		
Filename	hpd079a.sch		Sheet
			Drawn by
			Rev
			A

Filename: HPA079A_bom.xls					
Date: 08/17/2004					
<b>HPA079A BOM</b>					
COUNT	RefDes	Description	SIZE	MFR	Part Number
1	C1	Capacitor, Ceramic, 22-uF, 10-V, X5R, 10%	1210	muRata	GRM32ER61A226KA65
0	C10, C11	Capacitor, Ceramic, xx-uF, xx-V	603		
4	C2, C3, C4, C5	Capacitor, Ceramic, 2.2-uF, 6.3-V, X5R, 10%	805	muRata	GRM21BR60J225KC01
3	C6, C12, C13	Capacitor, Tantalum, 100-uF, 10-V, 95-milliohm, 20%	7343 (D)	Vishay	594D107X0010D2T
1	C7	Capacitor, Ceramic, 0.1-uF, 25-V, X7R, 10%	603	muRata	GRM188R71E104KA01
1	C8	Capacitor, Ceramic, 0.033-uF, 16-V, X7R, 10%	603	muRata	GRM188R71C333KA01
1	C9	Capacitor, Ceramic, 1.0-uF, 6.3-V, X5R, 10%	603	muRata	GRM188R60J105KA01
1	D1	Diode, Schottky Barrier Rectifier, 3-A, 20-V	SMA	Diodes Inc.	B320A
8	J1 - J8	Header, 2-pin, 100mil spacing, (36-pin strip)	0.100 x 2	Sullins	PTC36SAAN
1	L1	Inductor, SMT, 4.7-uH, 4.5-A, 2-milliohm	0.484 x 0.484	Coilcraft	MSS1260-472MX
2	Q1, Q2	Bipolar, NPN, 30-V, 800-mA, 310-mW	SOT23	Vishay	BC818-16
1	Q3	MOSFET, P-ch, 20V,4.8-A, 76-milliohm	1206-8	Vishay	Si5475DC
1	Q4	MOSFET, P-ch, -20 V, 4 A, 51 milliohm	SOT23	Vishay	Si2323DS
0	Q5	MOSFET, N-ch	SOT23		
0	Q6	MOSFET, P-ch	SOT23		
4	R1, R2, R5, R13	Resistor, Chip, 100k-Ohms, 1/16-W, 1%	603	Std	Std
1	R3	Resistor, Chip, 221k-Ohms, 1/16-W, 1%	603	Std	Std
1	R4	Resistor, Chip, 0.02-Ohms, 1/4-W, 1%	1210	Std	Std
1	R6	Resistor, Chip, 210k-Ohms, 1/16-W, 1%	603	Std	Std
1	R7	Resistor, Chip, 100-Ohms, 1/16-W, 1%	603	Std	Std
3	R8, R11, R14	Resistor, Chip, 0-Ohms, 1/16-W, 5%	603	Std	Std
0	R9, R10, R12, R15, R16	Resistor, Chip, xx-Ohms, 1/16-W	603		
1	S1	Switch, 1P2T, Slide, PC-mount, 200-mA	0.46 x 0.16	E_Switch	EG1218
1	U1	IC, Voltage Supervisor, Micropower	TSSOP-8	TI	TLC7705PW
1	U2	IC, Step-Down Controller	SOT23-6	TI	TPS64203DBV
1	U3	IC, Utralow-Noise, High PSRR, Fast RF 250 mA, LDO Linear Regulators, 2.5V	MSOP 8	TI	TPS79425DGN
1	U4	IC, Ultra Low-Noise, High PSRR, Fast RF 1.5A LDO Linear Regulator	DDPAK-5	TI	TPS78633KTT
1	--	PCB, 2.7 In x 2.45 In x 0.062 In		Any	HPA079
Notes:					
1. These assemblies are ESD sensitive, ESD precautions shall be observed.					
2. These assemblies must be clean and free from flux and all contaminants.					
Use of no clean flux is not acceptable.					
3. These assemblies must comply with workmanship standards IPC-A-610 Class 2.					
4. Ref designators marked with an asterisk (***) cannot be substituted.					
All other components can be substituted with equivalent MFG's components.					

## IMPORTANT NOTICE

Texas Instruments Incorporated and its subsidiaries (TI) reserve the right to make corrections, modifications, enhancements, improvements, and other changes to its products and services at any time and to discontinue any product or service without notice. Customers should obtain the latest relevant information before placing orders and should verify that such information is current and complete. All products are sold subject to TI's terms and conditions of sale supplied at the time of order acknowledgment.

TI warrants performance of its hardware products to the specifications applicable at the time of sale in accordance with TI's standard warranty. Testing and other quality control techniques are used to the extent TI deems necessary to support this warranty. Except where mandated by government requirements, testing of all parameters of each product is not necessarily performed.

TI assumes no liability for applications assistance or customer product design. Customers are responsible for their products and applications using TI components. To minimize the risks associated with customer products and applications, customers should provide adequate design and operating safeguards.

TI does not warrant or represent that any license, either express or implied, is granted under any TI patent right, copyright, mask work right, or other TI intellectual property right relating to any combination, machine, or process in which TI products or services are used. Information published by TI regarding third-party products or services does not constitute a license from TI to use such products or services or a warranty or endorsement thereof. Use of such information may require a license from a third party under the patents or other intellectual property of the third party, or a license from TI under the patents or other intellectual property of TI.

Reproduction of information in TI data books or data sheets is permissible only if reproduction is without alteration and is accompanied by all associated warranties, conditions, limitations, and notices. Reproduction of this information with alteration is an unfair and deceptive business practice. TI is not responsible or liable for such altered documentation.

Resale of TI products or services with statements different from or beyond the parameters stated by TI for that product or service voids all express and any implied warranties for the associated TI product or service and is an unfair and deceptive business practice. TI is not responsible or liable for any such statements.

Following are URLs where you can obtain information on other Texas Instruments products and application solutions:

<b>Products</b>		<b>Applications</b>	
Amplifiers	<a href="http://amplifier.ti.com">amplifier.ti.com</a>	Audio	<a href="http://www.ti.com/audio">www.ti.com/audio</a>
Data Converters	<a href="http://dataconverter.ti.com">dataconverter.ti.com</a>	Automotive	<a href="http://www.ti.com/automotive">www.ti.com/automotive</a>
DSP	<a href="http://dsp.ti.com">dsp.ti.com</a>	Broadband	<a href="http://www.ti.com/broadband">www.ti.com/broadband</a>
Interface	<a href="http://interface.ti.com">interface.ti.com</a>	Digital Control	<a href="http://www.ti.com/digitalcontrol">www.ti.com/digitalcontrol</a>
Logic	<a href="http://logic.ti.com">logic.ti.com</a>	Military	<a href="http://www.ti.com/military">www.ti.com/military</a>
Power Mgmt	<a href="http://power.ti.com">power.ti.com</a>	Optical Networking	<a href="http://www.ti.com/opticalnetwork">www.ti.com/opticalnetwork</a>
Microcontrollers	<a href="http://microcontroller.ti.com">microcontroller.ti.com</a>	Security	<a href="http://www.ti.com/security">www.ti.com/security</a>
		Telephony	<a href="http://www.ti.com/telephony">www.ti.com/telephony</a>
		Video & Imaging	<a href="http://www.ti.com/video">www.ti.com/video</a>
		Wireless	<a href="http://www.ti.com/wireless">www.ti.com/wireless</a>

Mailing Address: Texas Instruments  
Post Office Box 655303 Dallas, Texas 75265