

THIS DRAWING IS UNPUBLISHED.

RELEASED FOR PUBLICATION

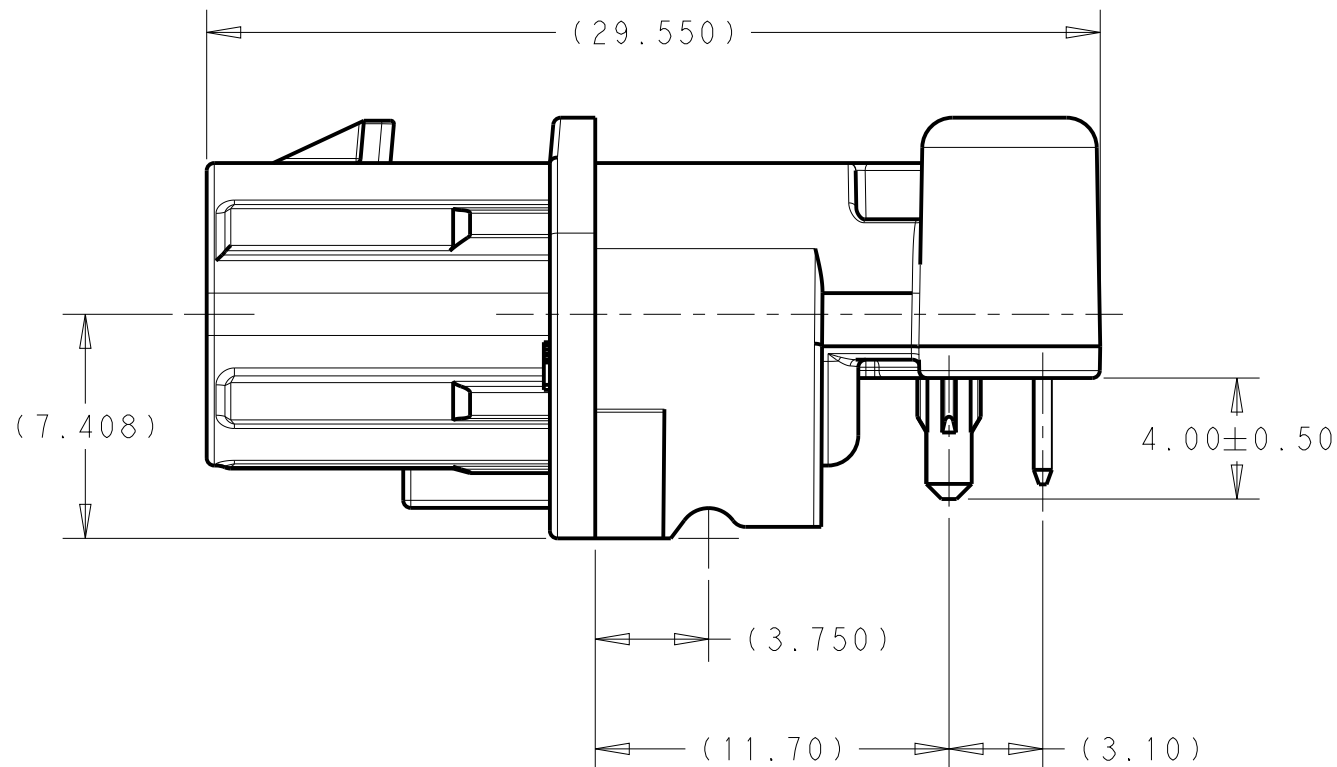
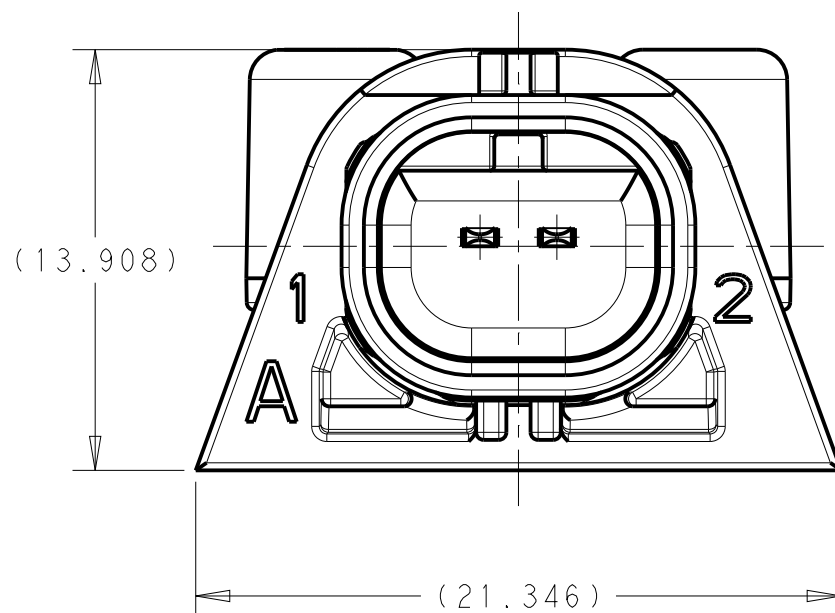
20

© COPYRIGHT 20 BY -

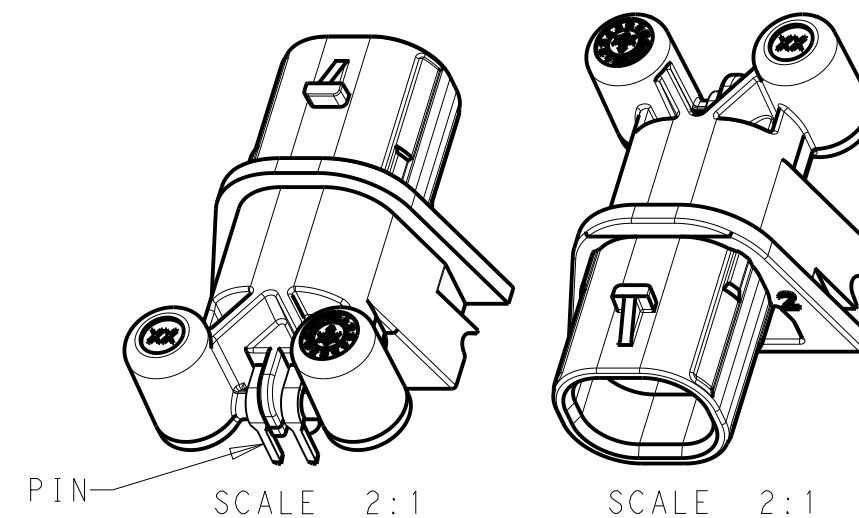
ALL RIGHTS RESERVED.

REVISIONS

P	LTR	DESCRIPTION	DATE	DWN	APVD
	A	INITIAL RELEASE	28JAN2021	AS	JB



ISOMETRIC VIEWS  
(FOR REFERENCE ONLY)  
HEADER HOUSING




4 THIS PART MATES WITH 2-WAY PLUG, P/N 2292906-1/2.  
SEE SHEET 2 FOR KEYING ARRANGMENTS.

3. OPERATING TEMPERATURE; -40 TO +125°C

2. REFERENCE TO DRAWING 2295114 FOR CONNECTOR INTERFACE DIMENSIONS.

1. MATERIAL:

HOUSING - PBT GF30  
COLOR - BLACK  
TERMINALS - COPPER ALLOY, PLATING: GOLD OR SILVER

THIS DRAWING IS A CONTROLLED DOCUMENT.		DWN CHETHAN.M 24SEP2018	 TE Connectivity	
DIMENSIONS: mm		CHK D.F. STACK 17DEC2020		
TOLERANCES UNLESS OTHERWISE SPECIFIED:		APVD J. BARTH 18DEC2020	NAME enetSEAL+ 2POS, TAB1.2X0.6, HDR ASSY, 90DEG, SLDR	
0 PLC ±-		PRODUCT SPEC 108-151045	SIZE A3	
1 PLC ±-		APPLICATION SPEC 114-151045	CAGE CODE -	DRAWING NO C-2339032
2 PLC ±.25		WEIGHT 3.57 g	RESTRICTED TO -	
3 PLC ±-		CUSTOMER DRAWING	SCALE 4:1	SHEET 1 OF 4
4 PLC ±-			REV A	
ANGLES ±°				
FINISH -				
MATERIAL SEE NOTE 1				

4

3

2

1

THIS DRAWING IS UNPUBLISHED.

RELEASED FOR PUBLICATION

20

© COPYRIGHT 20

BY -

ALL RIGHTS RESERVED.

REVISIONS

P	LTR	DESCRIPTION	DATE	DWN	APVD
-		SEE SHEET 1	-	-	-

2339032-1 (Au PLATED)  
&  
2339032-7 (Ag PLATED)

AS SHOWN  
KEY CODE A

2339032-2 (Au PLATED)  
&  
2339032-8 (Ag PLATED)

AS SHOWN  
KEY CODE B

THIS DRAWING IS A CONTROLLED DOCUMENT.

DIMENSIONS:

mm

TOLERANCES UNLESS OTHERWISE SPECIFIED:

0 PLC	±-
1 PLC	±-
2 PLC	±.25
3 PLC	±-
4 PLC	±-
ANGLES	±2°

MATERIAL  
SEE NOTE 1

FINISH

DWN 24SEP2018

CHETHAN.M

CHK 17DEC2020

D.F. STACK

APVD 18DEC2020

J. BARTH

PRODUCT SPEC

108-151045

APPLICATION SPEC

114-151045

WEIGHT

3.57 g

CUSTOMER DRAWING

TE Connectivity

NAME

enetSEAL+  
2POS, TAB1.2X0.6, HDR ASSY, 90DEG, SLDR

SIZE

A3

CAGE CODE

-

DRAWING NO

C-2339032

RESTRICTED TO

-

SCALE 2:1

SHEET 2 OF 4

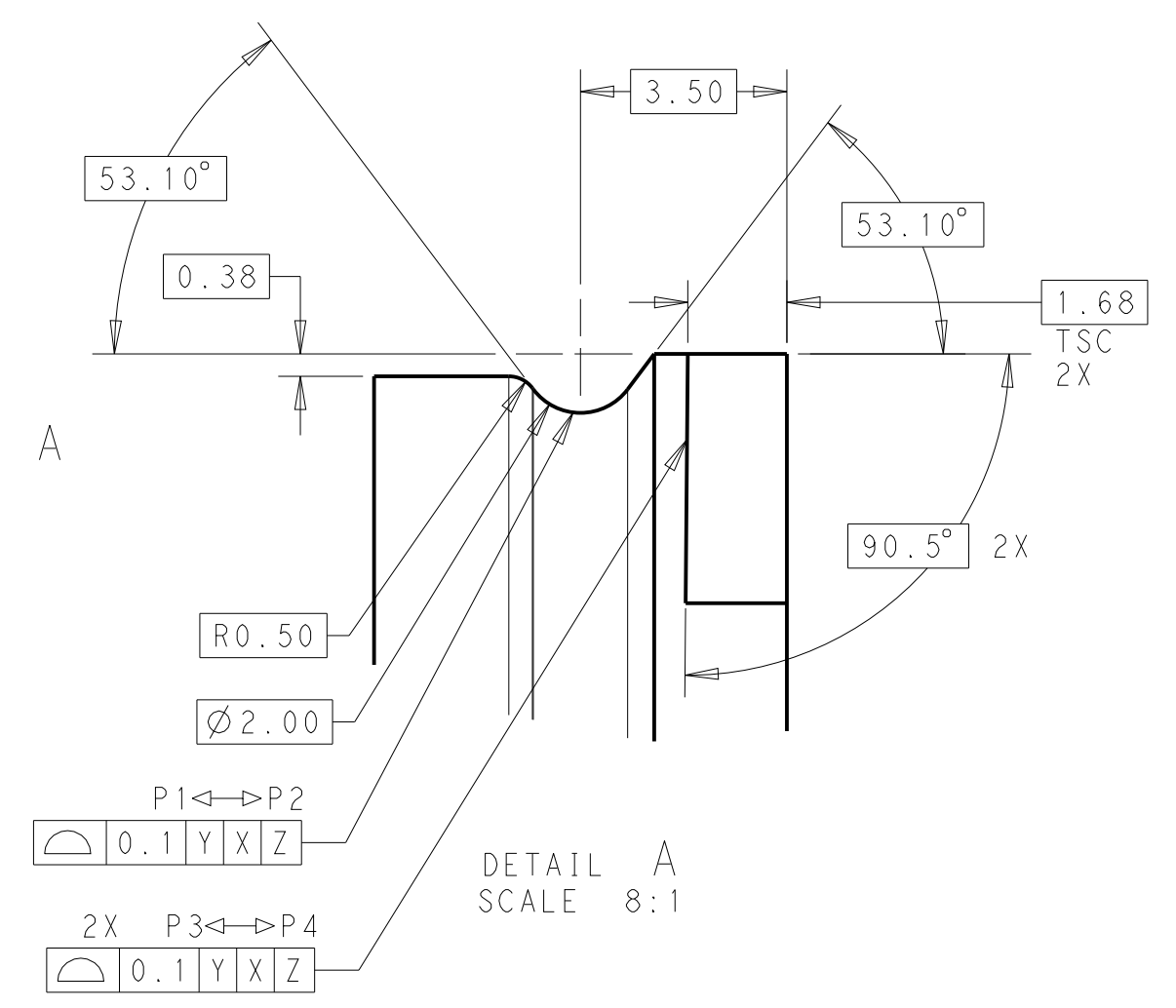
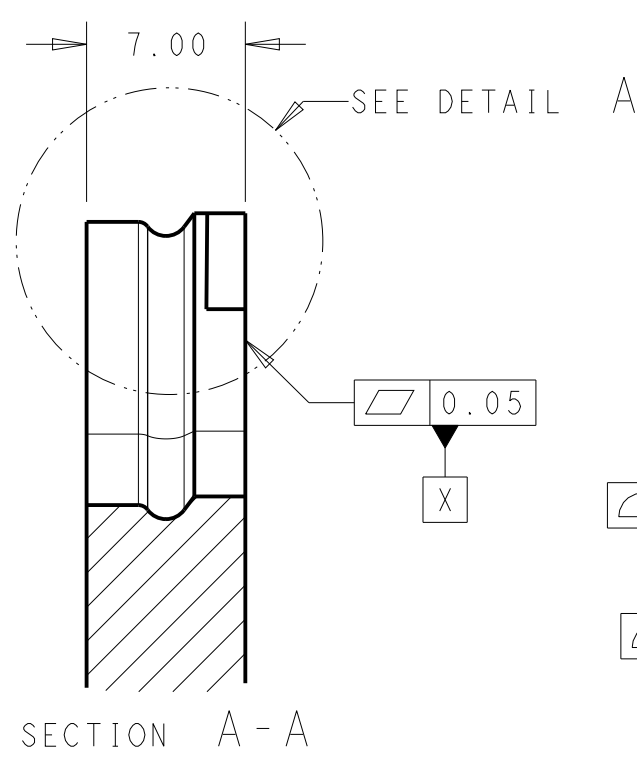
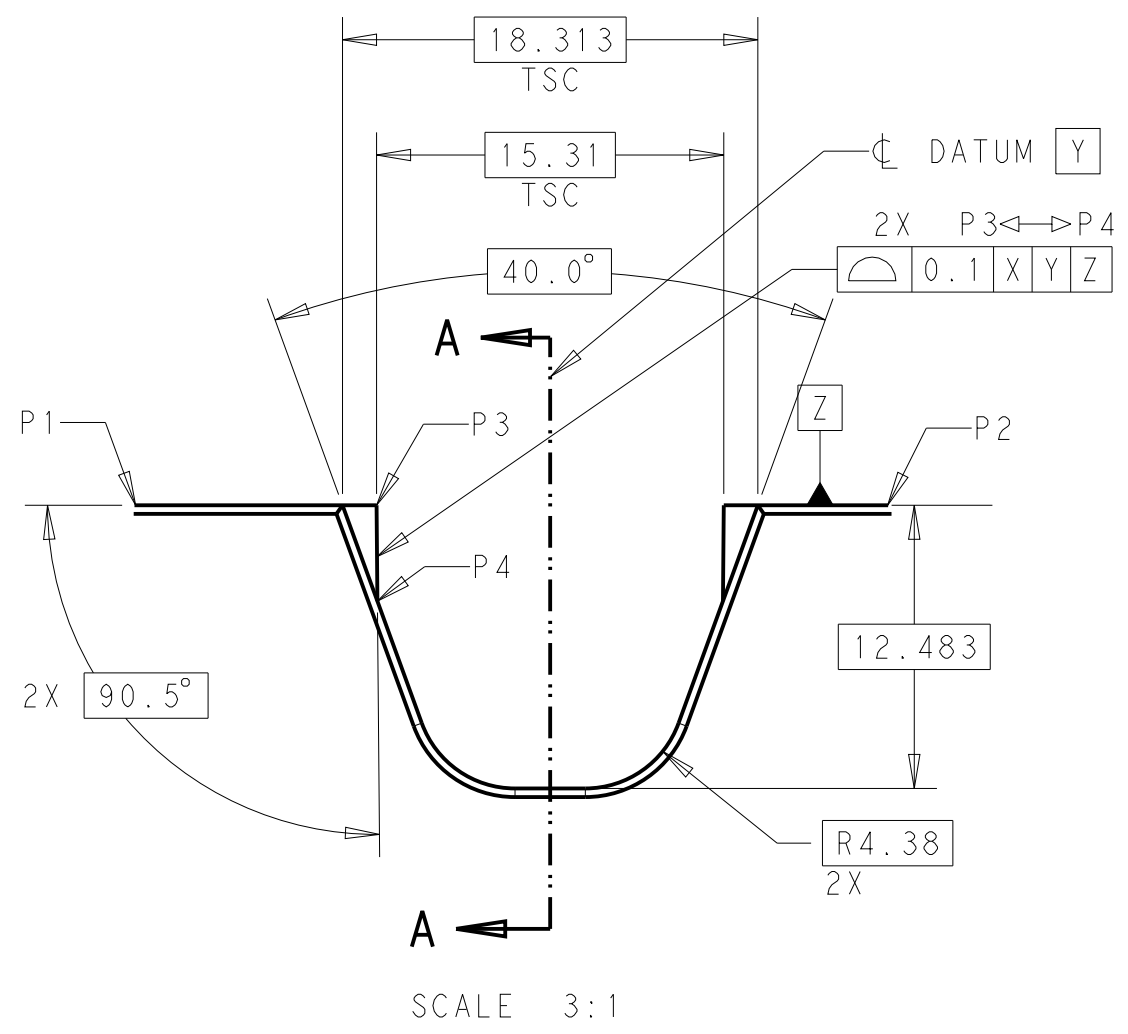
REV A

1470-19 (3/13)

THIS DRAWING IS UNPUBLISHED. RELEASED FOR PUBLICATION 20  
 © COPYRIGHT 20 BY - ALL RIGHTS RESERVED.

REVISIONS					
P	LTR	DESCRIPTION	DATE	DWN	APVD
-	-	SEE SHEET 1	-	-	-

RECOMENDED ENCLOSURE GEOMETRY:



THIS DRAWING IS A CONTROLLED DOCUMENT.		DWN CHETHAN.M 24SEP2018	TE Connectivity	
DIMENSIONS: mm		CHK D.F. STACK 17DEC2020		
TOLERANCES UNLESS OTHERWISE SPECIFIED:		APVD J. BARTH 18DEC2020	NAME enetSEAL+	
0 PLC ±-		PRODUCT SPEC 108-151045	2POS, TAB1.2X0.6, HDR ASSY, 90DEG, SLDR	
1 PLC ±-		APPLICATION SPEC 114-151045	SIZE A3	RESTRICTED TO
2 PLC ±.25		WEIGHT 3.57 g	CAGE CODE -	DRAWING NO C-2339032
3 PLC ±-		CUSTOMER DRAWING	SCALE 4:1	SHEET 3 OF 4
4 PLC ±-			REV A	
ANGLES ±2°				
FINISH SEE NOTE 1				

4

3

2

1

THIS DRAWING IS UNPUBLISHED.

RELEASED FOR PUBLICATION

20

© COPYRIGHT 20

BY -

ALL RIGHTS RESERVED.

REVISIONS

P	LTR	DESCRIPTION	DATE	DWN	APVD
-		SEE SHEET 1	-	-	-

PCB LAYOUT  
SCALE 2:1

Dimensions and Tolerances:

- 6.00 (width)
- 6.00 (width)
- 1.27 (width)
- 1.27 (width)
- 1.10 (width)
- 2.00 (width)
- 4.60 (width)
- 2X  $\varnothing 3.30 \pm 0.05$  (outer diameter)
- 2X  $\varnothing 1.10 \pm 0.05$  (inner diameter)
- $\varnothing 2.20 \pm 0.05$  (hole diameter)
- $\varnothing 0.1 \text{ (M)}$  (hole diameter)
- $\varnothing 0.2 \text{ (M)}$  (hole diameter)

Geometric Tolerances:

- $\varnothing 0.1 \text{ (M)}$  B C
- $\varnothing 0.2 \text{ (M)}$  B C
- $\varnothing 0.1 \text{ (M)}$  B C

THIS DRAWING IS A CONTROLLED DOCUMENT.

DWN 24SEP2018

CHETHAN.M

CHK 17DEC2020

D.F. STACK

APVD 18DEC2020

J. BARTH

PRODUCT SPEC

108-151045

APPLICATION SPEC

114-151045

WEIGHT

3.57 g

CUSTOMER DRAWING

TE Connectivity

NAME

enetSEAL+  
2POS, TAB1.2X0.6, HDR ASSY, 90DEG, SLDR

SIZE

A3

CAGE CODE

-

DRAWING NO

C-2339032

RESTRICTED TO

-

DIMENSIONS:

mm

TOLERANCES UNLESS OTHERWISE SPECIFIED:

0 PLC	±-
1 PLC	±-
2 PLC	±.25
3 PLC	±-
4 PLC	±-
ANGLES	±2°

MATERIAL

SEE NOTE 1

FINISH

-

SCALE 4:1

SHEET 4 OF 4

REV A

1470-19 (3/13)