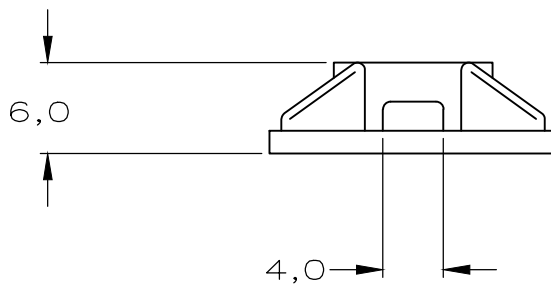
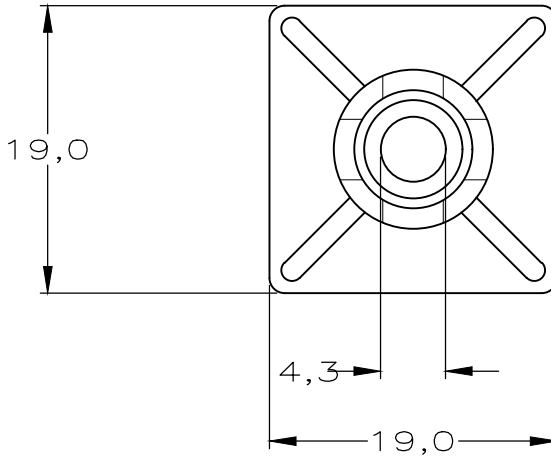


REVISIONS

P	LTR	DESCRIPTION	DATE	DWN	APVD
	0	H-9856	09-06-92	JvdH	RV
	A	OBSOLETE PN 2-100693-1	14MAR2018	SH	NG

NOTES:

- 1 MAX. CABLE TIE WIDTH 3,6.
- 2 TENSILE STRENGTH 415 kPa
- 3 APPL. TEMP. RANGE +10 - +38° C.
- 4 OBSOLETE



RELEASED FOR PUBLICATION

ALL RIGHTS RESERVED.

THIS DRAWING IS UNPUBLISHED.

COPYRIGHT - TE Connectivity Ltd.

BLACK	POLYAMIDE 6/6	2-100693-2	100
NATURAL	POLYAMIDE 6/6	2-100693-1 4	100
FINISH	MATERIAL	PART NUMBER	QTY

DIMENSIONS: mm	DWN J.V.D.HEIJDEN.	09-06-92	MATERIAL -	FINISH -
	CHK R.VOS.	-	TE TE Connectivity	
TOLERANCES UNLESS OTHERWISE SPECIFIED:	APVD L.V.SOEST.	-		
0 PLC ± -	PRODUCT SPEC	-	MOUNTING BASE.	
1 PLC ± -	-	-		
2 PLC ± -	APPLICATION SPEC	-	NAME	-
3 PLC ± -	-	-	SIZE	A4
4 PLC ± -	-	-	CAGE CODE	00779
ANGLES ± -	WEIGHT	-	DRAWING NO	C-100693
	CUSTOMER DRAWING		RESTRICTED TO	-
			SCALE	-
			SHEET	1 OF 1
			REV	A