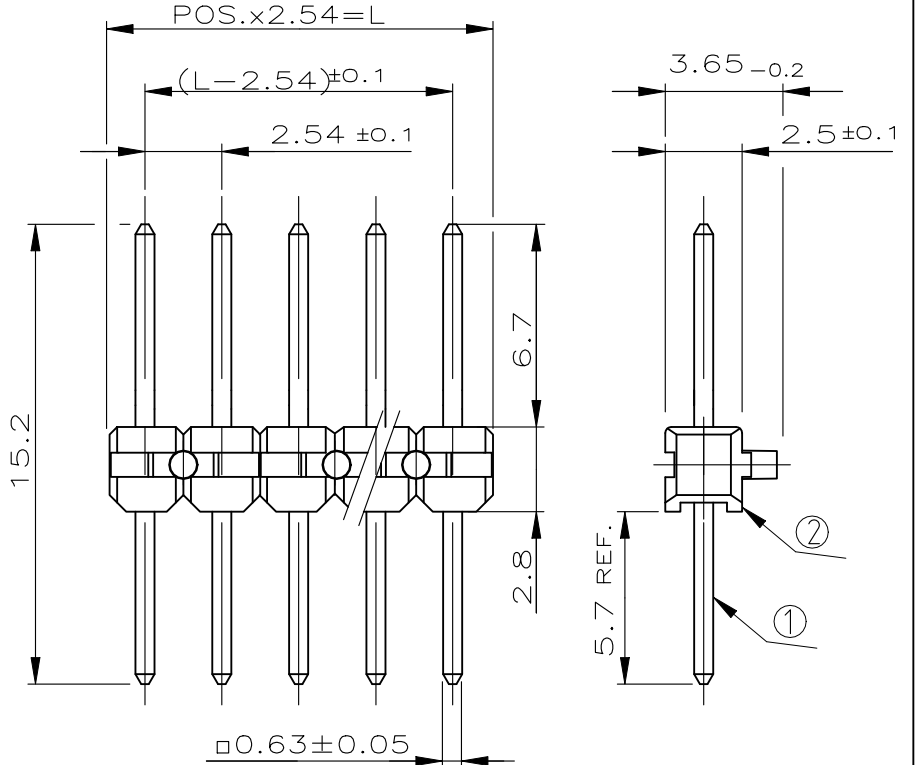


REVISIONS					
P	LTR	DESCRIPTION	DATE	DWN	APVD
	F	RESIN SUPPLIER CHANGE FOR THE HOUSING	17MAY2022	SCB	PS

POS.	L±0.5	PART NUMBER
-	-	-
2	5.08	827312 -2
3	7.62	3
4	10.16	4
5	12.70	5
6	15.24	6
7	17.78	7
8	20.32	8
9	22.86	9
10	25.40	1- -0
11	27.94	1- -1
12	30.48	1- -2
13	33.02	1- -3
14	35.56	1- -4
15	38.10	1- -5
16	40.64	1- -6
17	43.18	1- -7
18	45.72	1- -8
19	48.26	1- -9
20	50.80	2- -0
21	53.34	2- 1
22	55.88	2- 2
23	58.42	2- 3
24	60.96	2- 4
25	63.50	2- 5
26	66.04	2- 6
27	68.58	2- 7
28	71.12	2- 8
29	73.66	2- 9
30	76.20	3- 0
31	78.74	3- 1
32	81.28	3- 2
33	83.82	3- 3
34	86.36	3- 4
35	88.90	3- 5
36	91.44	3- 6
37	93.98	3- 7
38	96.52	3- 8
39	99.06	3- 9
40	101.60	4- 0
41	104.14	4- 1
42	106.68	4- 2
43	109.22	4- 3
44	111.76	4- 4
45	114.30	4- 5
46	116.84	4- 6
47	119.38	4- 7
48	121.92	4- 8
49	124.46	4- 9
50	127.00	5- 827312 -0



NOTES:

- 1 MIN. 3µm TIN OVER 1.27µm NICKEL
- 2 OBSOLETE

PIN HOUSING	PCT	BLACK	2
CONTACT PIN	CuZn	1	1
DESCRIPTION	MATERIAL	COLOR/FINISH	ITEM NUM

TE Connectivity. All Rights Reserved.



DIMENSIONS: mm	DWN	13.02.79	MATERIAL	-	FINISH	-
	CHK	16.02.79	TE Connectivity			
TOLERANCES UNLESS OTHERWISE SPECIFIED: ±0.2mm	APVD	09.04.81				
0 PLC ± -	PRODUCT SPEC	108-18012	NAME			
1 PLC ± -	APPLICATION SPEC	-	AMPMODU II PIN HEADER			
2 PLC ± -	WEIGHT	-	SIZE	CAGE CODE	DRAWING NO	RESTRICTED TO
3 PLC ± -			A4	00779	C-827312	-
4 PLC ± -			CUSTOMER DRAWING		SCALE	4:1
ANGLES ± -			SHEET	1 OF 1	REV	F