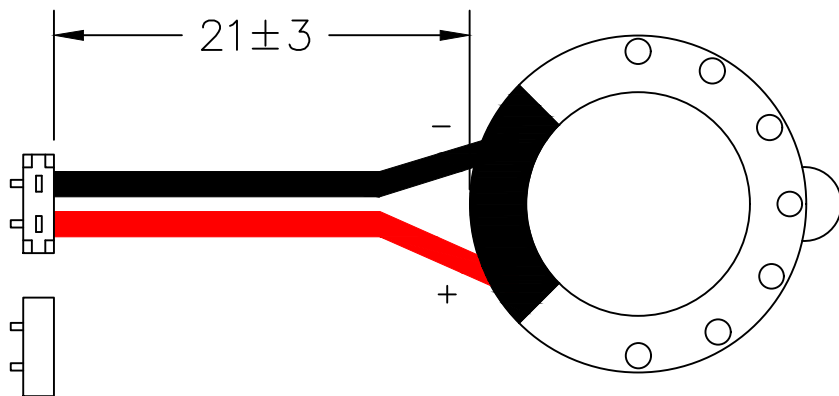


THIS DOCUMENT CONTAINS DATA PROPRIETARY TO PROJECTS UNLIMITED, INC. ANY USE OR REPRODUCTION, IN ANY FORM, WITHOUT PRIOR WRITTEN PERMISSION OF PROJECTS UNLIMITED, INC. IS PROHIBITED.
© 2005, Projects Unlimited Inc.

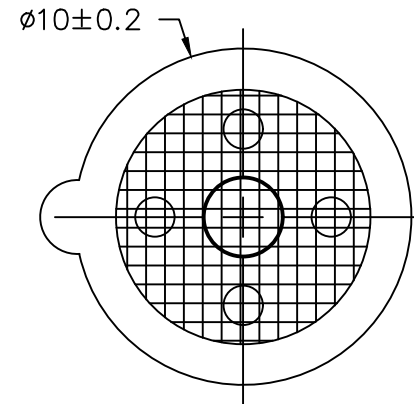
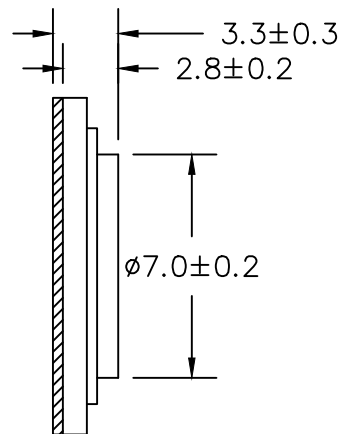
SPECIFICATIONS

PARAMETERS	VALUES	UNITS
RATED INPUT POWER	0.010	W
MAX INPUT POWER	0.020	W
IMPEDANCE	32±15%	OHM
OUTPUT SPL @ 1kHz, .179W (sine wave) using IEC 318 coupler	114±3	dBa
DISTORTION (MAX.)	5%	-
FREQUENCY RANGE	300 ~ 3,400	Hz
HOUSING MATERIAL	ABS	-
CONE MATERIAL	MYLAR	-
MAGNET MATERIAL	NdFeB	-
OPERATING TEMPERATURE	-30 ~ +60	°C
WEIGHT	1.0	grams

REVISIONS			
LTR	DESCRIPTION	DATE	APPROVED
-	RELEASED FROM ENGINEERING	9/17/15	




UL1571 AWG32



NOTES:

- ALL DIMENSIONS ARE IN MILLIMETERS.
- SPECIFICATION SUBJECT TO CHANGE OR WITHDRAWAL WITHOUT NOTICE.
- THIS PART IS RoHS 2011/65/EU COMPLIANT.
- CONNECTOR: KYOCERA 8005 SERIES OR EQUIV.

FILE NAME
AR01032MR-LWC21-2-R.DWG

UNLESS OTHERWISE SPECIFIED: ALL PURCHASES ARE SUBJECT TO THE PUI TERMS AND CONDITIONS SALE FOUND AT http://www.puiaudio.com/pdf/terms_conditions.pdf (paper copy available upon request) DIMENSIONS ARE IN MILLIMETERS, TOLERANCES ARE ±0.5 AND ANGLES ARE ±3°.		 <p>pui audio a projects unlimited company</p>		3541 Stop Eight Road Dayton, Ohio 45414	
APPROVALS	DATE	<h1>RECEIVER</h1> <p>DRAWING NO. AR01032MR-LWC21-2-R</p>			
DRAWN	M.L. 9/15				
CHECKED	M.L. 9/15				
APPROVED	B.R. 9/15	SIZE A	SCALE: N.T.S.		
			SHEET 1 OF 1		