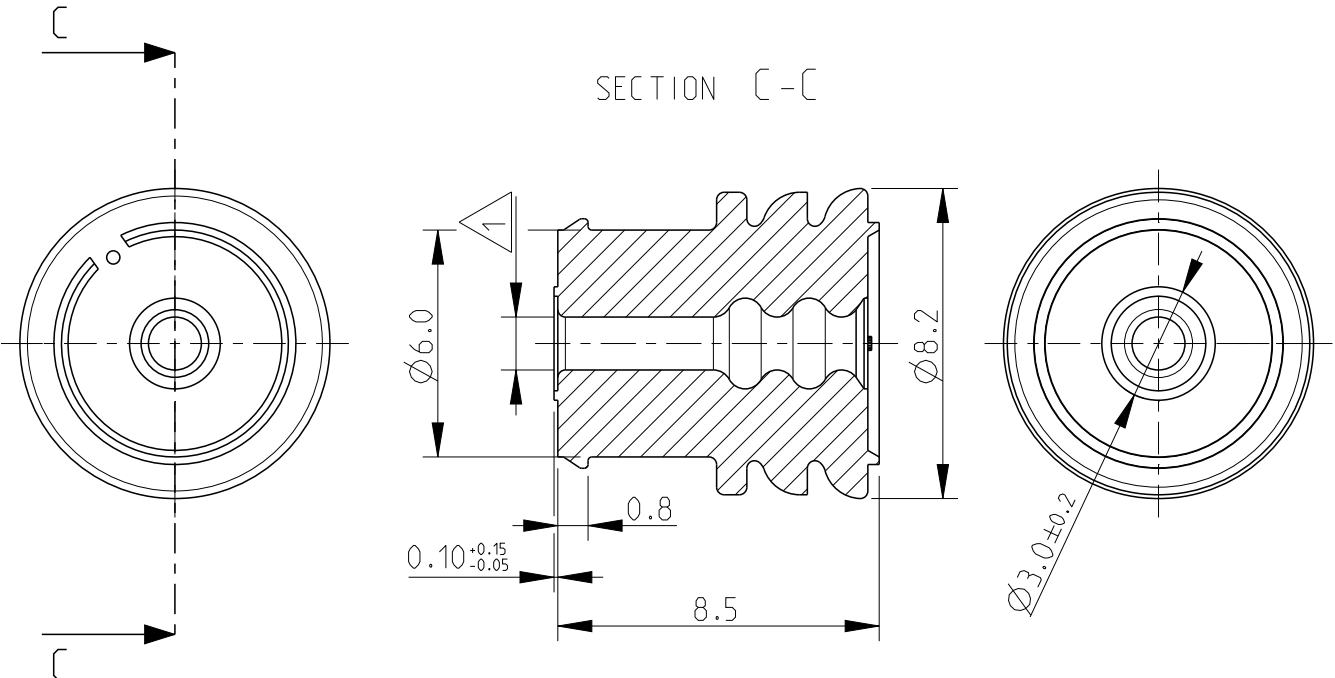
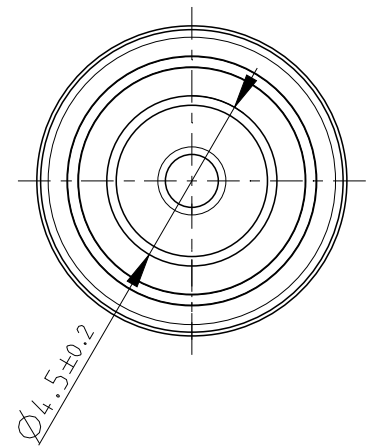
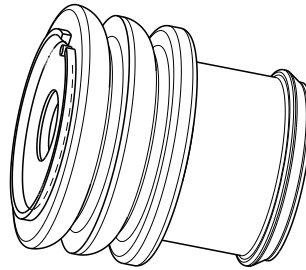
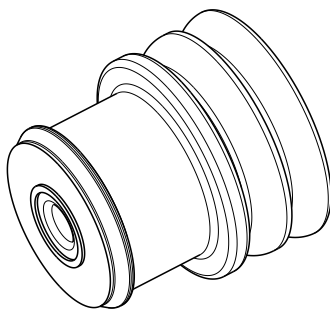


REVISIONS					
P	LTR	DESCRIPTION	DATE	DWN	APVD
	B2	ECO-16-009461	22JUN2016	M.G.	M.G.




ALTERNATIVE DESIGN ADMITTED



1 FOR INSULATION DIA: Ø2.2-3.0mm

WHITE	SILICONE 50° SHORE A INHERENTLY LUBRICATED	963244-1
COLOR	MATERIAL	P/N

20  
 RELEASED FOR PUBLICATION  
 ALL RIGHTS RESERVED.  
 BY -  
 COPYRIGHT 20

DIMENSIONS: mm	DWN R.Schan	23AUG1989	MATERIAL	SEE TABLE	FINISH	-
	CHK M. Adamski	23AUG1989	 TE Connectivity			
TOLERANCES UNLESS OTHERWISE SPECIFIED:	APVD	-				
0 PLC ±	PRODUCT SPEC	-	SIZE	CAGE CODE	DRAWING NO	RESTRICTED TO
1 PLC ± 0.3	APPLICATION SPEC	-	A 4	-	©=963244	-
2 PLC ±	WEIGHT	0.348g	CUSTOMER DRAWING			
3 PLC ±			SCALE	5:1	SHEET	1 OF 1
4 PLC ±					REV	B2
ANGLES ±°						