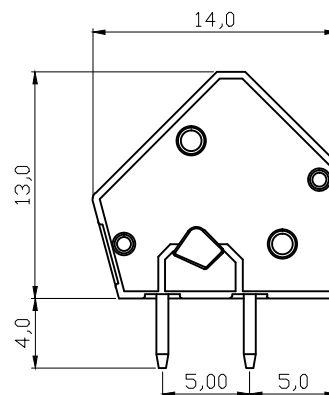
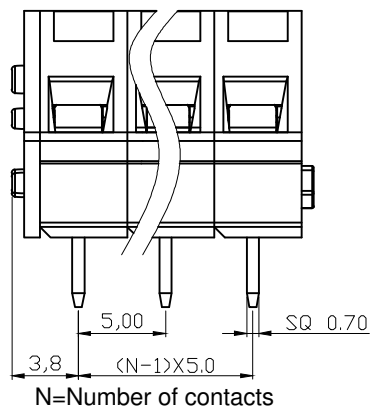


Recommended PCB Layout



MATERIAL

1. Insulator (housing): Thermoplastic (UL 94V-0) Grey(7004)
2. Spring Clamp : Stainless steel
3. Surface of solder tail: Tin plated
4. Terminal body(Contact pin): Brass

ELECTRICAL

1. Current Rating : 15A
2. Voltage Rating : 300V AC
3. Solid wire(AWG): 12-28
4. Stranded wire(AWG): 12-28
5. Wire strip length: 6-7 mm
6. Withstand Voltage : 1.6KV

ENVIRONMENTAL

1. Soldering Temperature: 250°C ±10°C/5 Sec
2. Operating Temperature: -40°C to +115°C
3. Safety approval:

RoHS compliant

Unit: mm



File No.: E349947

Scale	1:1					Date	Name	Customer-No.
TOLERANCE						Drawn	15.12.2008	Dean
X.	±0.50					Approved	18.04.2016	Joanna
X.X	±0.30							
X.XX	±0.10	③	Add UL	18.04.2016	Joanna			
DIM	TOL	②	Updated	19.10.2010	Rale			
X.°	±1°	①	Drawn	15.12.2008	Dean			
X.X°	±X°							
Angle	TOL	Id.	Modification	Date	Name			



ASSMANN WSW-No. A-TB500-HGxx	
Drawing-No. ASS 3215 CO	rev03
Replace	Sheet