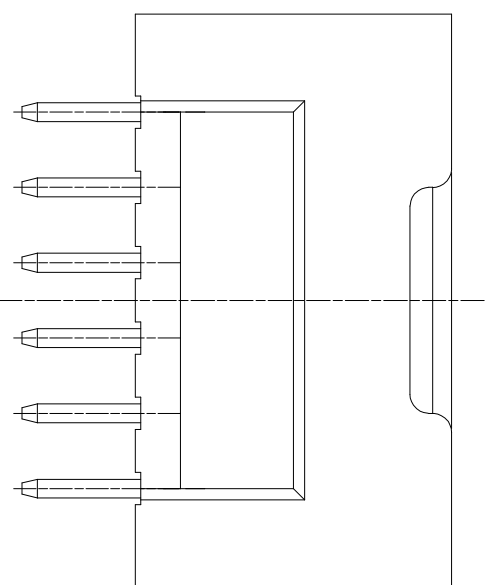
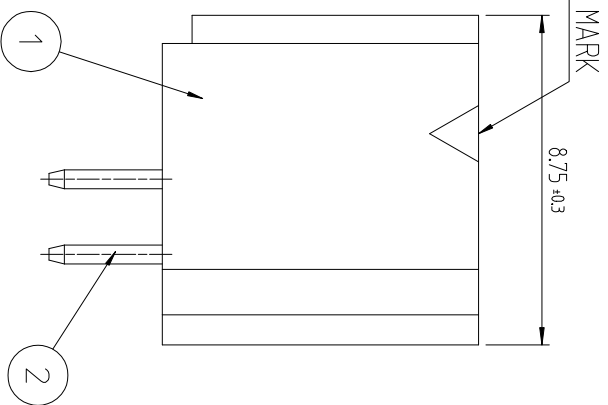
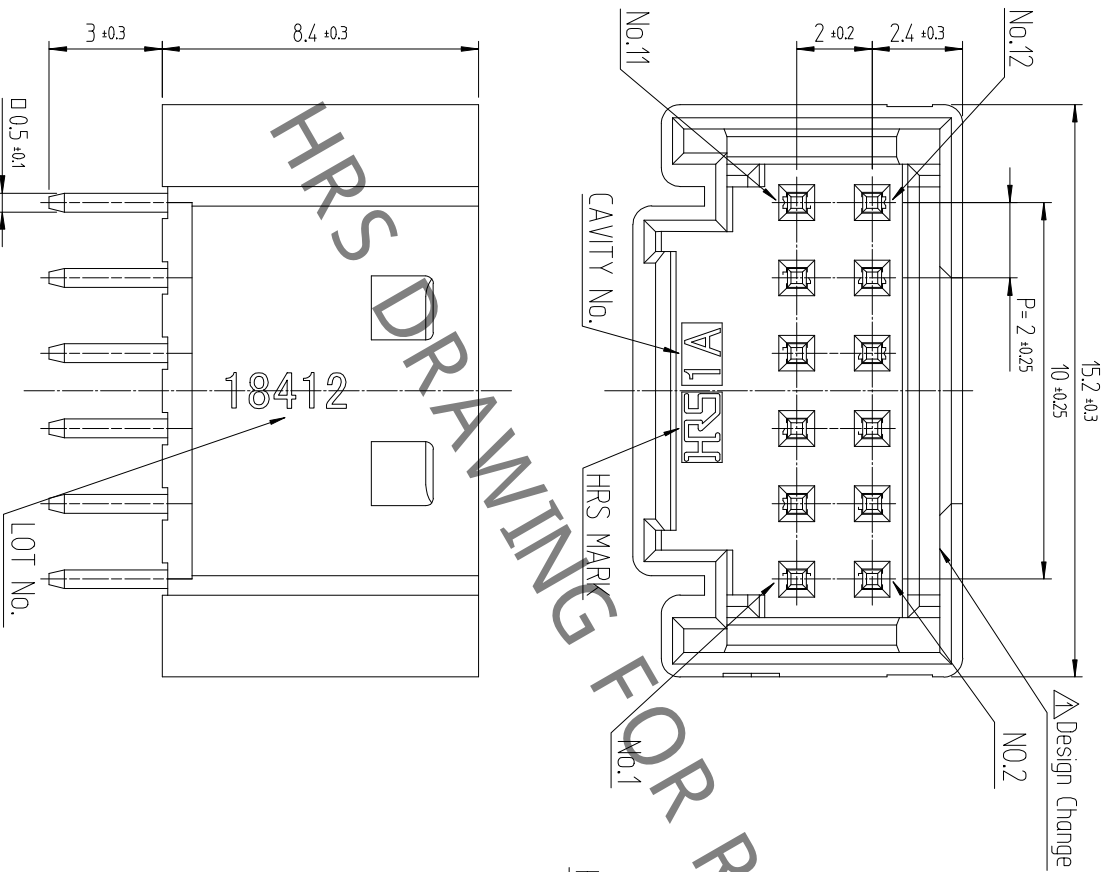
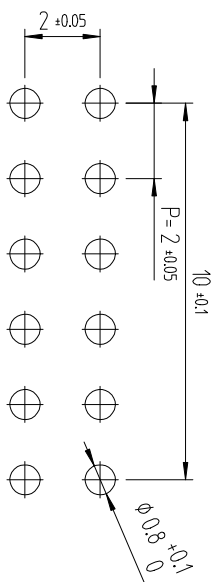


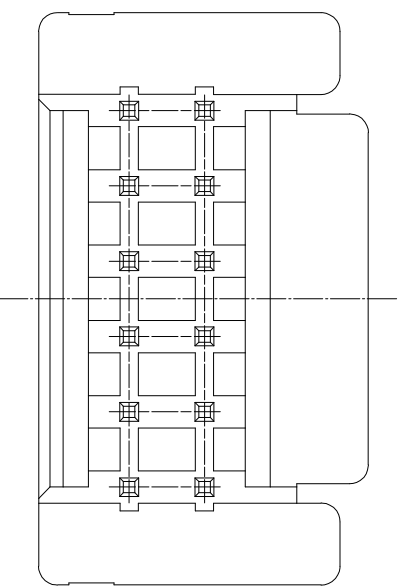
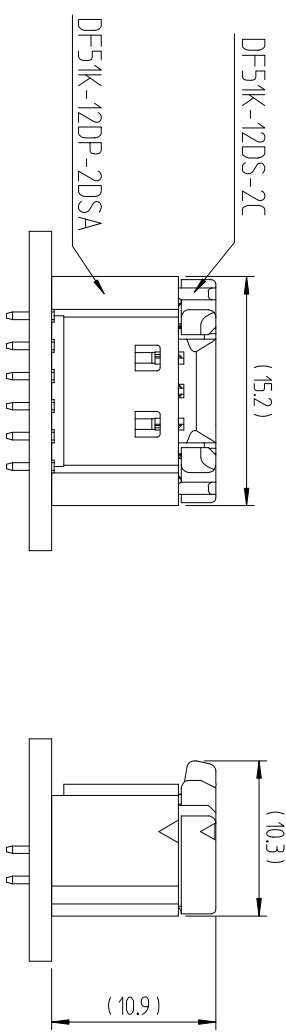
△數	訂正事項	檢圖	年月日	△數	訂正事項	檢圖	年月日
COUNT	DESCRIPTION OF REVISIONS	CHKD	DATE	COUNT	DESCRIPTION OF REVISIONS	CHKD	DATE
1	RE-6-1150	K.I.Y	18. 07. 04				
2	RE-6-1579	K.I.Y	20. 01. 23				

RECOMMENDED LAND PATTERN (FREE)

(PCB THICKNESS t=1.6mm)



ENGAGEMENT FIGURE (2:1)



NOTE 1. 1PACK CONTAINS 100PCS.

2. () DIMENSIONS ARE ONLY REFERENCE.

△ 3. UL(File No. E132750) AUTHORIZATION ARTICLE.

C-UL(File No. E132750) AUTHORIZATION ARTICLE.



1	△ PA66	UL94V-0, BLACK	2	BRASS	GOLD PLATING 0.1µm MIN, OVER NICKEL 0.5µm MIN
NO.	MATERIAL	FINISH/REMARKS	NO.	MATERIAL	FINISH/REMARKS
CODE NO. (OLD)		DRAWN	DESIGNED		APPROVED
		CHOI 17.12.22 J.S	CHOI 17.12.22 J.S		KANG 17.12.22 T.S
SCALE		PART NO.		RELEASED	
5:1		EDC3-632461		ENG 20.02.12 DEPT	
UNITS		CODE NO.			
mm		CL 6652-0010-2-805			

1 2 3 4 5 6 7 8