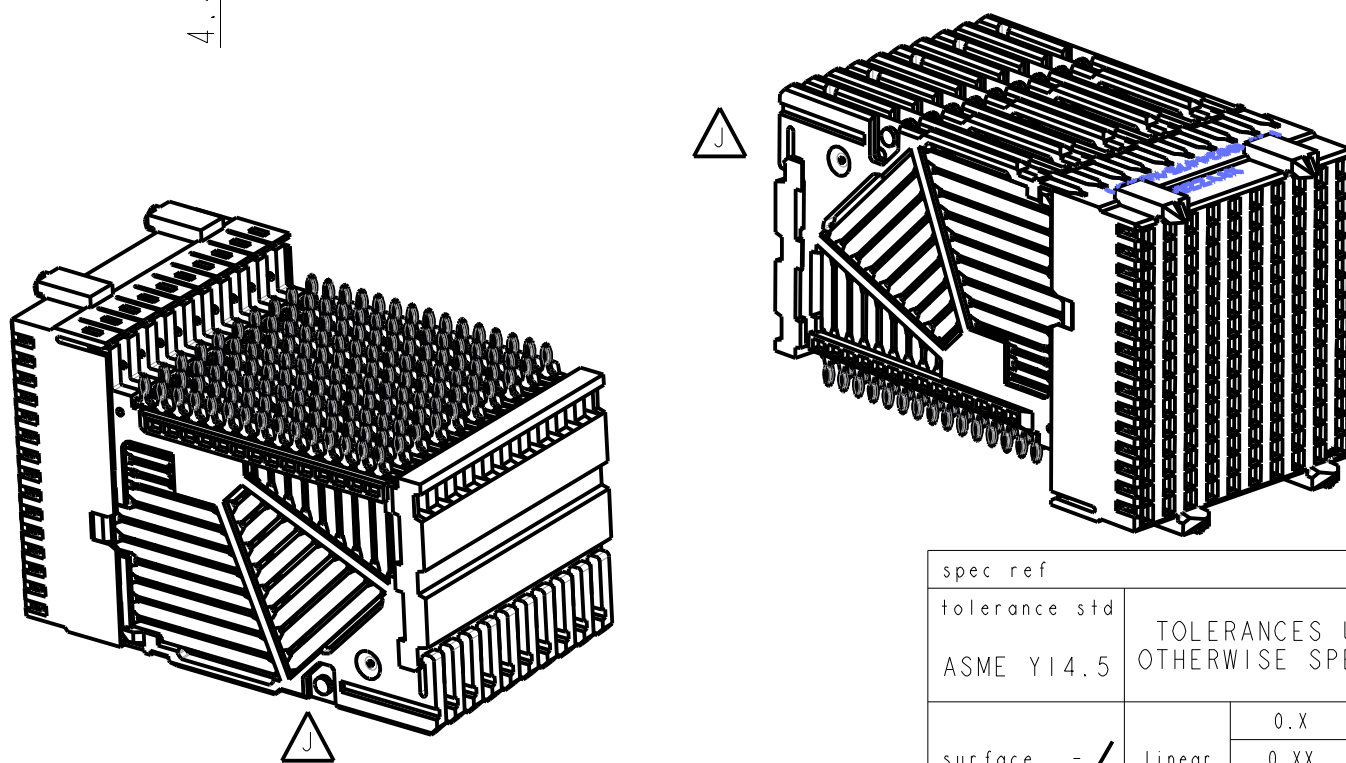
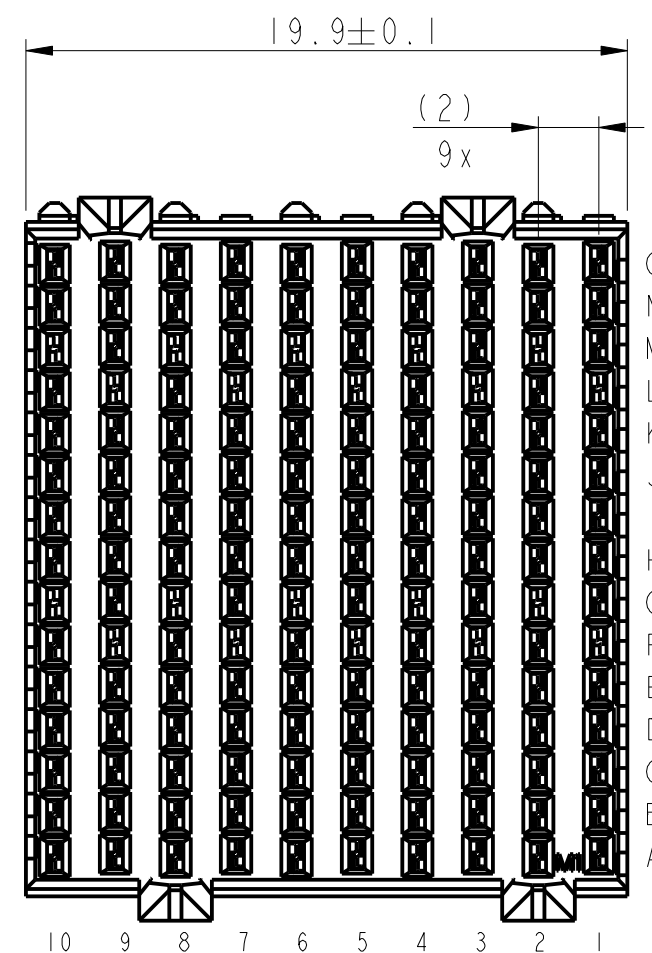
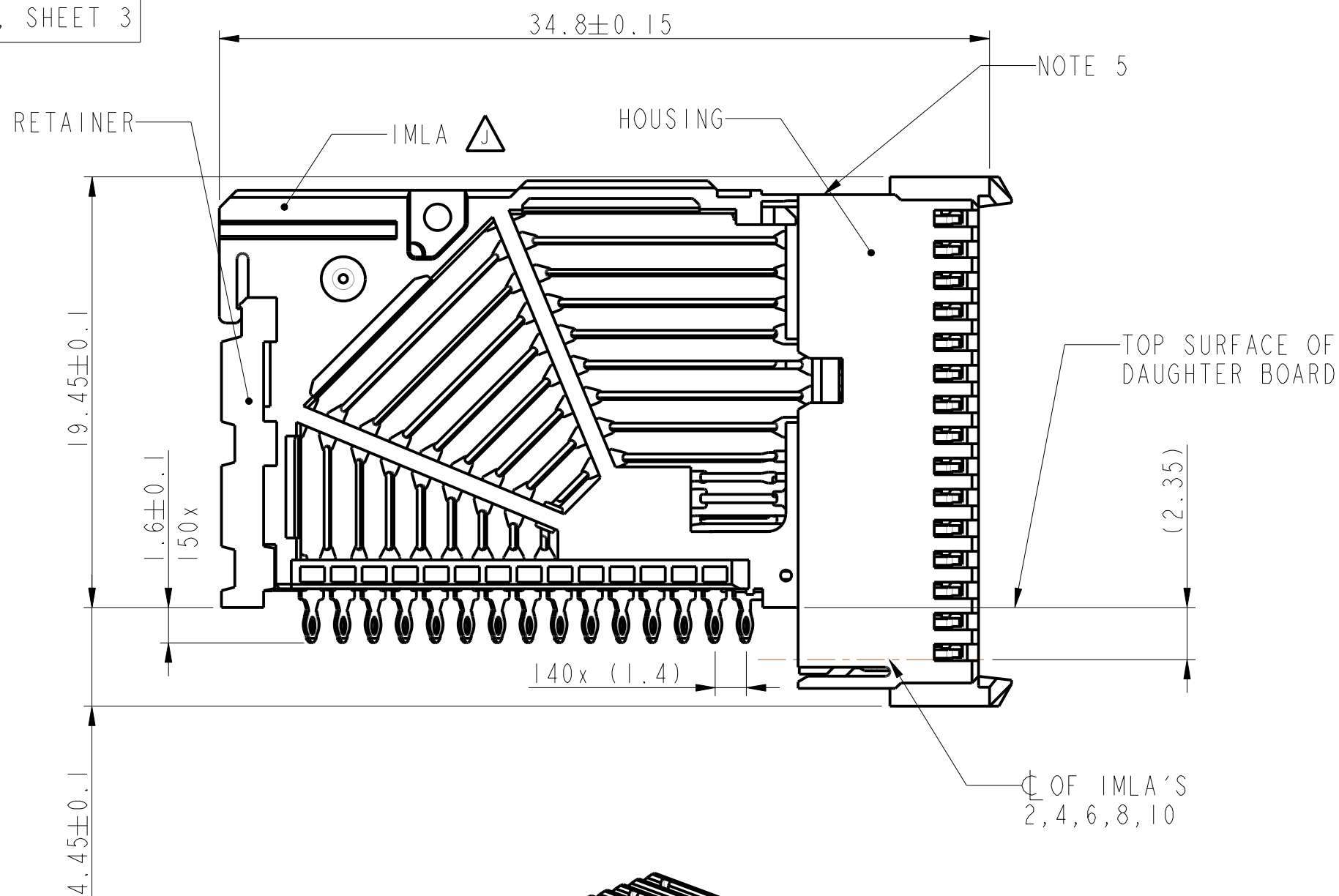


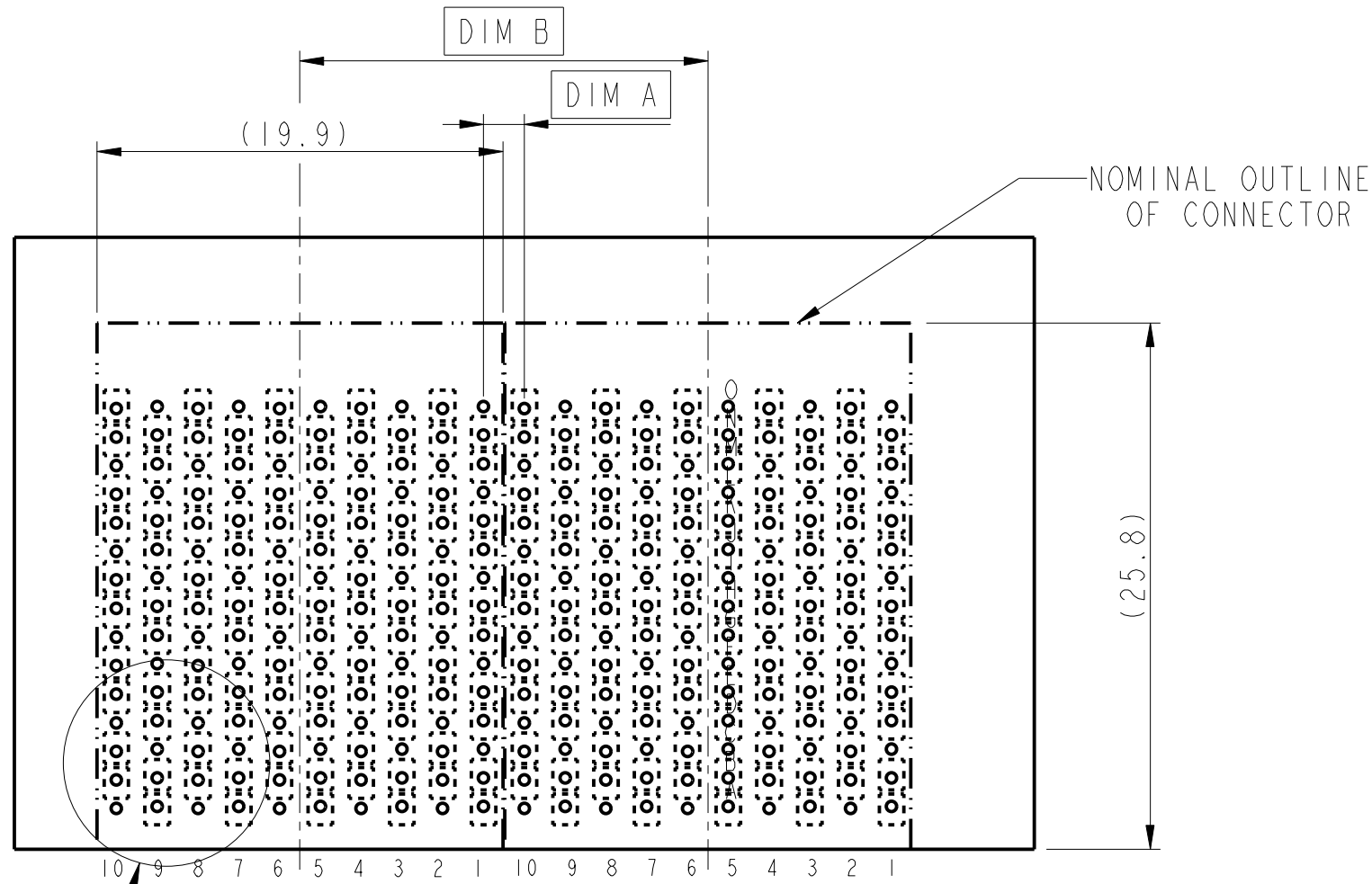
Product-number
SEE TABLE, SHEET 3



spec ref	dr	wcadmin	2008/02/14	projection	mm	size	A3	scale	4:1				
tolerance std	eng	Lin-Soe Ngwe	2014/01/03			ecn no		ELX-S-16634-1					
ASME Y14.5	chr	-	product family			-	rel level		Released				
surface	<input checked="" type="checkbox"/> linear <input type="checkbox"/> angular	0.X	±0.3		AirMax VS R.A. Recpt assy PRESS-FIT, 150 POS, 20 MM	dwg no 10034475	rev J	ASME Y14.5					
		0.XX	±0.10					www.fci.com		cat. no.	-	Product - Customer Drw	sheet 1 of 3
		0.XXX	±0.050					PDS: Rev :J		STATUS:Released		Printed: Jan 10, 2014	
ASME Y14.5	angular	0°	±°										

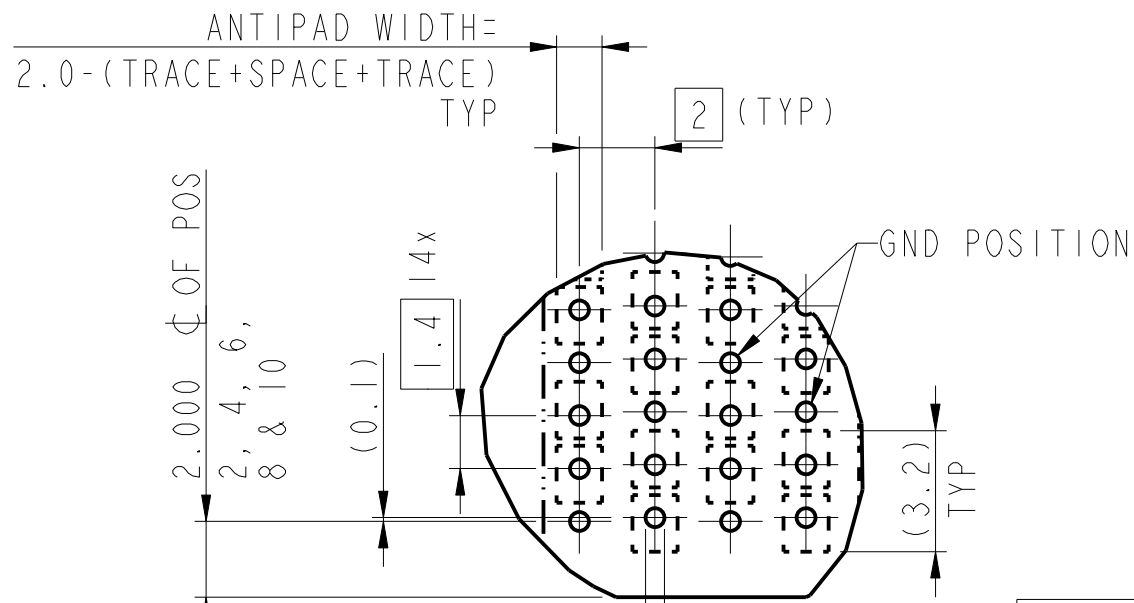


Copyright FCI.



SEE DETAIL A

RECOMMENDED PCB LAYOUT
FOR DIFFERENTIAL APPLICATIONS
COMPONENT SIDE
(TWO ADJACENT FOOTPRINTS SHOWN)



DETAIL SCALE A
SCALE 5:1

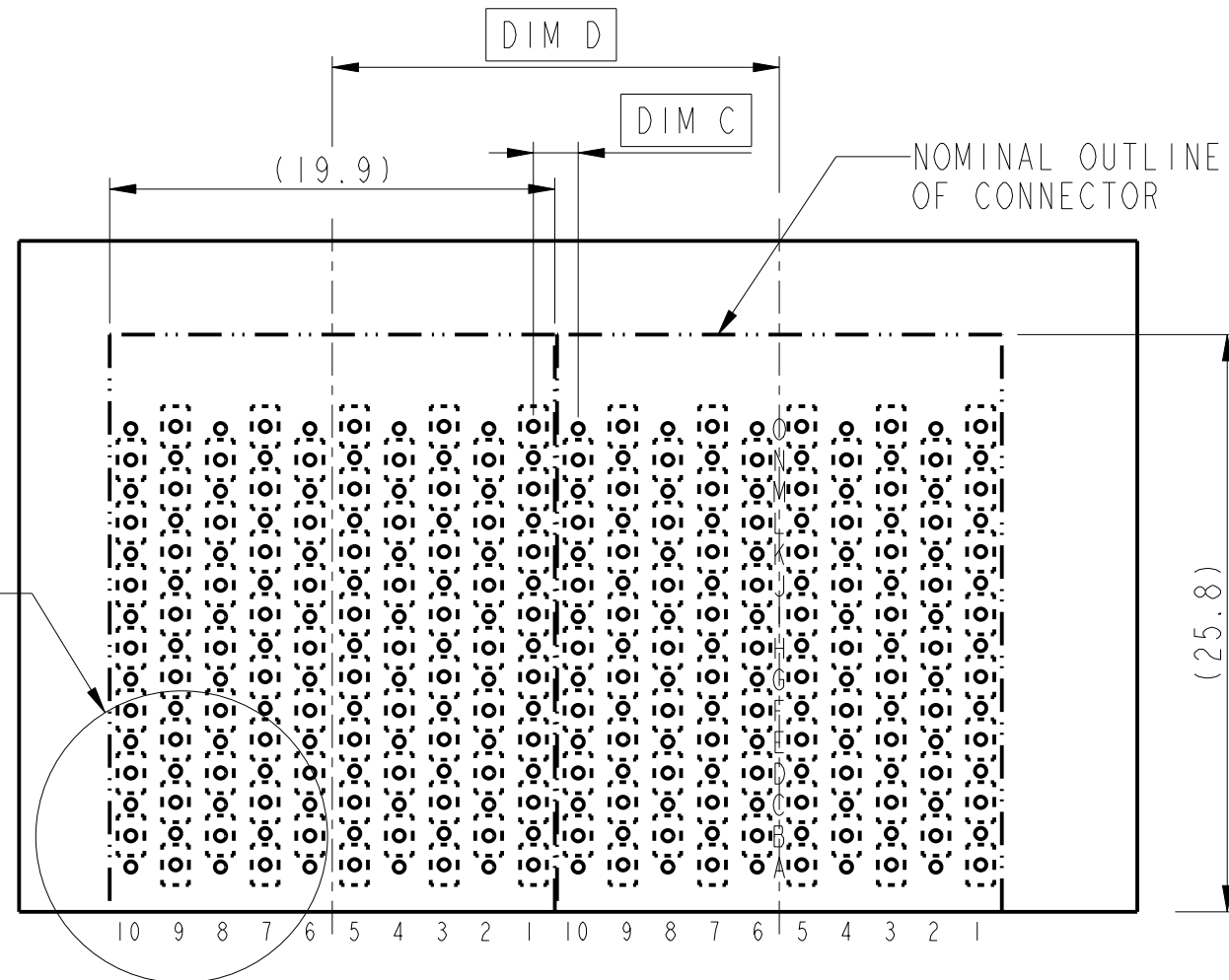
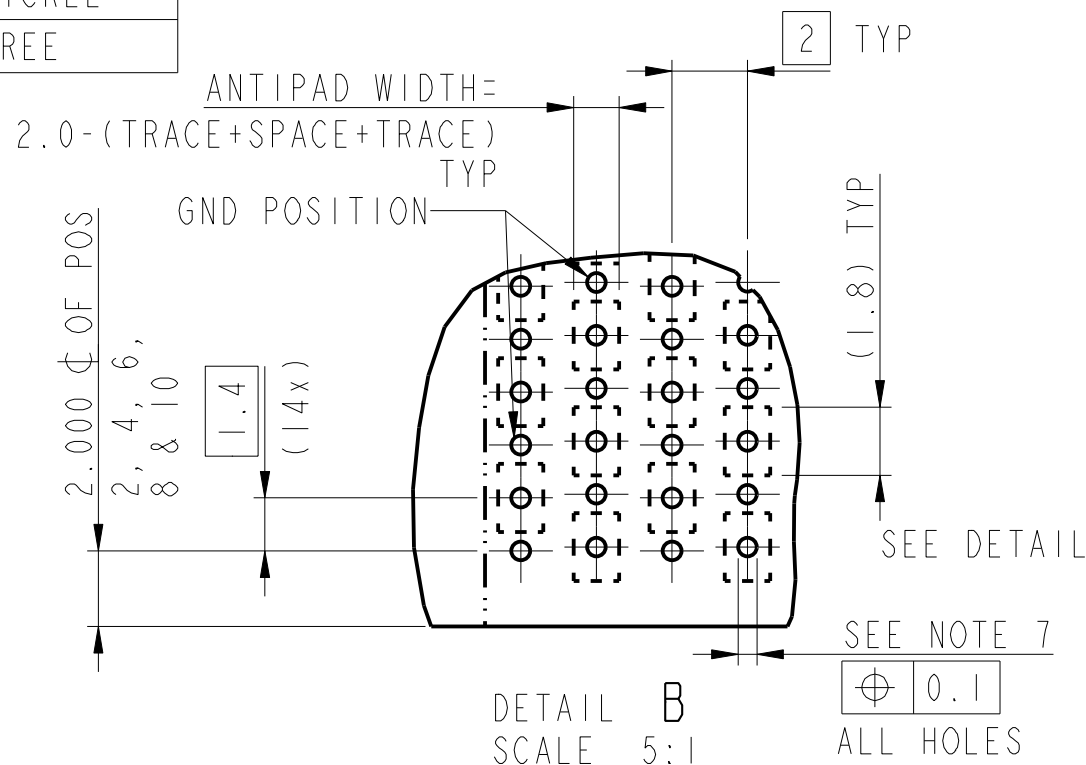
SEE NOTE 7

⊕ 0.1
ALL HOLES

ADJACENT HEADER WIDTH	DIM A	DIM B
20MM/20MM	2MM	20MM
20MM/22MM	3MM	21MM
22MM/22MM	4MM	22MM

spec ref	dr	wcadmin	2008/02/14	projection	mm	size	A3	scale	3:1
tolerance std	eng	Lin-Soe Ngwe	2014/01/03			ecn no	ELX-S-16634-1	rel level	Released
ASME Y14.5	chr	-	-						
surface	linear	0.X	±0.3		AirMax VS R.A. Recpt assy PRESS-FIT, 150 POS, 20 MM	dwg no	10034475	rev	J
		0.XX	±0.10						
ASME Y14.5	angular	0°	±°	www.fci.com	cat. no.	Product - Customer Drw	sheet 2 of 3		

PART NUMBER	PRESS FIT TAIL PLATING TYPE
10034475-101	TIN/LEAD ALLOY OVER NICKEL
10034475-101LF	LEAD FREE



RECOMMENDED PCB LAYOUT
FOR SINGLE ENDED APPLICATIONS
COMPONENT SIDE
(TWO ADJACENT FOOTPRINTS SHOWN)

NOTES:

- CONNECTOR MATERIALS:
HOUSING & RETAINER: HIGH TEMP THERMOPLASTIC, NATURAL, UL94V-0
IMLA PLASTIC: HIGH TEMP PLASTIC, BLACK, UL94V-0
CONTACT: COPPER ALLOY.
- CONTACT PLATING:
SEPARABLE INTERFACE: PERFORMANCE BASED PLATING, QUALIFIED TO MEET THE REQUIREMENTS OF FCI PRODUCT SPECIFICATION GS-12-239, INCLUDING TELCORDIA GR-1217-CORE (NOV 1995) CENTRAL OFFICE TEST SEQUENCE.
PRESS-FIT TAILS: SEE TABLE
- PRODUCT SPECIFICATION: GS-12-239
- APPLICATION SPECIFICATION: GS-20-035
- PRODUCT MARKING, (PARTNUMBER & LOT CODE), ON THIS SURFACE
- THERE IS NO GROUND BUSSING WITHIN THE CONNECTOR SYSTEM.
- SEE CUSTOMER DRAWING 10045979 FOR INFORMATION ON PCB HOLE DIAMETER AND PLATING OPTIONS
- THIS PRODUCT MEETS EUROPEAN UNION DIRECTIVES AND OTHER COUNTRY REGULATIONS AS DESCRIBED IN GS-22-008.
- THE HOUSING WILL WITHSTAND EXPOSURE TO 260 °C PEAK TEMPERATURE FOR 40 SECONDS IN A CONVECTION, INFRA-RED OR VAPOR PHASE REFLOW OVEN.
- PACKAGE MEETS GS-14-920 LEAD FREE LABELLING SPEC.
- A Δ SYMBOL WILL BE NEXT TO ANY DIMENSION, VIEW, OR NOTE WHICH HAS BEEN MODIFIED WITH THE CURRENT DRAWING REVISION.

ADJACENT HEADER WIDTH	DIM C	DIM D
20MM/20MM	2MM	20MM
20MM/22MM	3MM	21MM
22MM/22MM	4MM	22MM

spec ref	dr	wcadmin	2008/02/14	projection	mm	size	A3	scale	3:1
tolerance std	eng	Lin-Soe Ngwe	2014/01/03			ecn no	ELX-S-16634-1	rel level	Released
ASME Y14.5	chr	-	-						
surface	linear	0.X	±0.3		AirMax VS R.A. Recpt assy	dwg no	10034475	rev	J
		0.XX	±0.10						
		0.XXX	±0.050						
ASME Y14.5	angular	0°	±°	www.fci.com	cat. no.	Product - Customer Drw	sheet 3 of 3		

Copyright FCI.