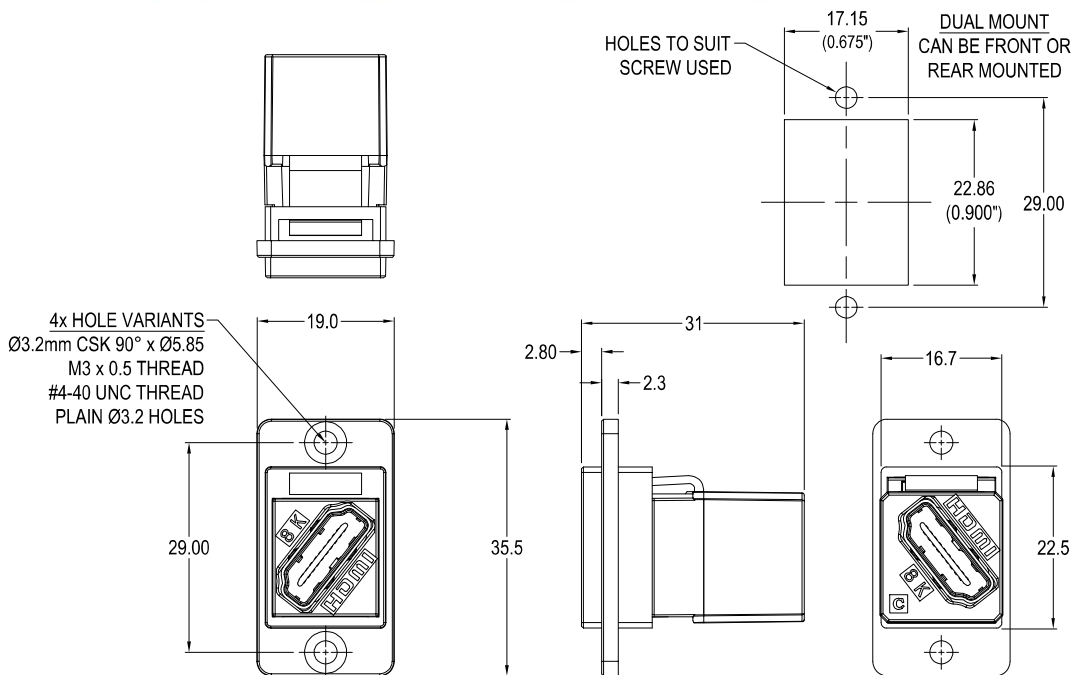


CLIFF

DUALSLIM 8K HDMI FEMALE - FEMALE METAL FRAME FEEDTHROUGH CONNECTOR

Can be front or rear mounted in the panel



VARIANTS

Part No.

CP30788M

DUALSLIM 8K HDMI F-F Nickel frame, CSK holes

CP30788MB

DUALSLIM 8K HDMI F-F Black metal frame, CSK holes

CP30788M3

DUALSLIM 8K HDMI F-F Nickel frame, M3 holes

CP30788MB3

DUALSLIM 8K HDMI F-F Black metal frame, M3 holes

CP30788M440

DUALSLIM 8K HDMI F-F Nickel frame, #4-40 holes

CP30788MB440

DUALSLIM 8K HDMI F-F Black metal frame, #4-40 holes

CP30788MX1

DUALSLIM 8K HDMI F-F Nickel frame, Ø3.2 PLAIN holes

CP30788MBX1

DUALSLIM 8K HDMI F-F Blk metal frame, Ø3.2 PLAIN holes

Feedthrough Features

- Fits standard rectangular cutout.
- Front or rear mounting through the panel.
- Various hole mounting options.
- No soldering or punch termination. Use standard cable for each connector style.
- Low rear profile.

General:

Please note: Functionality is affected by cable quality, length and cable wiring configuration.

8K equipment and cables required to achieve 8K resolutions.

Material:

1. Insert: ABS UL94 HB
2. SLIM Frame: Zinc Diecast, Ni or Black plated
3. Shell: Gold plated
4. Contacts: Gold Plated

Specification:

1. Shielded HDMI 2.1 F-F
2. Voltage Rating: 40V ac
3. Current Rating: 0.5A max
4. Contact Resistance: 10mΩ max
5. Insulation Resistance: 100MΩ min
6. Dielectric Withstanding Voltage: 500V AC
7. Operating Temperature: -25°C to 85°C

HDMI Specification

1. Version: Shielded HDMI 2.1
2. Supported Video resolution: 7680 x 4320 60Hz
3. HDR Support : Yes
4. HDCP Specification: 1.4; 2.2
5. Chroma Sub Sampling: 4:4:4

Cliff Electronic Components Limited,

76 Holmethorpe Avenue, Holmethorpe Ind. Estate,
Redhill, Surrey RH1 2PF U.K.

Tel: +44 (0)1737 771375 Fax: +44 (0)1737 766012

