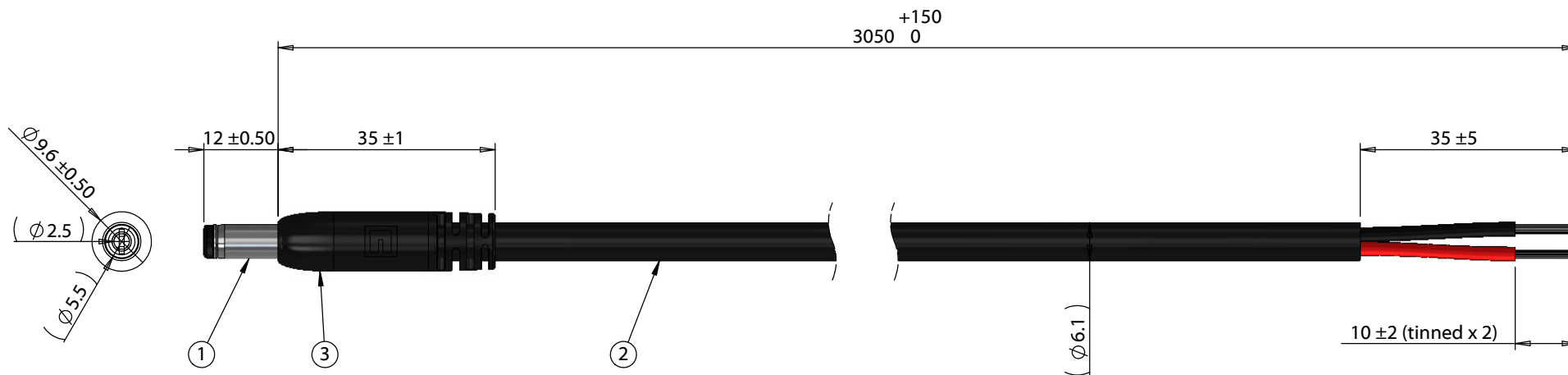


ITEM NO.	PART NUMBER	DESCRIPTION	QTY.	COMPONENT NOTES
1	50-00026	Connector, dc plug, 5.5x2.5xL23 mm, molding style, spring contacts	1	
2	30-00680	Wire, 2C TS, 16 AWG, UL2464, 300V, 80C, 6.1 mm, VW-1, PVC	1	
3	24-00182	Overmold, dc plug, 5.5 mm, Tensility	1	PVC, black



Wiring Diagram	
50-00026	wire color
center	red
sleeve	black

Notes:
Functionally equivalent components may be substituted

Revision:	Date:	Description:	Prepared: RS <small>Digitally signed by RS Date: 2019.06.06 16:05:04 -07'00'</small>	Notes:	<h1>TENSILITY</h1> <p>tel 1.541.323.3228 800 877.670.7118 fax 1.541.323.4202 web tensility.com</p>
A	06/06/2019	Initial release	Verified: JP <small>Digitally signed by JP Date: 2019.06.07 12:11:21 -07'00'</small>	RoHS compliant	
			Dimensions are in millimeters. Tolerances: X: ± 0.5 mm X.X: ± 0.3 mm X.XX: ± 0.05 mm	Function test: no open, no short circuit, no intermittent	
				Description: Cable, 3050 mm, 5.5x2.5x12 mm 50-00026 dc plug to stripped tinned, 16 AWG, 30-00680 wire	
Size:		Part number:		Scale: 1:1	
A		10-03342		Sheet 1 of 1	

5

4

3

2

1