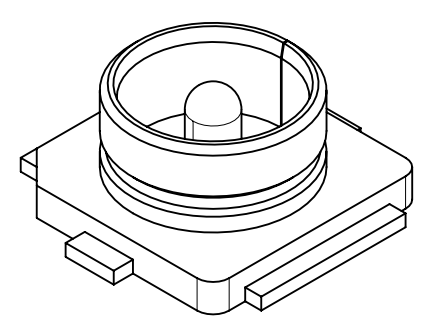


**MATERIAL AND FINISHES:**

BASE: LCP E6808 UHF  
 CONTACT: BRASS  
 C2680 (t=0.15)  
 PLATED: GOLD (0.03 MICROMETER MINIMUM) OVER  
 NICKEL (1-4 MICROMETER)  
 OUTER CONTACT: PHOSPHOR BRONZE  
 C5191 (t=0.15)  
 PLATED: GOLD (0.03 MICROMETER MINIMUM) OVER  
 NICKEL (1-4 MICROMETER)

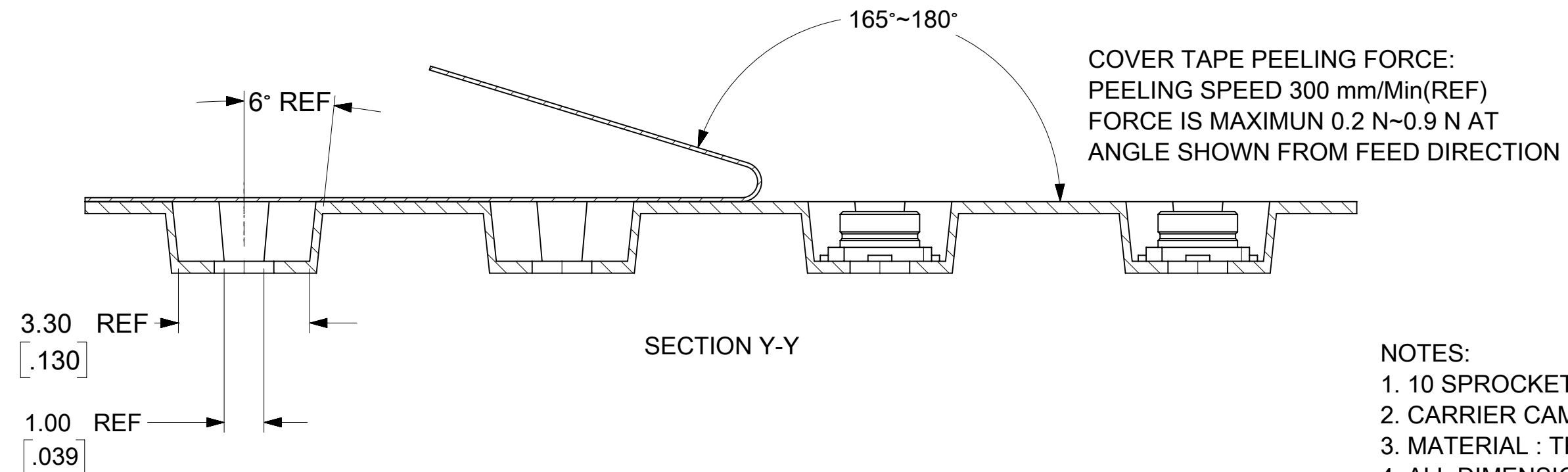
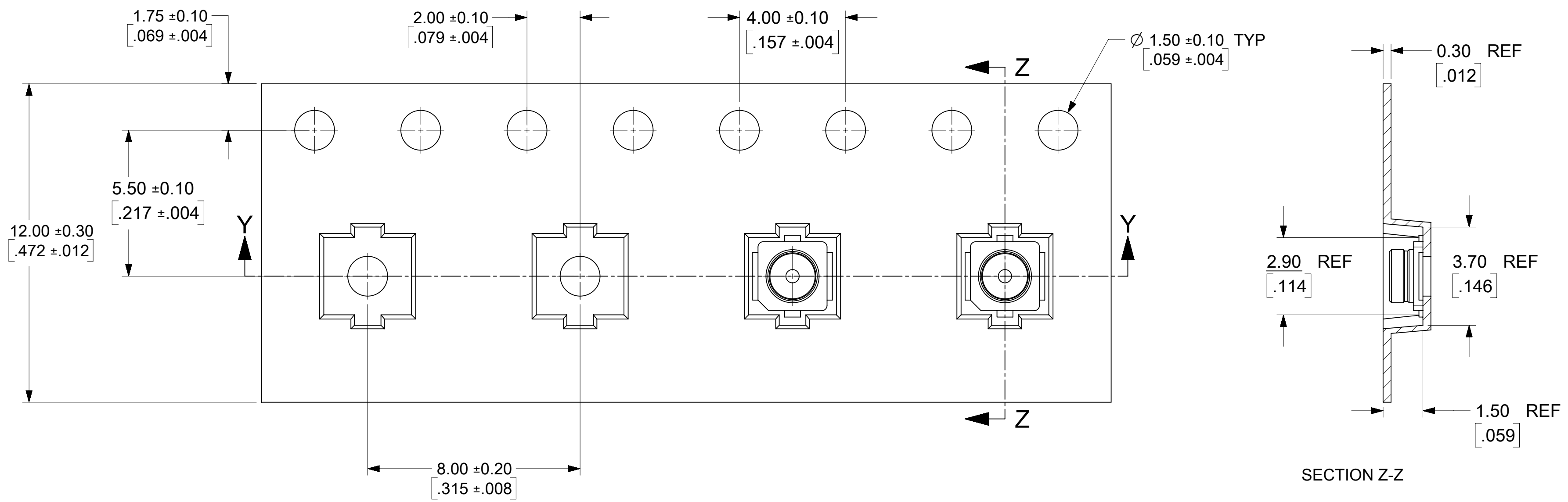
WILL WITHSTAND REFLOW  
 TEMPERATURE OF  
 260 DEG C 40 SEC MAXIMUM  
 VSWR  
 DC-6GHz: 1.30 MAX



73412-0116	BAG (500 SETS)
73412-0114	TAPE AND REEL (1K/REEL)
73412-0110	TAPE AND REEL (5K/REEL)
PART NO.	PACKAGING

FUNCTIONAL SYMBOLS		THIS DRAWING CONTAINS INFORMATION THAT IS PROPRIETARY TO MOLEX ELECTRONIC TECHNOLOGIES, LLC AND SHOULD NOT BE USED WITHOUT WRITTEN PERMISSION	
FA = 0	DIMENSION UNITS	SCALE	CURRENT REV DESC: UPDATED FOR NEW MOLD RER EWR14916-A & PCN511407
EA = 0	MM/INCH	NTS	
EP = 0	GENERAL TOLERANCES (UNLESS SPECIFIED)		
DIVISIONAL SYMBOLS		ANGULAR TOL ± 2.0°	EC NO: 714253
4 PLACES ±			DRWN: CWEI02 2021/12/16
3 PLACES ±			CHK'D: YCHENG 2022/07/20
2 PLACES ± 0.25			APPR: YCHENG 2022/07/20
1 PLACE ± 0.13			INITIAL REVISION:
0 PLACES ±			DRWN: YCHENG 2005/03/15
			APPR: MHUANG 2005/03/21
DRAFT WHERE APPLICABLE MUST REMAIN WITHIN DIMENSIONS		THIRD ANGLE PROJECTION	DRAWING SERIES
		C-SIZE	73412
DOCUMENT NUMBER		DOC TYPE	DOC PART
SD-73412-011		PSD	001
MATERIAL NUMBER		CUSTOMER	SHEET NUMBER
SEE TABLE		GENERAL MARKET	1 OF 4

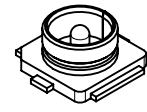
PS-73598-0210	PROD SPEC
SPECIFICATION	DESCRIPTION
DOCUMENT STATUS	P1
RELEASE DATE	2022/07/20 04:31:59



- NOTES:
- 10 SPROCKET HOLE PITCH CUMULATIVE TOLERANCE  $\pm 0.20\text{mm}$
  - CARRIER CAMBER IS WITH 1mm IN 250mm
  - MATERIAL : TRANSPARENT POLYSTYRENE
  - ALL DIMENSIONS MEET EIA-481-1 REQUIREMENT
  - COMPONENT LOAD PER 13" REEL (5,000 PCS), COMPONENT LOAD PER 7" REEL (1,000 PCS),

FUNCTIONAL SYMBOLS		THIS DRAWING CONTAINS INFORMATION THAT IS PROPRIETARY TO MOLEX ELECTRONIC TECHNOLOGIES, LLC AND SHOULD NOT BE USED WITHOUT WRITTEN PERMISSION		CURRENT REV DESC: UPDATED FOR NEW MOLD RER EWR14916-A & PCN511407		<b>molex</b>	
DIMENSION UNITS		SCALE		EWR-14242-J ADDED LABEL FORMAT FOR 73412-0116			
MM/INCH		NTS		EC NO: 714253		MCRF RECEPTACLE VERTICAL MCRF-J	
GENERAL TOLERANCES (UNLESS SPECIFIED)		ANGULAR TOL $\pm 2.0^\circ$		DRWN: CWEI02		PRODUCT CUSTOMER DRAWING	
4 PLACES $\pm$		3 PLACES $\pm$		2021/12/16		DOCUMENT NUMBER	
3 PLACES $\pm$		2 PLACES $\pm 0.25$		2022/07/20		SD-73412-011	
2 PLACES $\pm$		1 PLACE $\pm 0.13$		2022/07/20		PSD 001 D	
1 PLACE $\pm$		0 PLACES $\pm$		INITIAL REVISION:		DOC TYPE   DOC PART   REVISION	
0 PLACES $\pm$		DRAFT WHERE APPLICABLE MUST REMAIN WITHIN DIMENSIONS		DRWN: YCHENG		MATERIAL NUMBER	
THIRD ANGLE PROJECTION		DRAWING		2005/03/15		CUSTOMER	
C-SIZE		SERIES		2005/03/21		GENERAL MARKET	
73412		SEE TABLE		SHEET NUMBER		2 OF 4	

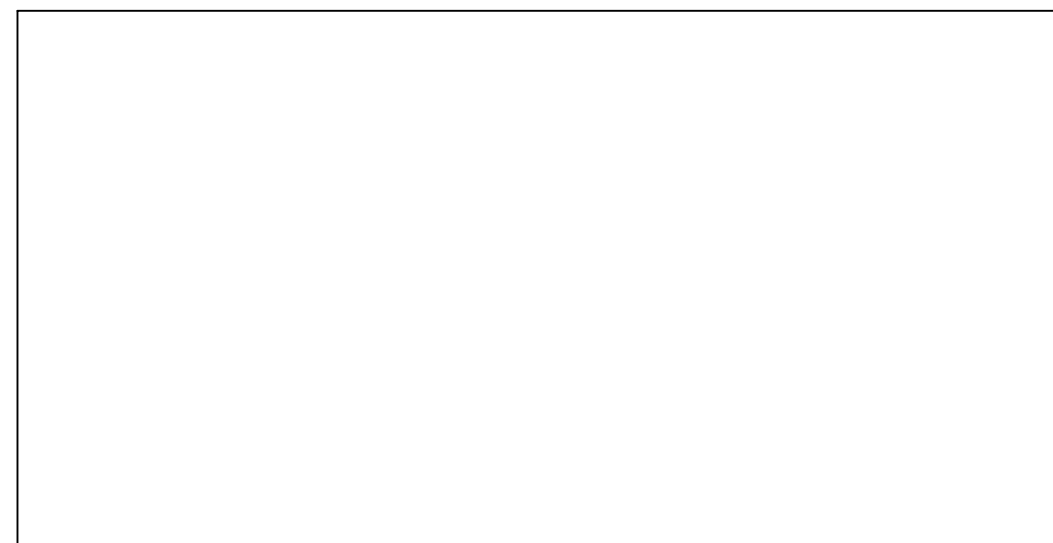




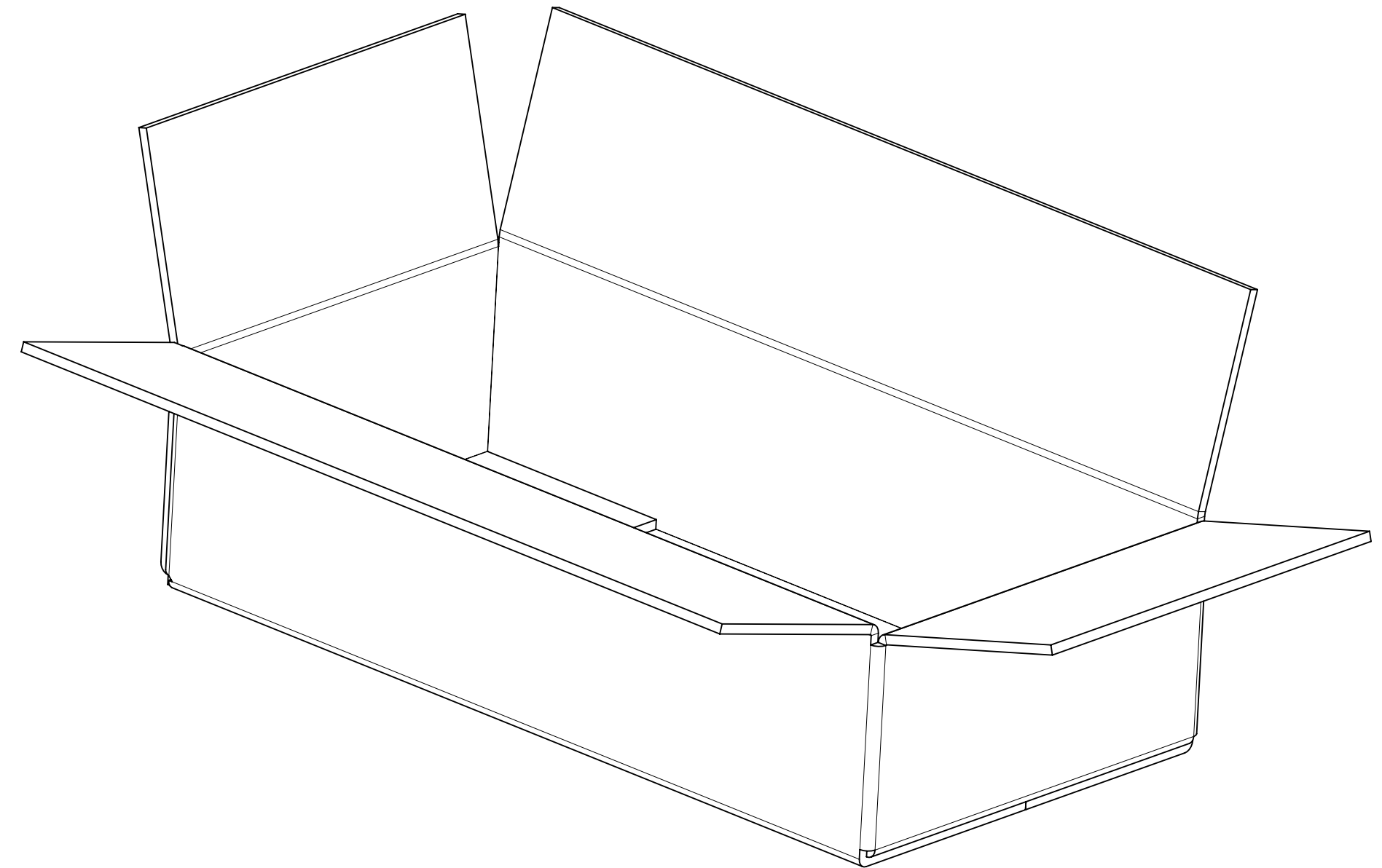
FOR 73412-0116 ONLY



10 SET PER POLYBAG  
P/N: 89707-0318

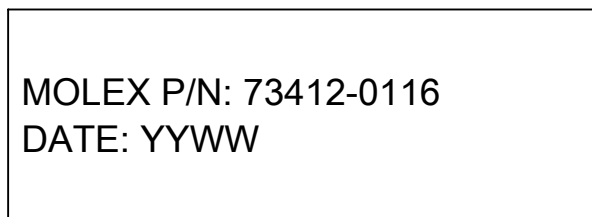


100 SET PER POLYBAG  
P/N: 89707-0001



500 SET PER OUTER CARTON BOX  
P/N: 96707-0003

LABEL WITH EACH BAG  
FOR 73412-0116



THIS DRAWING CONTAINS INFORMATION THAT IS PROPRIETARY TO MOLEX ELECTRONIC TECHNOLOGIES, LLC AND SHOULD NOT BE USED WITHOUT WRITTEN PERMISSION														
FUNCTIONAL SYMBOLS	DIMENSION UNITS	SCALE	CURRENT REV DESC: UPDATED FOR NEW MOLD RER EWR14916-A & PCN511407											
	$\frac{F}{A} = 0$	MM/INCH	NTS	EWR-14242-J ADDED LABEL FORMAT FOR 73412-0116										
DIVISIONAL SYMBOLS	GENERAL TOLERANCES (UNLESS SPECIFIED)		EC NO: 714253											
	$\frac{F}{C} = 0$	ANGULAR TOL $\pm 2.0^\circ$		DRWN: CWEI02			2021/12/16		molex					
$\frac{F}{P} = 0$	4 PLACES $\pm$		CHK'D: YCHENG			2022/07/20		MCRF RECEPTACLE VERTICAL MCRF-J						
3 PLACES $\pm$		APPR: YCHENG			2022/07/20		PRODUCT CUSTOMER DRAWING							
2 PLACES $\pm 0.25$		INITIAL REVISION:			DRWN: YCHENG		2005/03/15		DOCUMENT NUMBER	DOC TYPE	DOC PART	REVISION		
1 PLACE $\pm 0.13$		APPR: MHUANG			2005/03/21		SD-73412-011						PSD	001
0 PLACES $\pm$		DRAFT WHERE APPLICABLE MUST REMAIN WITHIN DIMENSIONS			THIRD ANGLE PROJECTION		DRAWING		MATERIAL NUMBER		CUSTOMER			
					C-SIZE		73412		GENERAL MARKET		4 OF 4			