

LOC	DIST	REVISIONS					
A	00	P	LTR	DESCRIPTION	DATE	DWN	APVD
			M1	SEE PRODUCTION DRAWING	-	-	-


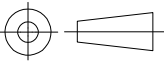
SEE PRODUCTION DRAWING  
1528268

RELEASED FOR PUBLICATION

ALL RIGHTS RESERVED.

THIS DRAWING IS UNPUBLISHED.

By -  
COPYRIGHT -

DIMENSIONS: INCHES	DWN	05MAR2012	MATERIAL	-	FINISH	-
	CHK	10MAY2012	 TE Connectivity			
TOLERANCES UNLESS OTHERWISE SPECIFIED:	M. YOUNGER	10MAY2012				
0 PLC ± -	APVD	10MAY2012	NAME FINE ADJ SIDE FD HD-I APPL			
1 PLC ± -	M. YOUNGER					
2 PLC ± -	PRODUCT SPEC		SIZE	CAGE CODE	DRAWING NO	RESTRICTED TO
3 PLC ± -	-		A4	00779	C-1528268	-
4 PLC ± -	APPLICATION SPEC		CUSTOMER DRAWING			
ANGLES ± -	WEIGHT	-	SCALE	1:1	SHEET	1 OF 1
			REV	M1		