

Smart Two Channel Highside Power Switch for Industrial Applications

Features

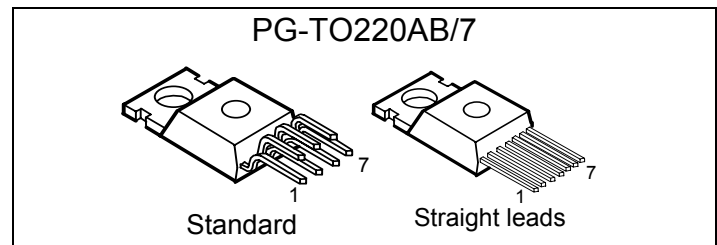
- Overload protection
- Current limitation
- Short circuit protection
- Thermal shutdown
- Overvoltage protection (including load dump)
- Fast demagnetization of inductive loads
- Reverse battery protection¹⁾
- Undervoltage and overvoltage shutdown with auto-restart and hysteresis
- Open drain diagnostic output
- Open load detection in ON-state
- CMOS compatible input
- Loss of ground and loss of V_{bb} protection
- Electrostatic discharge (ESD) protection

Product Summary

| | | | | |
|------------------------|--------------|------------|---------------|----|
| Overvoltage protection | $V_{bb(AZ)}$ | 43 | V | |
| Operating voltage | $V_{bb(on)}$ | 5.0 ... 34 | V | |
| Operating temperature | T_a | -30...+85 | °C | |
| | channels: | each | both parallel | |
| On-state resistance | R_{ON} | 100 | 50 | mΩ |
| Load current (ISO) | $I_{L(ISO)}$ | 4.4 | 8.5 | A |
| Current limitation | $I_{L(SCr)}$ | 8 | 8 | A |

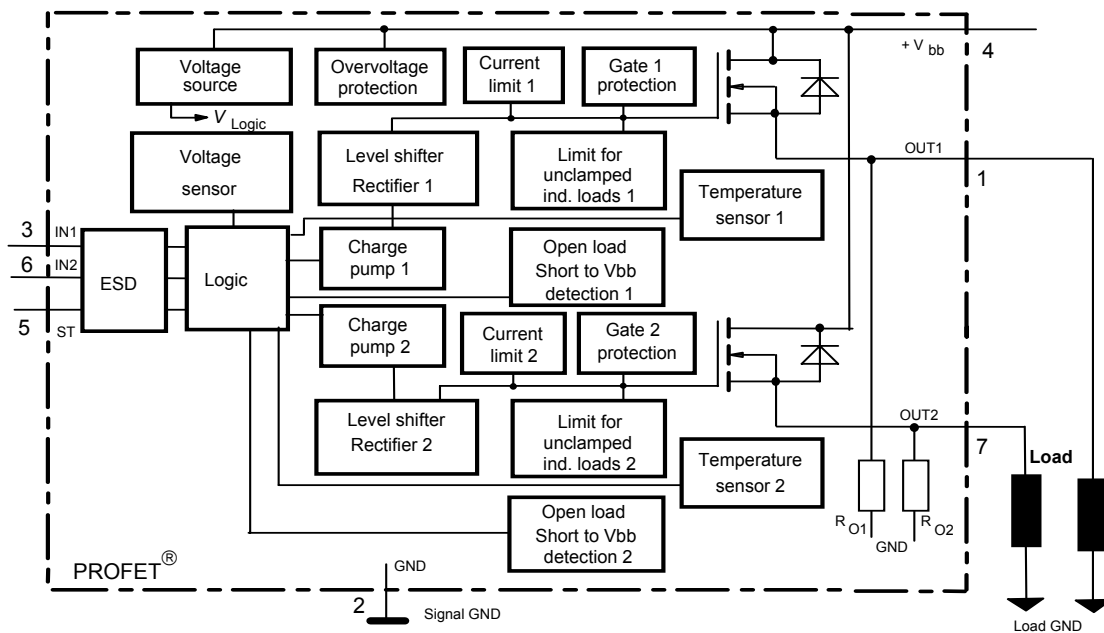
Application

- ∞C compatible power switch with diagnostic feedback for 12 V and 24 V DC grounded loads in industrial applications
- All types of resistive, inductive and capacitive loads
- Replaces electromechanical relays, fuses and discrete circuits



General Description

N channel vertical power FET with charge pump, ground referenced CMOS compatible input and diagnostic feedback, monolithically integrated in Smart SIPMOS® technology. Providing embedded protective functions.



1) With external current limit (e.g. resistor $R_{GND}=150\ \Omega$) in GND connection, resistor in series with ST connection, reverse load current limited by connected load.

| Pin | Symbol | Function |
|-----|-----------------|---|
| 1 | OUT1 (Load, L) | Output 1, protected high-side power output of channel 1 |
| 2 | GND | Logic ground |
| 3 | IN1 | Input 1, activates channel 1 in case of logical high signal |
| 4 | V _{bb} | Positive power supply voltage, the tab is shorted to this pin |
| 5 | ST | Diagnostic feedback: open drain, low on failure |
| 6 | IN2 | Input 2, activates channel 2 in case of logical high signal |
| 7 | OUT2 (Load, L) | Output 2, protected high-side power output of channel 2 |

Maximum Ratings at $T_j = 25\text{ °C}$ unless otherwise specified

| Parameter | Symbol | Values | Unit |
|---|---|--------------|------|
| Supply voltage (overvoltage protection see page 4) | V_{bb} | 43 | V |
| Supply voltage for full short circuit protection $T_{j\text{ start}} = -40 \dots +150\text{ °C}$ | V_{bb} | 34 | V |
| Load dump protection ²⁾ $V_{\text{Load Dump}} = U_A + V_s$, $U_A = 13.5\text{ V}$ $R_1^3 = 2\ \Omega$, $R_L = 2.7\ \Omega$, $t_d = 200\text{ ms}$, IN= low or high | $V_{\text{Load dump}}^4)$ | 60 | V |
| Load current (Short circuit current, see page 5) | I_L | self-limited | A |
| Junction temperature | T_j | +150 | °C |
| Operating temperature range | T_a | -30 ... +85 | |
| Storage temperature range | T_{stg} | -40 ... +105 | |
| Power dissipation (DC), $T_C \leq 25\text{ °C}$ | P_{tot} | 75 | W |
| Inductive load switch-off energy dissipation, single pulse $V_{bb} = 12\text{ V}$, $T_{j\text{ start}} = 150\text{ °C}$, $T_C = 150\text{ °C}$ const. one channel, $I_L = 4.4\text{ A}$, $Z_L = 32\text{ mH}$, $0\ \Omega$: both channels parallel, $I_L = 8.5\text{ A}$, $Z_L = 17\text{ mH}$, $0\ \Omega$: see diagrams on page 9 | E_{AS} | 395 790 | mJ |
| Electrostatic discharge capability (ESD) (Human Body Model) acc. MIL-STD883D, method 3015.7 and ESD assn. std. S5.1-1993 | IN: V_{ESD} all other pins: | 1.0 2.0 | kV |
| Input voltage (DC) | V_{IN} | -10 ... +16 | V |
| Current through input pin (DC) | I_{IN} | ± 2.0 | mA |
| Current through status pin (DC) | I_{ST} | ± 5.0 | |
| see internal circuit diagrams page 7 | | | |

2) Supply voltages higher than $V_{bb(AZ)}$ require an external current limit for the GND and status pins, e.g. with a $150\ \Omega$ resistor in the GND connection and a $15\text{ k}\Omega$ resistor in series with the status pin. A resistor for the protection of the input is integrated.

3) R_1 = internal resistance of the load dump test pulse generator

4) $V_{\text{Load dump}}$ is setup without the DUT connected to the generator per ISO 7637-1 and DIN 40839

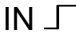

Thermal Characteristics

| Parameter and Conditions | Symbol | Values | | | Unit |
|---|------------|--------|-----|-----|------|
| | | min | typ | max | |
| Thermal resistance chip - case, both channels: each channel: | R_{thJC} | -- | -- | 1.7 | K/W |
| | | -- | -- | 3.4 | |
| junction - ambient (free air): | R_{thJA} | -- | -- | 75 | |

Electrical Characteristics

| Parameter and Conditions, each channel at $T_j = 25\text{ °C}$, $V_{bb} = 12\text{ V}$ unless otherwise specified | Symbol | Values | | | Unit |
|---|--------|--------|-----|-----|------|
| | | min | typ | max | |

Load Switching Capabilities and Characteristics

| | | | | | | |
|---|---|------------------|------------|------------|------------|--------------|
| On-state resistance (pin 4 to 1 or 7) $I_L = 2\text{ A}$ each channel | $T_j = 25\text{ °C}$: $T_j = 150\text{ °C}$: | R_{ON} | -- | 80 160 | 100 200 | $m\Omega$ |
| Nominal load current, ISO Norm (pin 4 to 1 or 7) $V_{ON} = 0.5\text{ V}$, $T_C = 85\text{ °C}$ | each channel: both channels parallel: | $I_{L(ISO)}$ | 3.5 6.8 | 4.4 8.5 | -- -- | A |
| Output current (pin 1 or 7) while GND disconnected or GND pulled up, $V_{bb} = 30\text{ V}$, $V_{IN} = 0$, see diagram page 8 | | $I_{L(GNDhigh)}$ | -- | -- | 10 | mA |
| Turn-on time IN  to 90% V_{OUT} : | | t_{on} | 80 | 200 | 400 | ∞s |
| Turn-off time IN  to 10% V_{OUT} : | | t_{off} | 80 | 200 | 400 | |
| $R_L = 12\ \Omega$, $T_j = -40\dots+150\text{ °C}$ | | | | | | |
| Slew rate on 10 to 30% V_{OUT} , $R_L = 12\ \Omega$, $T_j = -40\dots+150\text{ °C}$ | | dV/dt_{on} | 0.1 | -- | 1 | $V/\infty s$ |
| Slew rate off 70 to 40% V_{OUT} , $R_L = 12\ \Omega$, $T_j = -40\dots+150\text{ °C}$ | | $-dV/dt_{off}$ | 0.1 | -- | 1 | $V/\infty s$ |

| Parameter and Conditions, each channel at $T_j = 25^\circ\text{C}$, $V_{bb} = 12\text{ V}$ unless otherwise specified | Symbol | Values | | | Unit |
|---|--|--------|----------|------------|------------------|
| | | min | typ | max | |
| Operating Parameters | | | | | |
| Operating voltage ⁵⁾ | $T_j = -40\dots+150^\circ\text{C}$: $V_{bb(\text{on})}$ | 5.0 | -- | 34 | V |
| Undervoltage shutdown | $T_j = -40\dots+150^\circ\text{C}$: $V_{bb(\text{under})}$ | 3.5 | -- | 5.0 | V |
| Undervoltage restart | $T_j = -40\dots+25^\circ\text{C}$: $V_{bb(\text{u rst})}$ $T_j = +150^\circ\text{C}$: | -- | -- | 5.0 7.0 | V |
| Undervoltage restart of charge pump see diagram page 13 | $T_j = -40\dots+150^\circ\text{C}$: $V_{bb(\text{ucp})}$ | -- | 5.6 | 7.0 | V |
| Undervoltage hysteresis $\Delta V_{bb(\text{under})} = V_{bb(\text{u rst})} - V_{bb(\text{under})}$ | $\Delta V_{bb(\text{under})}$ | -- | 0.2 | -- | V |
| Overvoltage shutdown | $T_j = -40\dots+150^\circ\text{C}$: $V_{bb(\text{over})}$ | 34 | -- | 43 | V |
| Overvoltage restart | $T_j = -40\dots+150^\circ\text{C}$: $V_{bb(\text{o rst})}$ | 33 | -- | -- | V |
| Overvoltage hysteresis | $T_j = -40\dots+150^\circ\text{C}$: $\Delta V_{bb(\text{over})}$ | -- | 0.5 | -- | V |
| Overvoltage protection ⁶⁾ $I_{bb}=40\text{ mA}$ | $T_j = -40\dots+150^\circ\text{C}$: $V_{bb(\text{AZ})}$ | 42 | 47 | -- | V |
| Standby current (pin 4) $V_{IN}=0$ | $T_j = -40\dots+25^\circ\text{C}$: $I_{bb(\text{off})}$ $T_j = 150^\circ\text{C}$: | -- | 14 17 | 30 35 | ∞A |
| Leakage output current (included in $I_{bb(\text{off})}$) $V_{IN}=0$ | $I_{L(\text{off})}$ | -- | -- | 12 | ∞A |
| Operating current (Pin 2) ⁷⁾ , $V_{IN}=5\text{ V}$ both channels on, $T_j = -40\dots+150^\circ\text{C}$ | I_{GND} | -- | 4 | 6 | mA |
| Operating current (Pin 2) ⁷⁾ one channel on, $T_j = -40\dots+150^\circ\text{C}$: | I_{GND} | -- | 2 | 3 | mA |

5) At supply voltage increase up to $V_{bb} = 5.6\text{ V}$ typ without charge pump, $V_{OUT} \approx V_{bb} - 2\text{ V}$

6) See also $V_{ON(\text{CL})}$ in table of protection functions and circuit diagram page 8.

7) Add I_{ST} , if $I_{ST} > 0$, add I_{IN} , if $V_{IN} > 5.5\text{ V}$

| Parameter and Conditions, each channel at $T_j = 25\text{ °C}$, $V_{bb} = 12\text{ V}$ unless otherwise specified | Symbol | Values | | | Unit |
|---|-----------------|--------------|---------------|----------------|------|
| | | min | typ | max | |
| Protection Functions⁸⁾ | | | | | |
| Initial peak short circuit current limit (pin 4 to 1 or 7) $T_j = -40\text{ °C}$: $T_j = 25\text{ °C}$: $T_j = +150\text{ °C}$: | $I_{L(SCp)}$ | 11 9 5 | 18 14 8 | 25 22 14 | A |
| Repetitive short circuit shutdown current limit $T_j = T_{jt}$ (see timing diagrams, page 11) | $I_{L(SCr)}$ | -- | 8 | -- | A |
| Output clamp (inductive load switch off) at $V_{OUT} = V_{bb} - V_{ON(CL)}$ $I_L = 40\text{ mA}$, $T_j = -40..+150\text{ °C}$: | $V_{ON(CL)}$ | 41 | 47 | 53 | V |
| Thermal overload trip temperature | T_{jt} | 150 | -- | -- | °C |
| Thermal hysteresis | ΔT_{jt} | -- | 10 | -- | K |
| Reverse battery (pin 4 to 2) ⁹⁾ | $-V_{bb}$ | -- | -- | 32 | V |
| Reverse battery voltage drop ($V_{out} > V_{bb}$) $I_L = -2.9\text{ A}$, each channel $T_j = 150\text{ °C}$: | $-V_{ON(rev)}$ | -- | 610 | -- | mV |

Diagnostic Characteristics

| | | | | | |
|---|---------------|----------|----------|------------|----|
| Open load detection current (on-condition) $T_j = -40\text{ °C}$: $T_j = 25..150\text{ °C}$: | $I_L(OL)$ | 20 20 | -- -- | 400 300 | mA |
| Open load detection voltage ¹⁰⁾ (off-condition) $T_j = -40..150\text{ °C}$: | $V_{OUT(OL)}$ | 2 | 3 | 4 | V |
| Internal output pull down (pin 1 or 7 to 2), $V_{OUT} = 5\text{ V}$, $T_j = -40..150\text{ °C}$ | R_O | 4 | 10 | 30 | kΩ |

⁸⁾ Integrated protection functions are designed to prevent IC destruction under fault conditions described in the data sheet. Fault conditions are considered as "outside" normal operating range. Protection functions are not designed for continuous repetitive operation.

⁹⁾ Requires 150 Ω resistor in GND connection. The reverse load current through the intrinsic drain-source diode has to be limited by the connected load. Note that the power dissipation is higher compared to normal operating conditions due to the voltage drop across the intrinsic drain-source diode. The temperature protection is not active during reverse current operation! Input and Status currents have to be limited (see max. ratings page 2 and circuit page 8).

¹⁰⁾ External pull up resistor required for open load detection in off state.

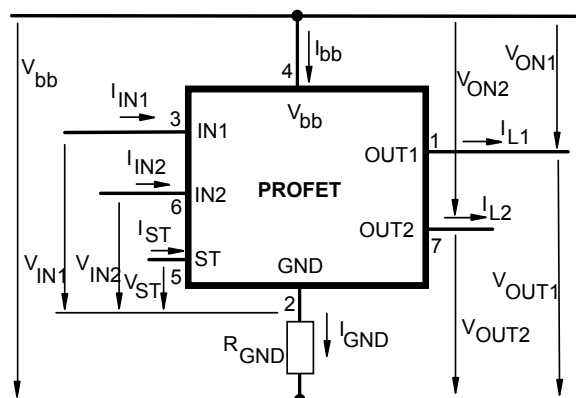
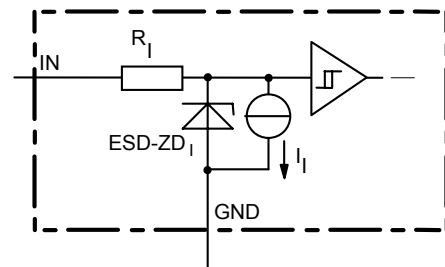
| Parameter and Conditions, each channel at $T_j = 25^\circ\text{C}$, $V_{bb} = 12\text{ V}$ unless otherwise specified | Symbol | Values | | | Unit |
|--|--------------------|--------|-----|-----|------------------|
| | | min | typ | max | |
| Input and Status Feedback¹¹⁾ | | | | | |
| Input resistance $T_j = -40..+150^\circ\text{C}$, see circuit page 7 | R_i | 2.5 | 3.5 | 6 | $\text{k}\Omega$ |
| Input turn-on threshold voltage \int $T_j = -40..+150^\circ\text{C}$: | $V_{IN(T+)}$ | 1.7 | -- | 3.5 | V |
| Input turn-off threshold voltage \searrow $T_j = -40..+150^\circ\text{C}$: | $V_{IN(T-)}$ | 1.5 | -- | -- | V |
| Input threshold hysteresis | $\Delta V_{IN(T)}$ | -- | 0.5 | -- | V |
| Off state input current (pin 3 or 6), $V_{IN} = 0.4\text{ V}$, $T_j = -40..+150^\circ\text{C}$ | $I_{IN(off)}$ | 1 | -- | 50 | ∞A |
| On state input current (pin 3 or 6), $V_{IN} = 3.5\text{ V}$, $T_j = -40..+150^\circ\text{C}$ | $I_{IN(on)}$ | 20 | 50 | 90 | ∞A |
| Delay time for status with open load after switch off (other channel in off state) (see timing diagrams, page 12), $T_j = -40..+150^\circ\text{C}$ | $t_{d(ST\ OL4)}$ | 100 | 320 | 800 | ∞s |
| Delay time for status with open load after switch off (other channel in on state) (see timing diagrams, page 12), $T_j = -40..+150^\circ\text{C}$ | $t_{d(ST\ OL5)}$ | -- | 5 | 20 | ∞s |
| Status invalid after positive input slope (open load) $T_j = -40 \dots +150^\circ\text{C}$: | $t_{d(ST)}$ | -- | 200 | 600 | ∞s |
| Status output (open drain) | | | | | |
| Zener limit voltage $T_j = -40\dots+150^\circ\text{C}$, $I_{ST} = +1.6\text{ mA}$: | $V_{ST(high)}$ | 5.4 | 6.1 | -- | V |
| ST low voltage $T_j = -40\dots+25^\circ\text{C}$, $I_{ST} = +1.6\text{ mA}$: | $V_{ST(low)}$ | -- | -- | 0.4 | |
| $T_j = +150^\circ\text{C}$, $I_{ST} = +1.6\text{ mA}$: | | -- | -- | 0.6 | |

¹¹⁾ If a ground resistor R_{GND} is used, add the voltage drop across this resistor.

Truth Table

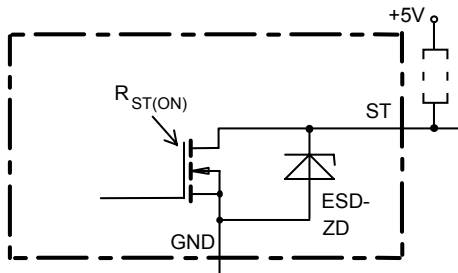
| | | IN1 | IN2 | OUT1 | OUT2 | ST ITS621L1 |
|--|--------------|-----|-----|------|------|---------------------|
| Normal operation | | L | L | L | L | H |
| | | L | H | L | H | H |
| | | H | L | H | L | H |
| | | H | H | H | H | H |
| Open load | Channel 1 | L | L | Z | L | H(L ¹²) |
| | | L | H | Z | H | H |
| | | H | X | H | X | L |
| | Channel 2 | L | L | L | Z | H(L ¹²) |
| | | H | L | H | Z | H |
| | | X | H | X | H | L |
| Short circuit to V_{bb} | Channel 1 | L | L | H | L | L ¹³ |
| | | L | H | H | H | H |
| | | H | X | H | X | H(L ¹⁴) |
| | Channel 2 | L | L | L | H | L ¹³ |
| | | H | L | H | H | H |
| | | X | H | X | H | H(L ¹⁴) |
| Overtemperature | both channel | L | L | L | L | H |
| | | X | H | L | L | L |
| | | H | X | L | L | L |
| | Channel 1 | L | X | L | X | H |
| | | H | X | L | X | L |
| | Channel 2 | X | L | X | L | H |
| X | H | X | L | L | | |
| Undervoltage/ Overvoltage | | X | X | L | L | H |

L = "Low" Level X = don't care Z = high impedance, potential depends on external circuit
H = "High" Level Status signal after the time delay shown in the diagrams (see fig 5. page 12...13)

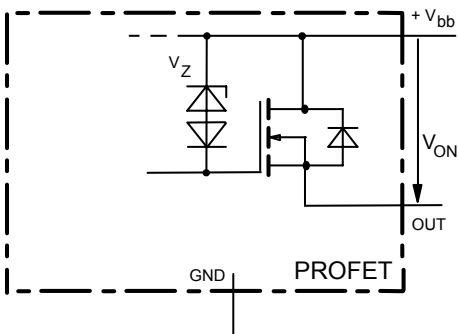
Terms

Input circuit (ESD protection)


ESD zener diodes are not to be used as voltage clamp at DC conditions. Operation in this mode may result in a drift of the zener voltage (increase of up to 1 V).

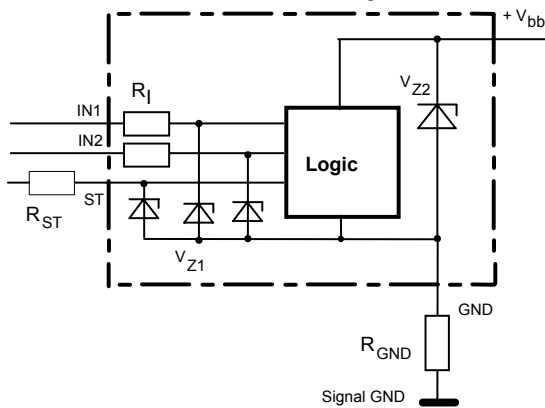
- 12) With additional external pull up resistor
- 13) An external short of output to V_{bb} , in the off state, causes an internal current from output to ground. If R_{GND} is used, an offset voltage at the GND and ST pins will occur and the $V_{ST\ low}$ signal may be erroneous.
- 14) Low resistance to V_{bb} may be detected in the ON-state by the no-load-detection

Status output


ESD-Zener diode: 6.1 V typ., max 5 mA;
 $R_{ST(ON)} < 380 \Omega$ at 1.6 mA, ESD zener diodes are not to be used as voltage clamp at DC conditions.
 Operation in this mode may result in a drift of the zener voltage (increase of up to 1 V).

Inductive and overvoltage output clamp


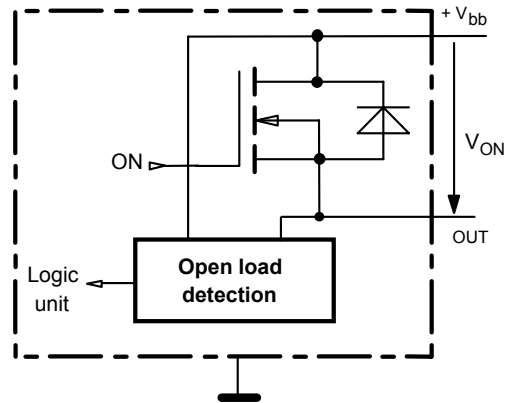
V_{ON} clamped to 47 V typ.

Overvolt. and reverse batt. protection


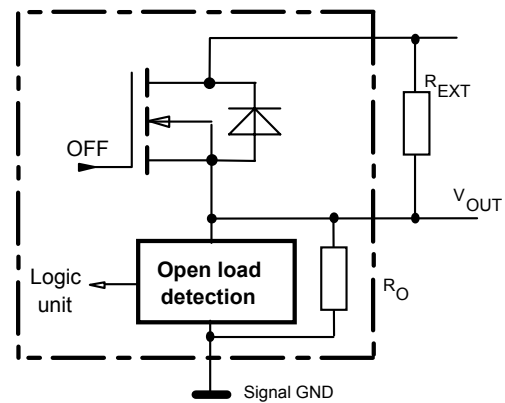
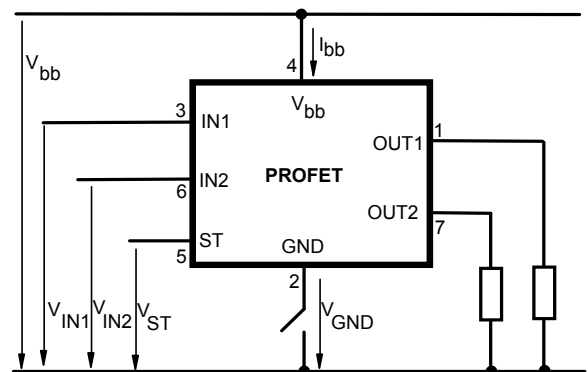
$V_{Z1} = 6.1 \text{ V typ.}$, $V_{Z2} = 47 \text{ V typ.}$, $R_I = 3.5 \text{ k}\Omega \text{ typ.}$, $R_{GND} = 150 \Omega$

Open-load detection

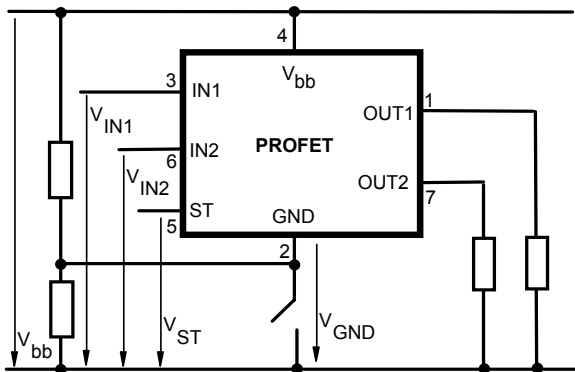
ON-state diagnostic condition: $V_{ON} < R_{ON} * I_{L(OL)}$; IN high



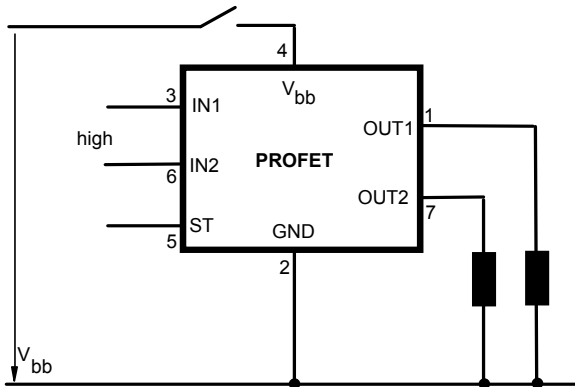
OFF-state diagnostic condition: $V_{OUT} > 3 \text{ V typ.}$; IN low


GND disconnect


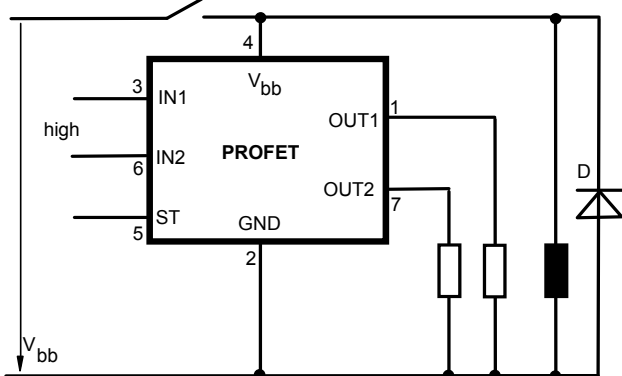
Any kind of load. In case of Input=high is $V_{OUT} \approx V_{IN} - V_{IN(T+)}$.
 Due to $V_{GND} > 0$, no $V_{ST} = \text{low signal}$ available.

GND disconnect with GND pull up


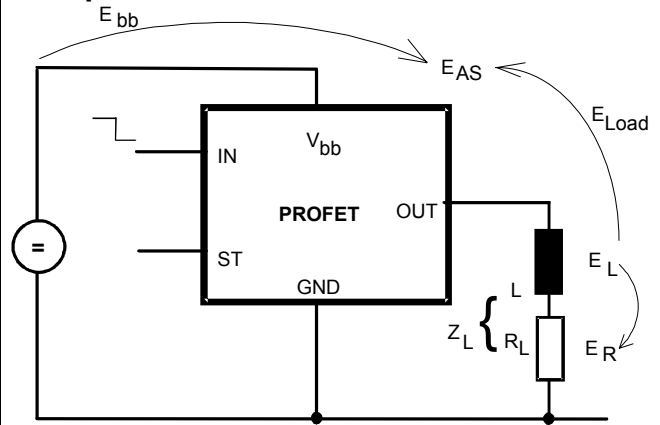
Any kind of load. If $V_{GND} > V_{IN} - V_{IN(T+)}$ device stays off
 Due to $V_{GND} > 0$, no V_{ST} = low signal available.

Vbb disconnect with energized inductive load


Normal load current can be handled by the PROFET itself.

Vbb disconnect with charged external inductive load


If other external inductive loads L are connected to the PROFET, additional elements like D are necessary.

Inductive Load switch-off energy dissipation


Energy stored in load inductance:

$$E_L = \frac{1}{2} \cdot L \cdot I_L^2$$

While demagnetizing load inductance, the energy dissipated in PROFET is

$$E_{AS} = E_{bb} + E_L - E_R = \int V_{ON(CL)} \cdot i_L(t) dt,$$

with an approximate solution for $R_L > 0 \Omega$:

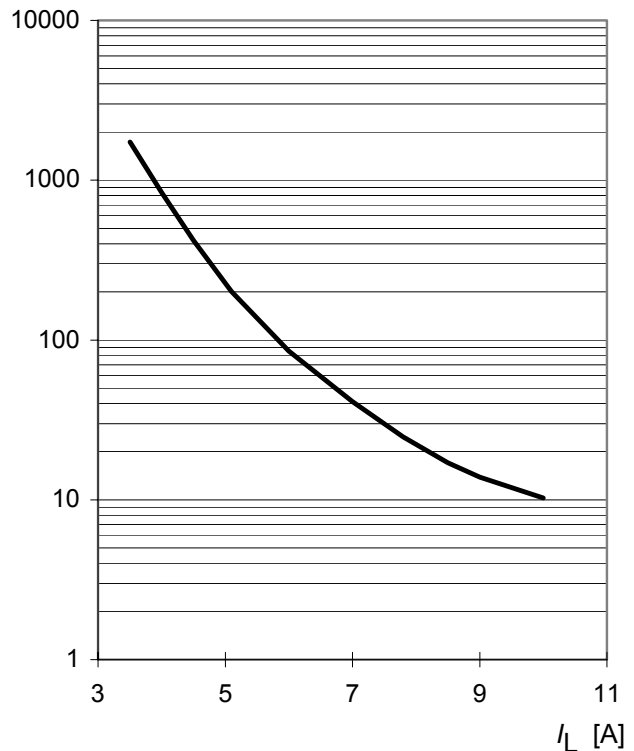
$$E_{AS} = \frac{I_L \cdot L}{2 \cdot R_L} \cdot (V_{bb} + |V_{OUT(CL)}|) \cdot \ln \left(1 + \frac{I_L \cdot R_L}{|V_{OUT(CL)}|} \right)$$

Maximum allowable load inductance for a single switch off (both channels parallel)

$L = f(I_L)$; $T_{j,start} = 150^\circ\text{C}$, $T_C = 150^\circ\text{C}$ const.,

$V_{bb} = 12\text{V}$, $R_L = 0 \Omega$

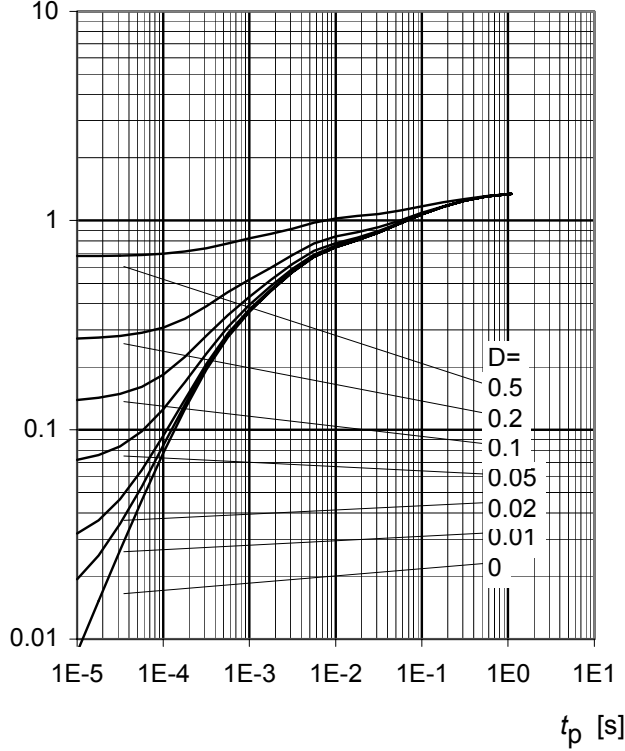
L [mH]



Typ. transient thermal impedance chip case

$Z_{thJC} = f(t_p)$, one Channel active

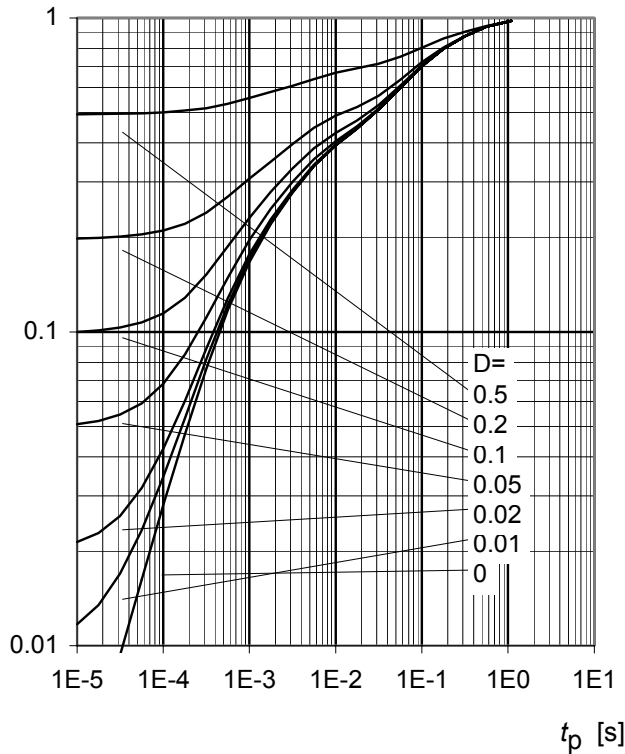
Z_{thJC} [K/W]



Typ. transient thermal impedance chip case

$Z_{thJC} = f(t_p)$, both Channel active

Z_{thJC} [K/W]



Timing diagrams

Both channels are symmetric and consequently the diagrams are valid for each channel as well as for permuted channels

Figure 1a: V_{bb} turn on:

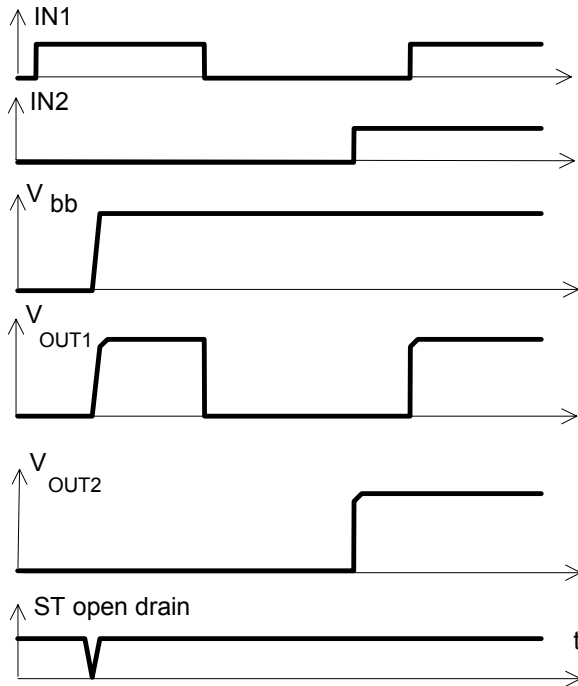


Figure 2a: Switching a lamp:

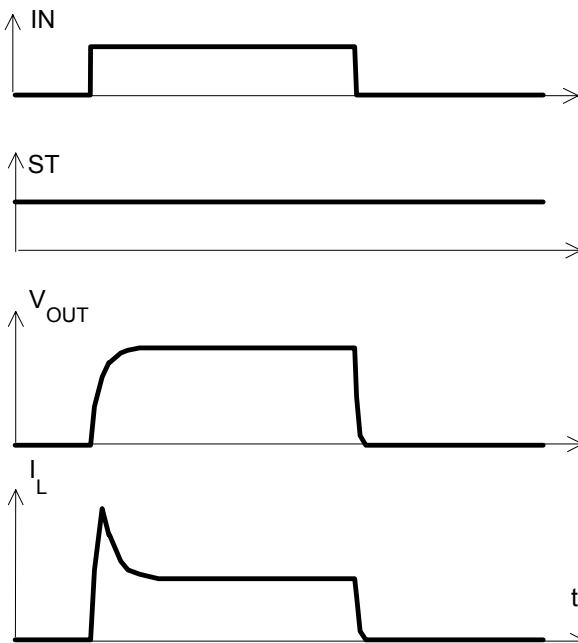
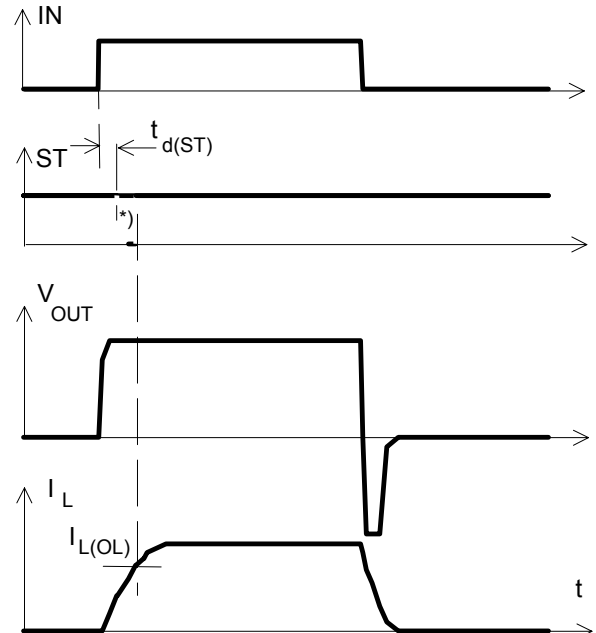
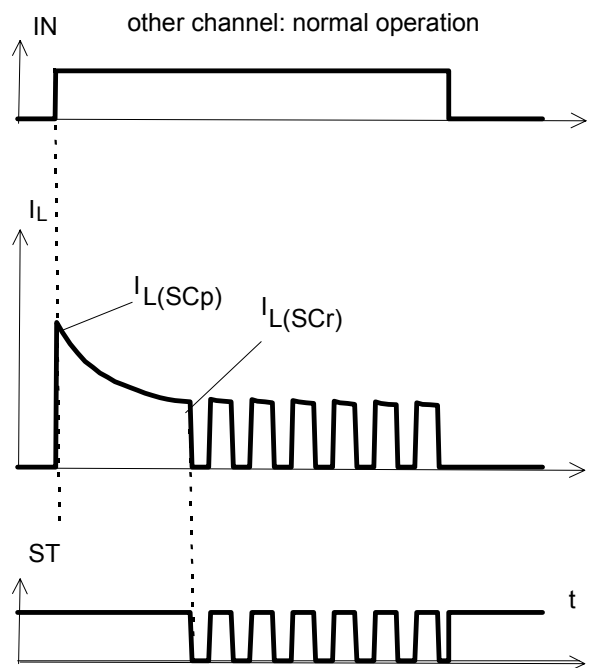


Figure 2b: Switching an inductive load



*) if the time constant of load is too large, open-load-status may occur

Figure 3a: Short circuit shut down by overtemperature, reset by cooling



Heating up may require several milliseconds, depending on external conditions

Figure 4a: Overtemperature:
Reset if $T_j < T_{jt}$

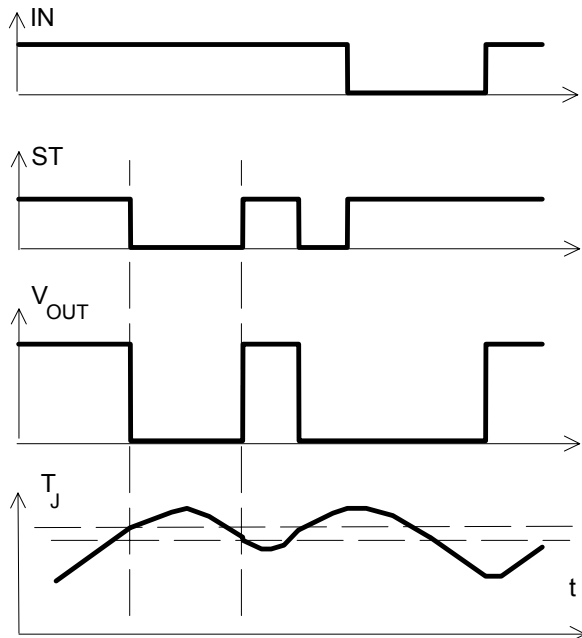


Figure 5a: Open load: detection in ON-state, open load occurs in on-state

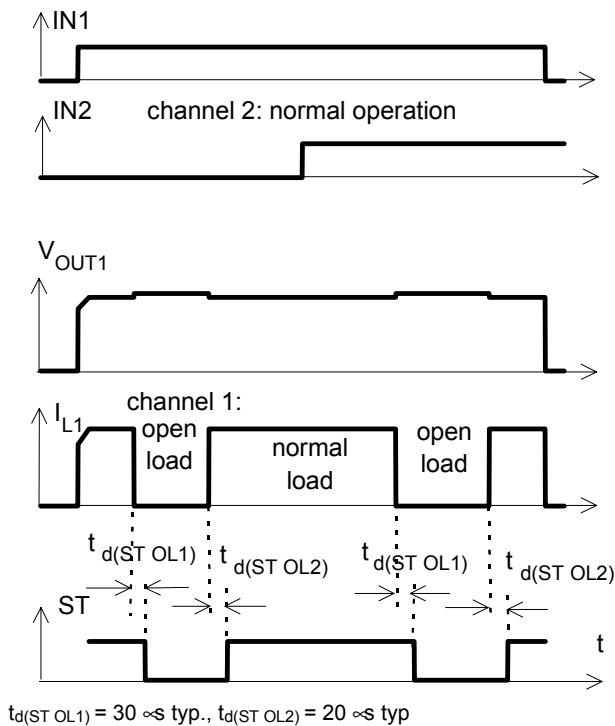


Figure 5b: Open load: detection in ON-state, turn on/off to open load

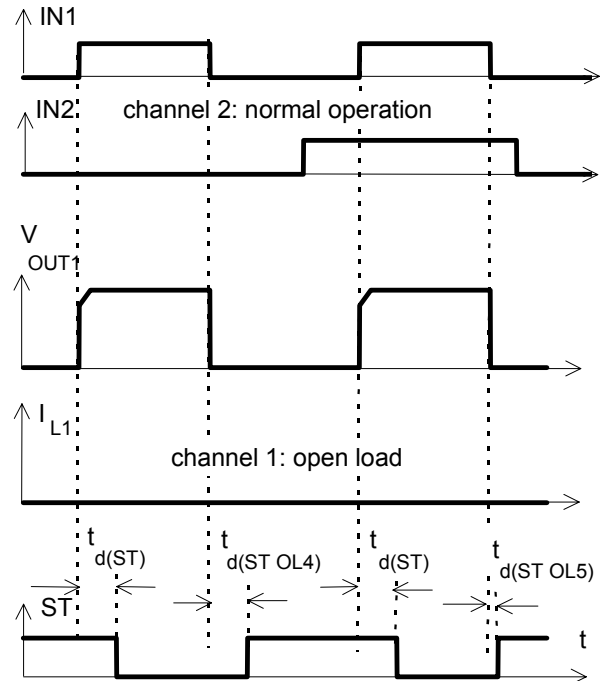


Figure 5c: Open load: detection in ON- and OFF-state (with R_{EXT}), turn on/off to open load

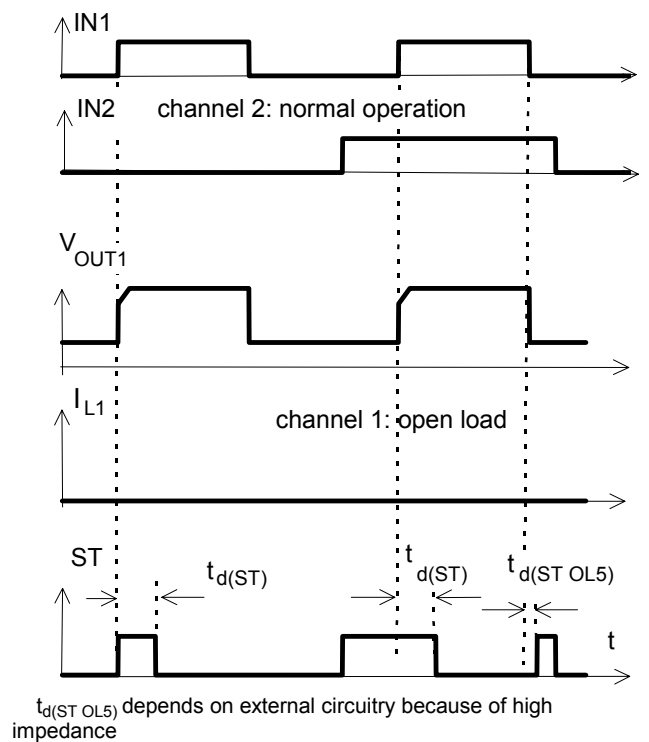


Figure 6a: Undervoltage:

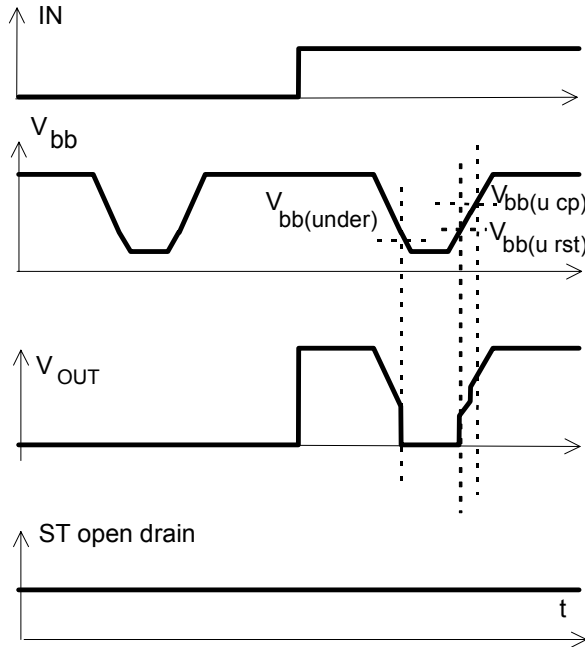


Figure 7a: Overvoltage:

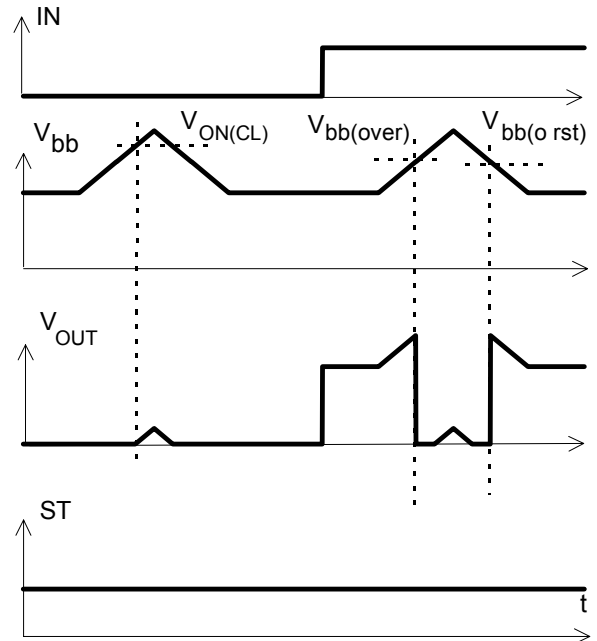
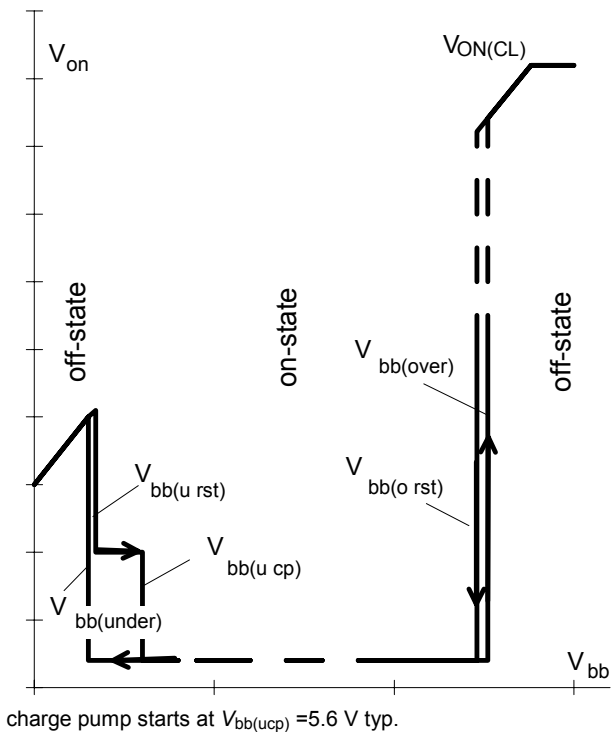


Figure 6b: Undervoltage restart of charge pump

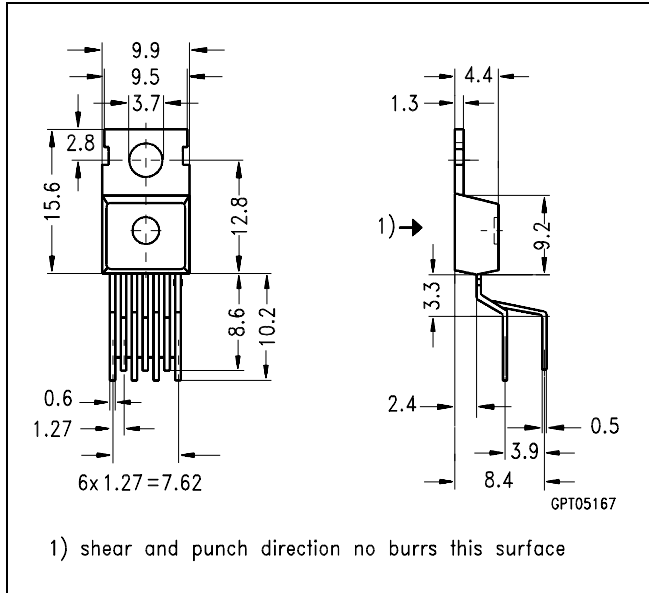


Package and Ordering Code

All dimensions in mm

Standard PG-TO220AB/7 Ordering code

| | |
|----------|-------------|
| ITS621L1 | SP000219533 |
|----------|-------------|



Published by
Infineon Technologies AG,
St.-Martin-Strasse 53,
D-81669 München
 © Infineon Technologies AG 2006
All Rights Reserved.

Attention please!

The information herein is given to describe certain components and shall not be considered as a guarantee of characteristics.

Terms of delivery and rights to technical change reserved.

We hereby disclaim any and all warranties, including but not limited to warranties of non-infringement, regarding circuits, descriptions and charts stated herein.

Infineon Technologies is an approved CECC manufacturer.

Information

For further information on technology, delivery terms and conditions and prices please contact your nearest Infineon Technologies Office in Germany or our Infineon Technologies Representatives worldwide (see address list).

Warnings

Due to technical requirements components may contain dangerous substances. For information on the types in question please contact your nearest Infineon Technologies Office.

Infineon Technologies Components may only be used in life-support devices or systems with the express written approval of Infineon Technologies, if a failure of such components can reasonably be expected to cause the failure of that life-support device or system, or to affect the safety or effectiveness of that device or system. Life support devices or systems are intended to be implanted in the human body, or to support and/or maintain and sustain and/or protect human life. If they fail, it is reasonable to assume that the health of the user or other persons may be endangered.

PG-TO220AB/7, Opt. E3230 Ordering code

| | |
|----------------|-------------|
| ITS621L1 E3230 | SP000221224 |
|----------------|-------------|

