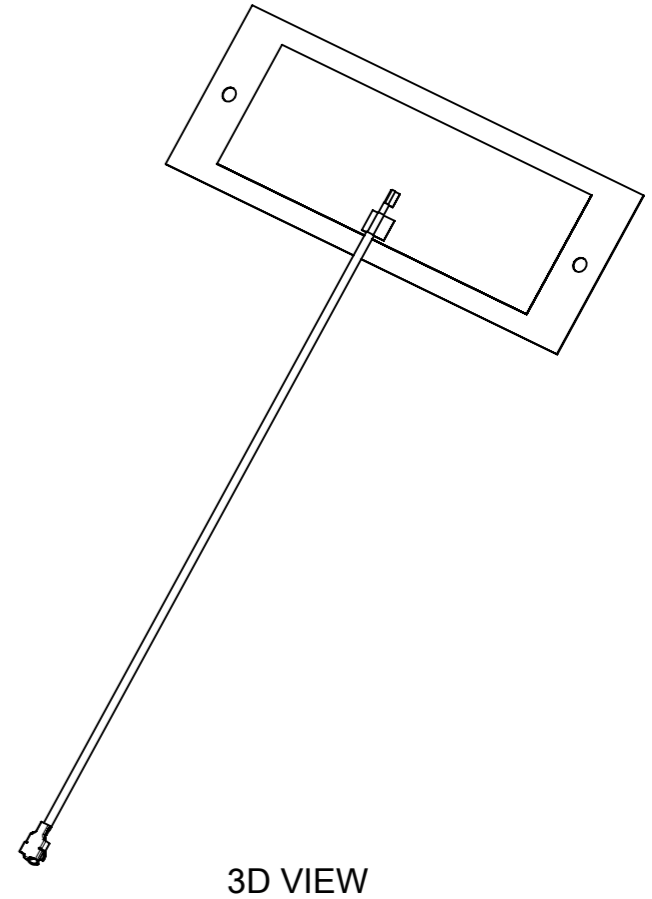
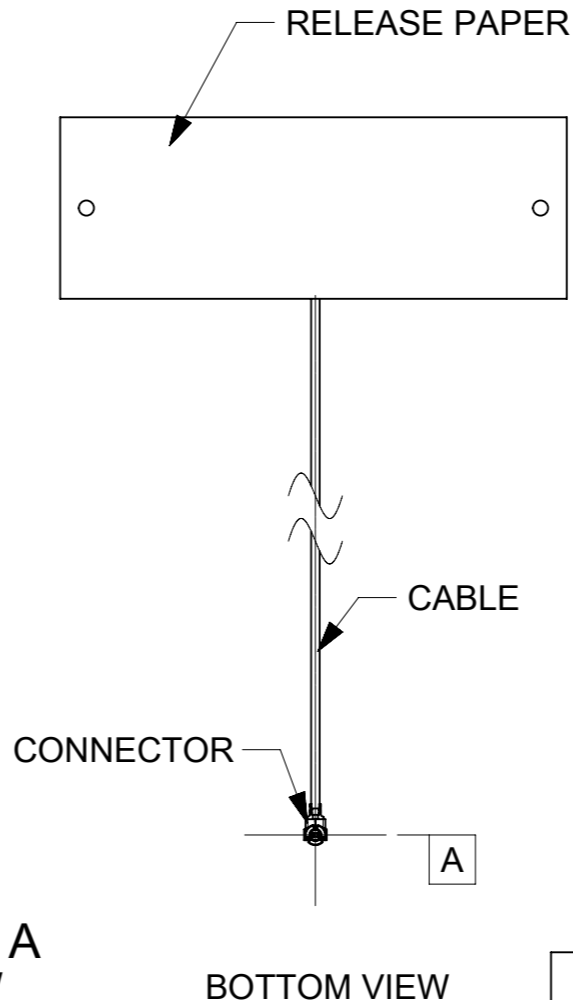
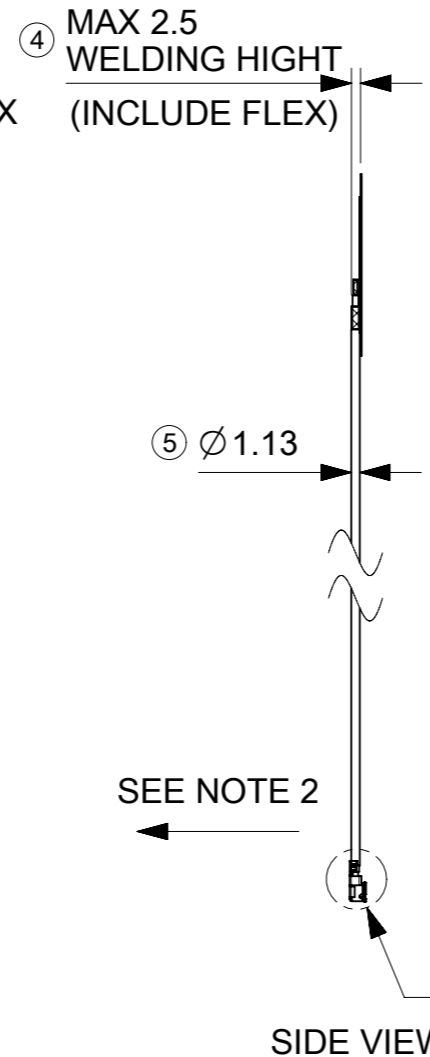
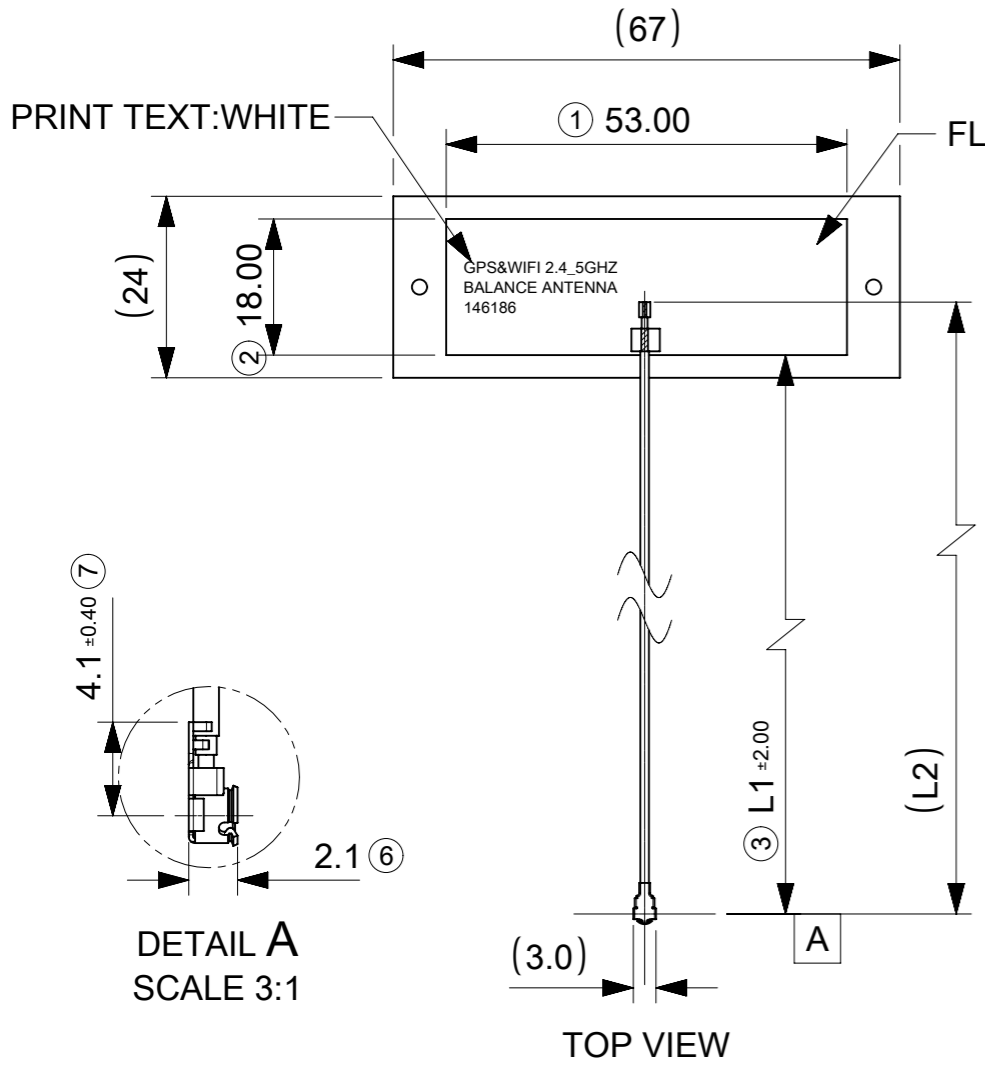


REV	DATE	DESCRIPTION
C	2017/09/22	N/A
D	2023/03/21	1.UPDATE PRINT TEXT 2.DRAWING CONTENT UPDATE



NOTE:
 1.FLEX: BLACK IN COLOR ;
 CONNECTOR:COMPATIBLE U.FL & MHF CONNECTOR(GOLD PLATING) ;
 CABLE:BLACK IN COLOR ;
 ADHESIVE:3M9077 (T:0.05MM).
 RELEASE PAPER:WHITE IN COLOR.
 2.CAN NOT LIFT UP CABLE IN VERTICAL DIRECTION.
 3.THE CONNECTOR WILL BE PROTECTED WITH A CAP.
 4.APPLICATION SPEC PLEASE REFER TO AS OF AS-146186-100.
 5.PRODUCT SPEC PLEASE REFER TO PS OF PS-146186-100.
 6.PACKAGING SPEC REFER TO PK OF PK-1461860100.

TABLE A			
ITEM	MOLEX P/N	"L1"LEHTH	"L2" LENTH
1	1461860050	43MM	50MM
2	1461860100	93MM	100MM
3	1461860150	143MM	150MM
4	1461860200	193MM	200MM
5	1461860250	243MM	250MM

FUNCTIONAL SYMBOLS	THIS DRAWING CONTAINS INFORMATION THAT IS PROPRIETARY TO MOLEX ELECTRONIC TECHNOLOGIES, LLC AND SHOULD NOT BE USED WITHOUT WRITTEN PERMISSION	CURRENT REV DESC:		molex																										
	<table border="1"> <tr> <th>FUNCTIONAL SYMBOLS</th> <th>DIMENSION UNITS</th> <th>SCALE</th> </tr> <tr> <td>$\nabla_A = 0$</td> <td>mm</td> <td>1:1</td> </tr> <tr> <td>$\nabla_E = 0$</td> <td colspan="2">GENERAL TOLERANCES (UNLESS SPECIFIED)</td> </tr> <tr> <td>$\nabla_{E'} = 0$</td> <td colspan="2">ANGULAR TOL ± °</td> </tr> <tr> <td></td> <td>4 PLACES</td> <td>±</td> </tr> <tr> <td></td> <td>3 PLACES</td> <td>± 0.1</td> </tr> <tr> <td></td> <td>2 PLACES</td> <td>± 0.15</td> </tr> <tr> <td></td> <td>1 PLACE</td> <td>± 0.2</td> </tr> <tr> <td></td> <td>0 PLACES</td> <td>± 0.5</td> </tr> </table>	FUNCTIONAL SYMBOLS	DIMENSION UNITS		SCALE	$\nabla_A = 0$	mm	1:1	$\nabla_E = 0$	GENERAL TOLERANCES (UNLESS SPECIFIED)		$\nabla_{E'} = 0$	ANGULAR TOL ± °			4 PLACES	±		3 PLACES	± 0.1		2 PLACES	± 0.15		1 PLACE	± 0.2		0 PLACES	± 0.5	EC NO: 742894 DRWN: KCHENG06 CHK'D: HORACM1 APPR: HORACM1 INITIAL REVISION: DRWN: KCHENG06 APPR: HORACM1
FUNCTIONAL SYMBOLS	DIMENSION UNITS	SCALE																												
$\nabla_A = 0$	mm	1:1																												
$\nabla_E = 0$	GENERAL TOLERANCES (UNLESS SPECIFIED)																													
$\nabla_{E'} = 0$	ANGULAR TOL ± °																													
	4 PLACES	±																												
	3 PLACES	± 0.1																												
	2 PLACES	± 0.15																												
	1 PLACE	± 0.2																												
	0 PLACES	± 0.5																												
DIVISIONAL SYMBOLS	THIRD ANGLE PROJECTION		DRAWING	SERIES	MATERIAL NUMBER	CUSTOMER	DOCUMENT NUMBER	DOC TYPE	DOC PART	REVISION																				
			A3-SIZE	146186	SEE TABLE A	GENERAL MARKET	1461860050	PSD	000	D																				
DRAFT WHERE APPLICABLE MUST REMAIN WITHIN DIMENSIONS										SHEET NUMBER																				
										1 OF 1																				