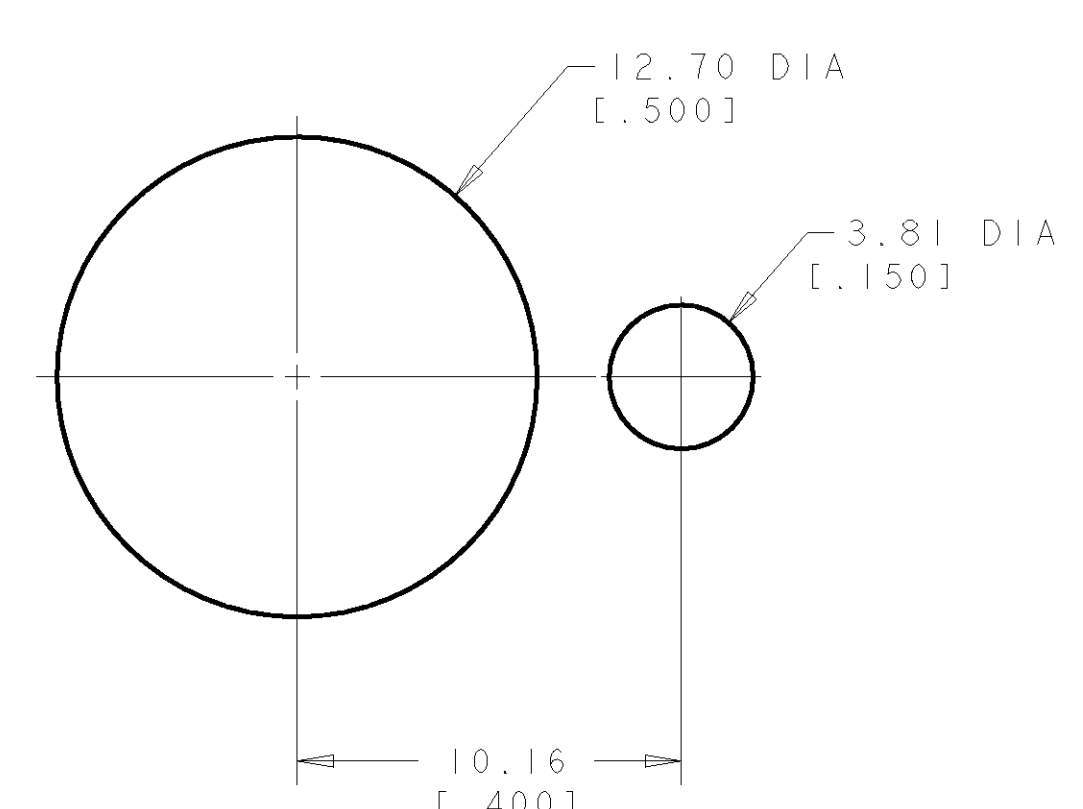
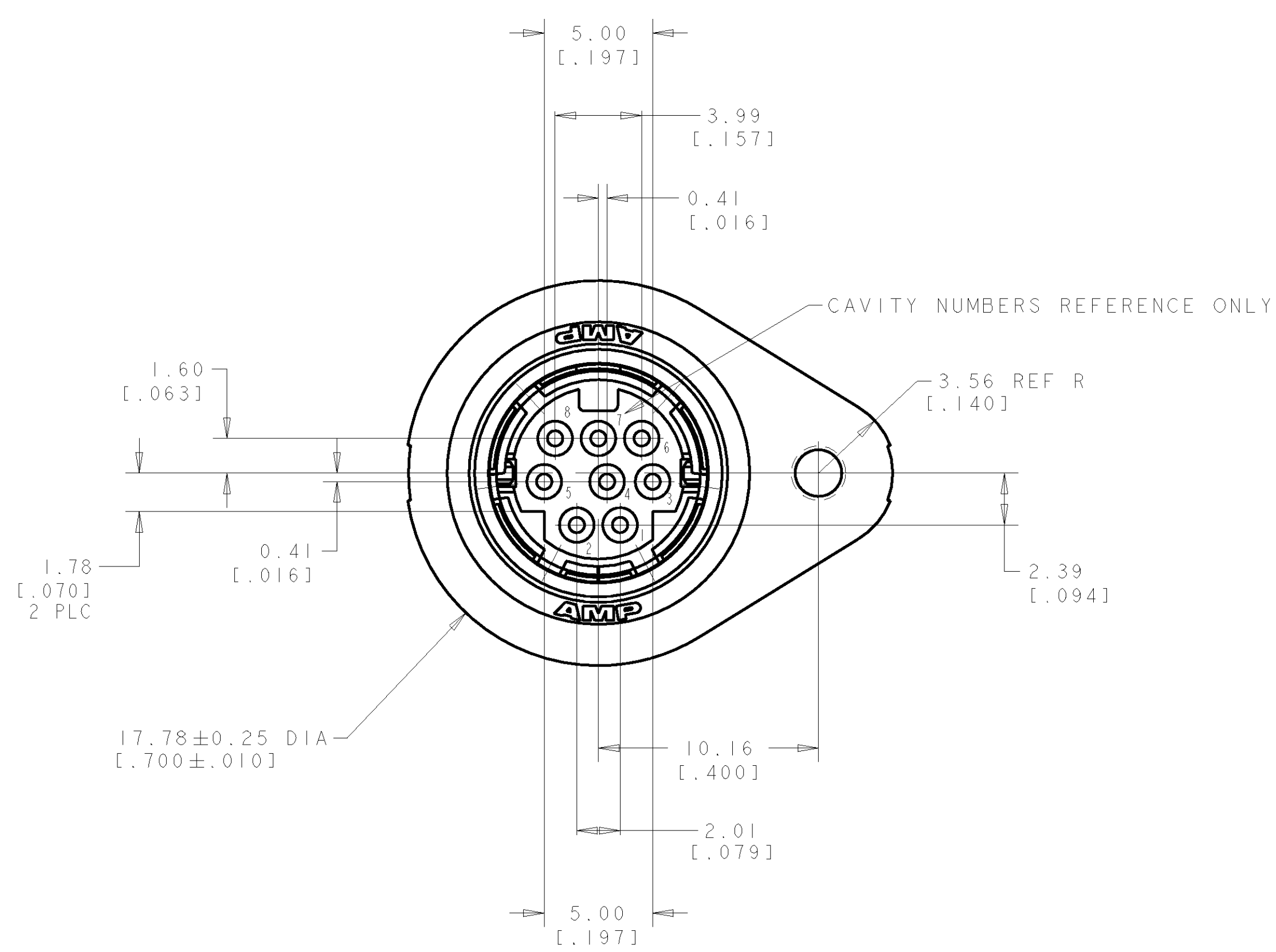
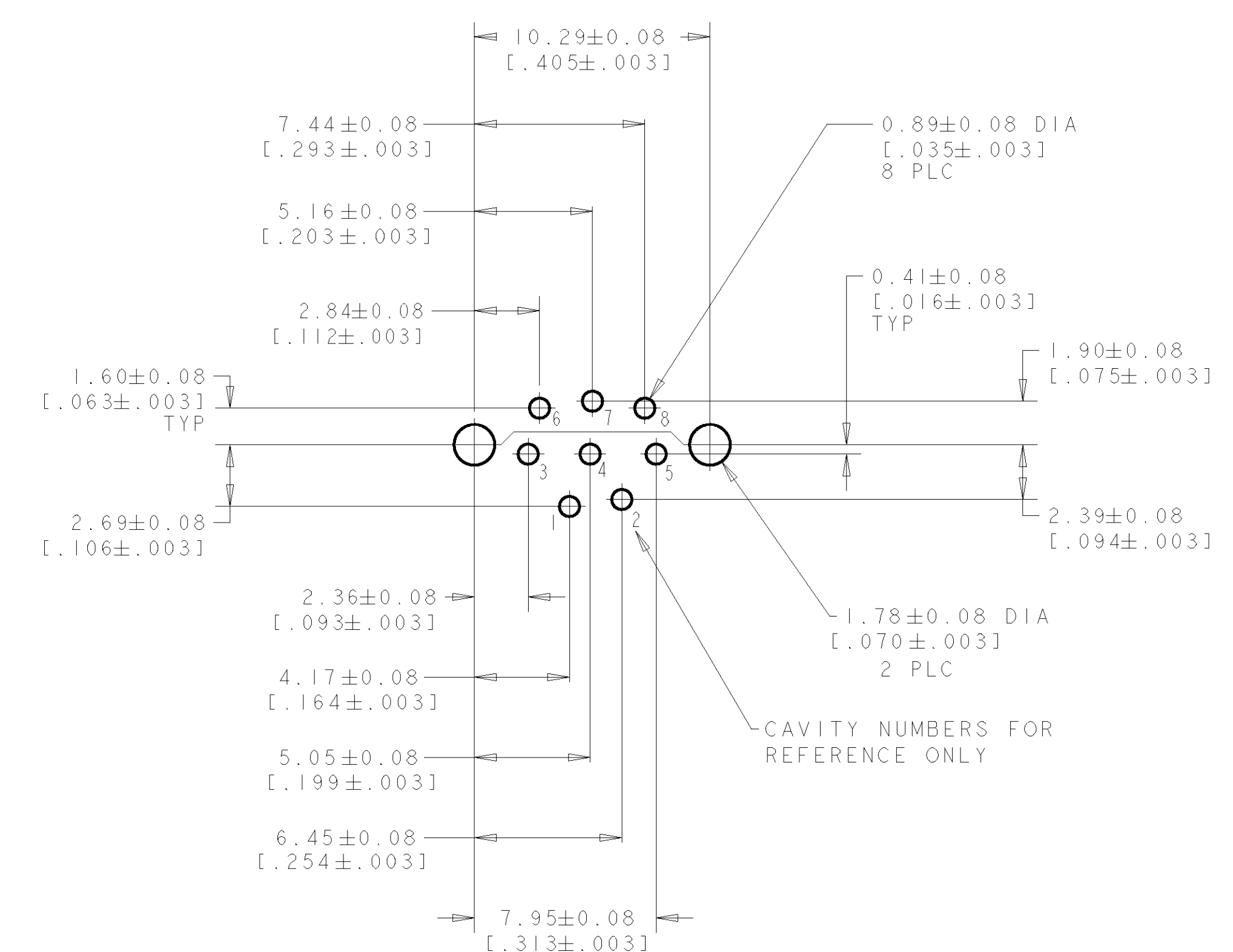
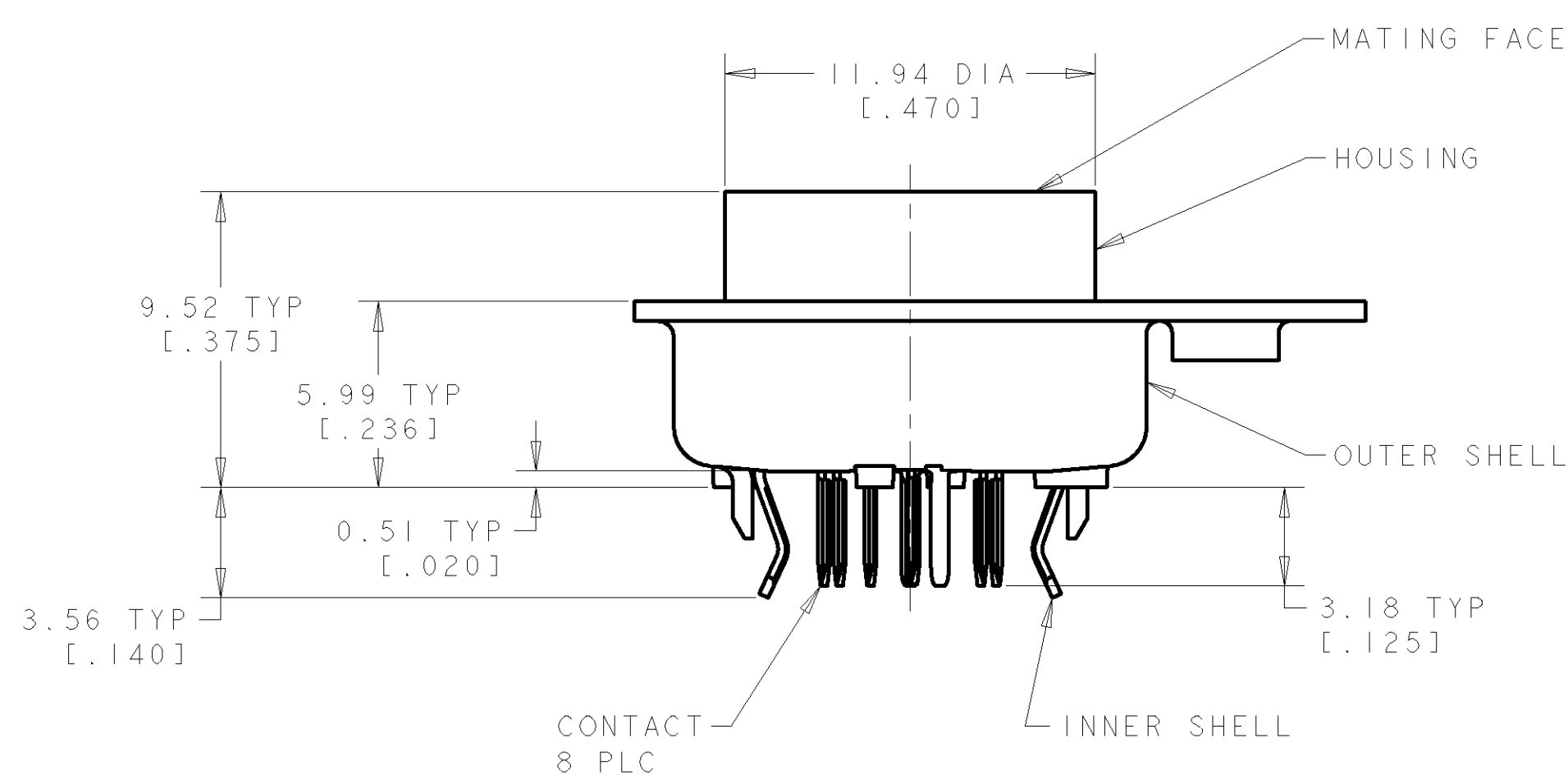


LOC		REVISONS	
NO	DATE	DESCRIPTION	BY
0	31AUG2004	NPR FP00-0216-04	LWY

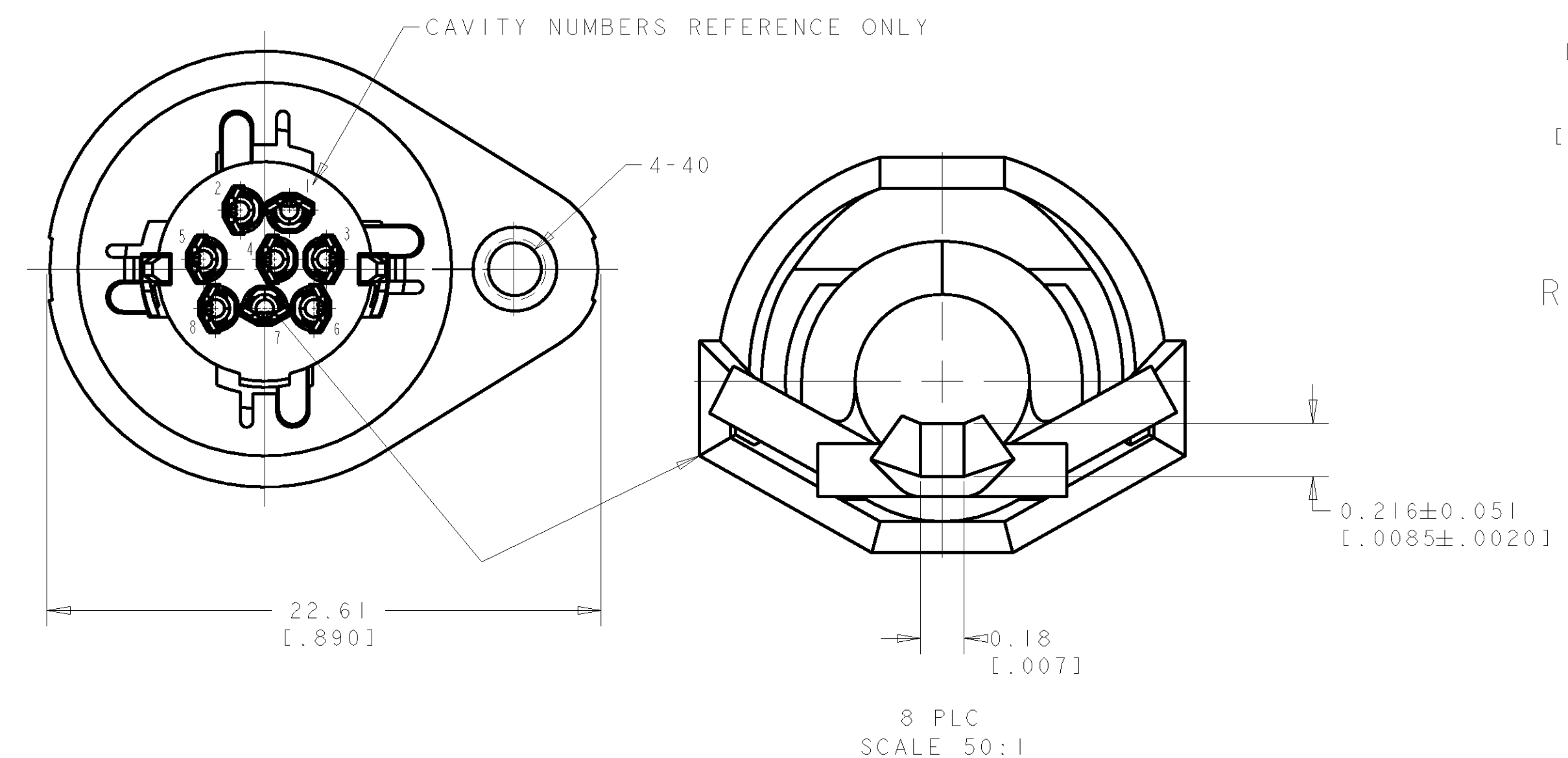


RECOMMENDED PANEL CUT-OUT

- 1. SHELLS: BRASS; CONTACTS: PHOSPHOR BRONZE; HOUSING: POLYESTER, UL 94V-0 RATED, BLACK.
- 2. 0.76 μm [.000030] MIN GOLD ON MATING END FOR A LENGTH OF 1.37 [.054] MIN ON INSIDE, 2.54 μm [.000100] MIN TIN FOR A LENGTH OF 3.30 [.130] MIN FROM OPPOSITE END, ALL OVER 1.27 μm [.000050] MIN NICKEL.
- 3. 0.38 μm [.000015] MIN GOLD ON MATING END FOR A LENGTH OF 1.37 [.054] MIN ON INSIDE, 2.54 μm [.000100] MIN TIN FOR A LENGTH OF 3.30 [.130] MIN FROM OPPOSITE END, ALL OVER 1.27 μm [.000050] MIN NICKEL.
- 4. RECEPTACLE ASSEMBLY MATES WITH 8 PIN, 8.99±0.10 [.354±.004] DIAMETER PLUG.



RECOMMENDED PC BOARD LAYOUT
BOTTOM VIEW



CONTACT FINISH	5750340-2
	5750340-1
PART NO	

<small>THIS DRAWING IS A CONTROLLED DOCUMENT FOR AMP INCORPORATED. ALL CHANGES MUST BE APPROVED BY THE ORIGINAL DESIGNING ORGANIZATION. CHANGES SHOULD BE CONTACTED FOR THE LATEST REVISION.</small>		DWN: WYLEE CDR: SF LEONG APD: SF LEONG PRODUCT SPEC: - APPLICATION SPEC: - WEIGHT: - CUSTOMER DRAWING: -	31AUG2004 NAME: RECEPTACLE ASSEMBLY, 8 POSN, LOW FLANGE, SHIELDED, VERTICAL, MINATURE CIRCULAR DIN SIZE: A1 CAGE CODE: 00779 DRAWING NO: 5750340 SCALE: 5:1 SHEET: 1 of 1 REV: 0
--	--	--	---