

AC '97 Rev 2 Multi-Channel Audio Codec with Sample Rate Conversion and National 3D Sound

General Description

The LM4546A is an audio codec for PC systems which is fully PC98 compliant and performs the analog intensive functions of the AC '97 Rev 2 architecture. Using 18-bit Sigma-Delta ADCs and DACs, the LM4546A provides 90 dB of Dynamic Range.

The LM4546A was designed specifically to provide a high quality audio path and provide all analog functionality in a PC audio system. It features full duplex stereo ADCs and DACs and analog mixers with access to 2 stereo and 2 mono inputs. Each mixer input has separate gain, attenuation and mute control and the mixers drive 1 mono and 1 stereo output, each with attenuation and mute control. The LM4546A supports National's 3D Sound stereo enhancement and a comprehensive sample rate conversion capability. The sample rate for the ADCs and DACs can be programmed separately with a resolution of 1 Hz to convert any rate in the range 4 kHz – 48 kHz. Sample timing from the ADCs and sample request timing for the DACs are completely deterministic to ease task scheduling and application software development. These features together with an extended temperature range also make the LM4546A suitable for non-PC codec applications.

The LM4546A features the ability to connect several codecs together using the Extended AC Link configuration of one dedicated serial data signal to the Controller per codec. LM4546A systems support up to 8 simultaneous channels of streaming data on Input Frames (Codec to Controller) while Output Frames (Controller to Codec) carry 2 streams to multiple codecs. The LM4546A may also be used in systems with the National LM4550 to support up to 6 simultaneous channels of streaming data on Output Frames.

The AC '97 architecture separates the analog and digital functions of the PC audio system allowing both for system design flexibility and increased performance.

Key Specifications

■ Analog Mixer Dynamic Range	97 dB (typ)
■ DAC Dynamic Range	89 dB (typ)
■ ADC Dynamic Range	90 dB (typ)

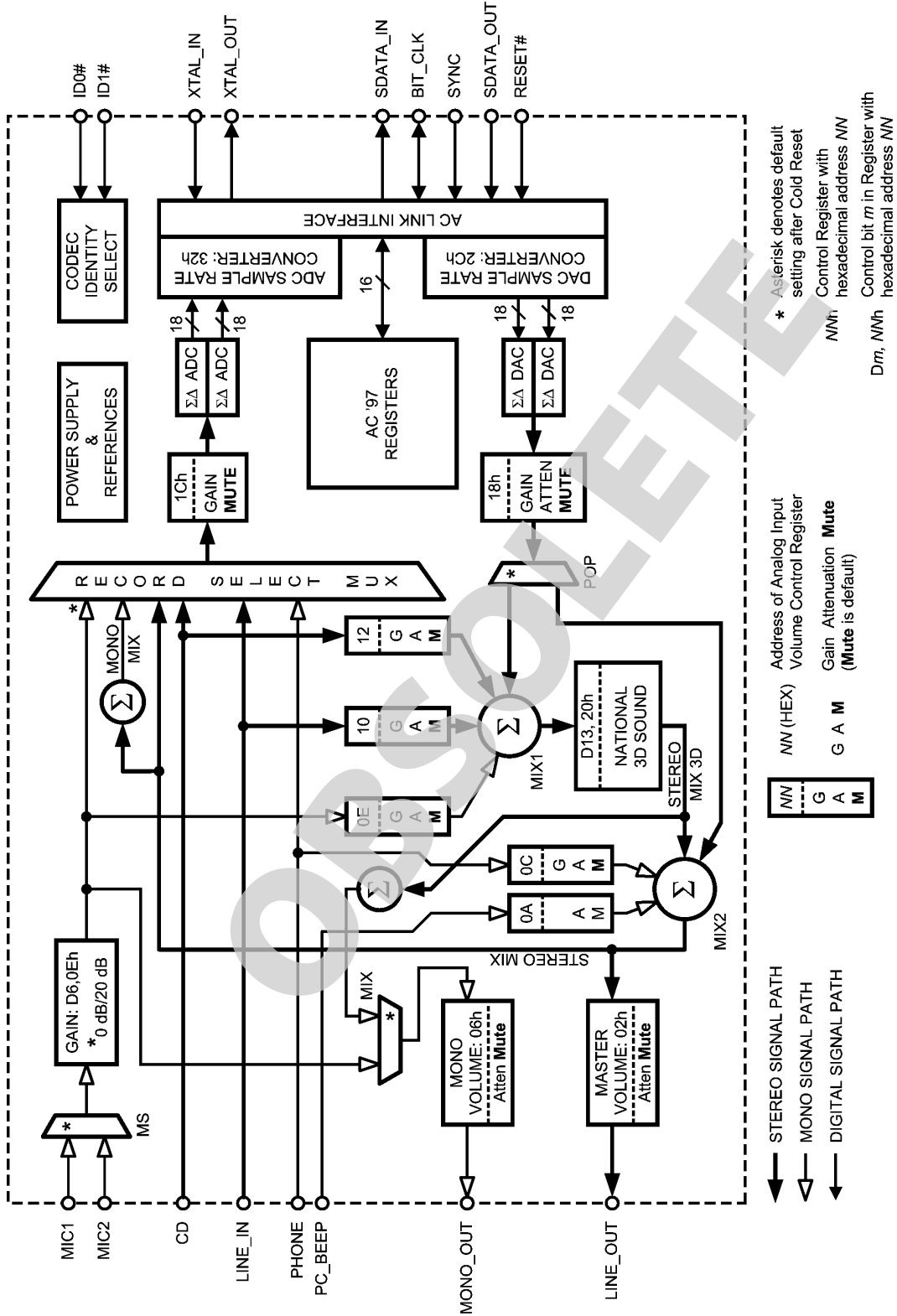
Features

- AC '97 Rev 2 compliant
- High quality Sample Rate Conversion from 4 kHz to 48 kHz in 1 Hz increments
- Multiple codec support
- National's 3D Sound stereo enhancement circuitry
- Advanced power management support
- Digital 3.3V and 5V supply options
- Extended Temperature: $-40^{\circ}\text{C} \leq T_A \leq 85^{\circ}\text{C}$

Applications

- Desktop PC audio systems on PCI cards, AMR cards, or with motherboard chips sets featuring AC Link
- Portable PC systems as on MDC cards, or with a chipset or accelerator featuring AC Link
- General and Multi-channel audio frequency systems

Block Diagram



20030801

Absolute Maximum Ratings (Note 1)

If Military/Aerospace specified devices are required, please contact the National Semiconductor Sales Office/Distributors for availability and specifications.

Supply Voltage	6.0V
Storage Temperature	-65°C to +150°C
Input Voltage	-0.3V to $V_{DD} + 0.3V$
ESD Susceptibility (Note 2) pin 3	2000V 750V
ESD Susceptibility (Note 3) pin 3	200V 100V
Junction Temperature	150°C

Soldering Information

LQFP Package	215°C
Vapor Phase (60 sec.)	220°C
Infrared (15 sec.)	74°C/W
θ_{JA} (typ) – VBH48A	

Operating Ratings

Temperature Range	$T_{MIN} \leq T_A \leq T_{MAX}$ (Note 4)	-40°C \leq T_A \leq 85°C
Analog Supply Range		4.2V \leq AV_{DD} \leq 5.5V
Digital Supply Range		3.0V \leq DV_{DD} \leq 5.5V

Electrical Characteristics

(Notes 1, 5) The following specifications apply for $AV_{DD} = 5V$, $DV_{DD} = 5V$, Sampling Frequency (F_s) = 48 kHz, single codec configuration, unless otherwise noted. Limits apply for $T_A = 25^\circ C$. The reference for 0 dB is 1 Vrms unless otherwise specified.

Symbol	Parameter	Conditions	LM4546A		Units (Limits)
			Typical (Note 6)	Limit (Note 7)	
AV_{DD}	Analog Supply Range			4.2	V (min)
				5.5	V (max)
DV_{DD}	Digital Supply Range			3.0	V (min)
				5.5	V (max)
D_{IDD}	Digital Quiescent Power Supply Current	$DV_{DD} = 5V$	43		mA
		$DV_{DD} = 3.3V$	20		mA
A_{IDD}	Analog Quiescent Power Supply Current		53		mA
I_{DSD}	Digital Shutdown Current		500		μA
I_{ASD}	Analog Shutdown Current		30		μA
V_{REF}	Reference Voltage		2.23		V
PSRR	Power Supply Rejection Ratio		40		dB
Analog Loophrough Mode (Note 8)					
	Dynamic Range (Note 9)	CD Input to Line Output, -60 dB Input THD +N, A-Weighted	97	90	dB (min)
THD	Total Harmonic Distortion	$V_O = -3$ dB, $f = 1$ kHz, $R_L = 10$ k Ω	0.01	0.02	% (max)
Analog Input Section					
V_{IN}	Line Input Voltage	LINE_IN, AUX, CD, VIDEO, PC_BEEP, PHONE	1		Vrms
V_{IN}	Mic Input with 20 dB Gain		0.1		Vrms
V_{IN}	Mic Input with 0 dB Gain		1		Vrms
Xtalk	Crosstalk	CD Left to Right	-95		dB
Z_{IN}	Input Impedance (Note 9)	All Analog Inputs	40	10	k Ω (min)
C_{IN}	Input Capacitance		15		pF
	Interchannel Gain Mismatch	CD Left to Right	0.01		dB
Record Gain Amplifier - ADC					
A_S	Step Size	0 dB to 22.5 dB	1.5		dB
A_M	Mute Attenuation (Note 9)		86		dB
Mixer Section					
A_S	Step Size	+12 dB to -34.5 dB	1.5		dB
A_M	Mute Attenuation		86		dB

Symbol	Parameter	Conditions	LM4546A		Units (Limits)
			Typical (Note 6)	Limit (Note 7)	
Analog to Digital Converters					
	Resolution		18		Bits
	Dynamic Range (Note 9)	-60 dB Input THD+N, A-Weighted	90	86	dB (min)
	Frequency Response	-1 dB Bandwidth	20		kHz
Digital to Analog Converters					
	Resolution		18		Bits
	Dynamic Range (Note 9)	-60 dB Input THD+N, A-Weighted	89	85	dB (min)
THD	Total Harmonic Distortion	$V_{IN} = -3$ dB, $f = 1$ kHz, $R_L = 10$ k Ω	0.01		%
	Frequency Response		20 - 21 k		Hz
	Group Delay (Note 9)			2	ms (max)
	Out of Band Energy (Note 10)		-40		dB
	Stop Band Rejection		70		dB
D_T	Discrete Tones		-96		dB
Analog Output Section					
A_S	Step Size	0 dB to -46.5 dB	1.5		dB
A_M	Mute Attenuation		86		dB
Z_{OUT}	Output Impedance (Note 9)	All Analog Outputs	TBD		Ω
Digital I/O (Note 9)					
V_{IH}	High level input voltage			$0.40 \times DV_{DD}$	V (min)
V_{IL}	Low level input voltage			$0.30 \times DV_{DD}$	V (max)
V_{OH}	High level output voltage			$0.50 \times DV_{DD}$	V (min)
V_{OL}	Low level output voltage			$0.20 \times DV_{DD}$	V (max)
I_L	Input Leakage Current	AC Link inputs		± 10	μ A
I_L	Tri state Leakage Current	High impedance AC Link outputs		± 10	μ A
I_{DR}	Output drive current	AC Link outputs	5		mA
Digital Timing Specifications (Note 9)					
F_{BC}	BIT_CLK frequency		12.288		MHz
T_{BCP}	BIT_CLK period		81.4		ns
T_{CH}	BIT_CLK high	Variation of BIT_CLK duty cycle from 50%		± 20	% (max)
F_{SYNC}	SYNC frequency		48		kHz
T_{SP}	SYNC period		20.8		μ s
T_{SH}	SYNC high pulse width		1.3		μ s
T_{SL}	SYNC low pulse width		19.5		μ s
T_{DSETUP}	Setup Time for codec data input	SDATA_OUT to falling edge of BIT_CLK		15	ns (min)
T_{DHOLD}	Hold Time for codec data input	Hold time of SDATA_OUT from falling edge of BIT_CLK		5	ns (min)
T_{SSETUP}	Setup Time for codec SYNC input	SYNC to rising edge of BIT_CLK		TBD	ns (min)
T_{SHOLD}	Hold Time for codec SYNC input	Hold time of SYNC from rising edge of BIT_CLK		TBD	ns (min)
T_{CO}	Output Valid Delay	Output Delay of SDATA_IN from rising edge of BIT_CLK	TBD	15	ns (max)
T_{RISE}	Rise Time	BIT_CLK, SYNC, SDATA_IN or SDATA_OUT		6	ns (max)

Symbol	Parameter	Conditions	LM4546A		Units (Limits)
			Typical (Note 6)	Limit (Note 7)	
T_{FALL}	Fall Time	BIT_CLK, SYNC, SDATA_IN or SDATA_OUT		6	ns (max)
T_{RST_LOW}	RESET# active low pulse width	For Cold Reset		1.0	μ s (min)
$T_{RST2CLK}$	RESET# inactive to BIT_CLK start up	For Cold Reset	TBD	162.8	ns (min)
T_{SH}	SYNC active high pulse width	For Warm Reset	1.3	TBD	μ s (min)
$T_{SYNC2CLK}$	SYNC inactive to BIT_CLK start up	For Warm Reset	TBD	162.8	ns (min)
T_{S2_PDOWN}	AC Link Power Down Delay	Delay from end of Slot 2 to BIT_CLK, SDATA_IN low		1	μ s (max)
$T_{SUPPLY2RST}$	Power On Reset	Time from minimum valid supply levels to end of Reset		1	μ s (min)
T_{SU2RST}	Setup to trailing edge of RESET#	For ATE Test Mode		15	ns (min)
T_{RST2HZ}	Rising edge of RESET# to Hi-Z	For ATE Test Mode		25	ns (max)

Note 1: Absolute Maximum Ratings indicate limits beyond which damage to the device may occur. Operating Ratings indicate conditions for which the device is functional, but do not guarantee specific performance limits. Electrical Characteristics state DC and AC electrical specifications under particular test conditions which guarantee specific performance limits. This assumes that the device is within the Operating Ratings. Specifications are not guaranteed for parameters where no limit is given, however, the typical value is a good indication of device performance.

Note 2: Human body model, 100 pF discharged through a 1.5 k Ω resistor.

Note 3: Machine Model, 220 pF – 240 pF discharged through all pins.

Note 4: The maximum power dissipation must be derated at elevated temperatures and is dictated by T_{JMAX} , θ_{JA} , and the ambient temperature T_A . The maximum allowable power dissipation is $P_{DMAX} = (T_{JMAX} - T_A) / \theta_{JA}$ or the number given in Absolute Maximum Ratings, whichever is lower. For the LM4546A, $T_{JMAX} = 150^\circ$ C. The typical junction-to-ambient thermal resistance is 74 $^\circ$ C/W for package number VBH48A.

Note 5: All voltages are measured with respect to the ground pin, unless otherwise specified.

Note 6: Typicals are measured at 25 $^\circ$ C and represent the parametric norm.

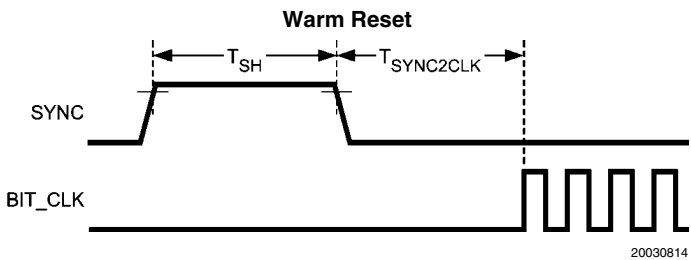
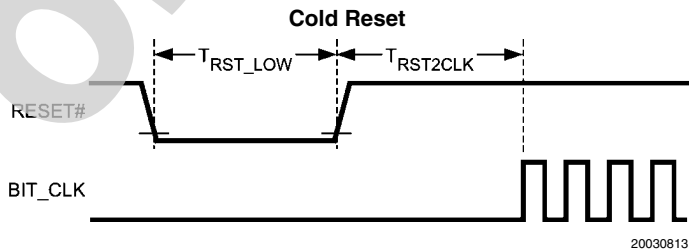
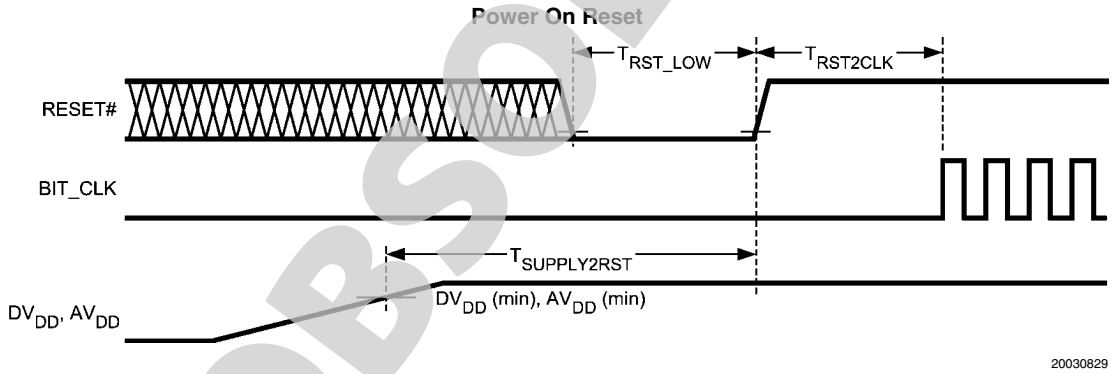
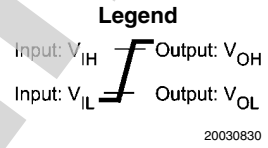
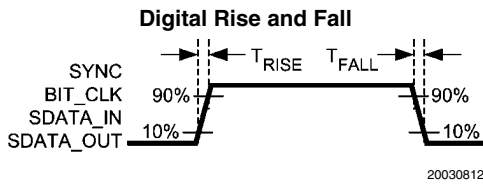
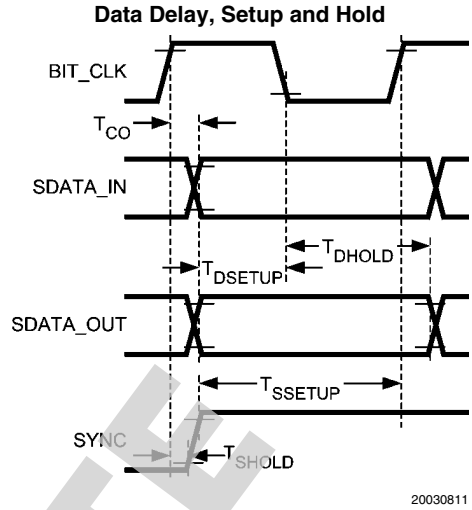
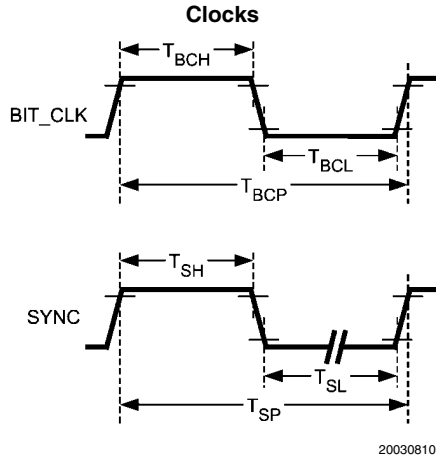
Note 7: Limits are guaranteed to National's AOQL (Average Outgoing Quality Level).

Note 8: Loophrough mode describes a path from an analog input through the analog mixers to an analog output.

Note 9: These specifications are guaranteed by design and characterization; they are not production tested.

Note 10: Out of band energy is measured from 28.8 kHz to 100 kHz relative to a 1 Vrms DAC output.

Timing Diagrams



Typical Application

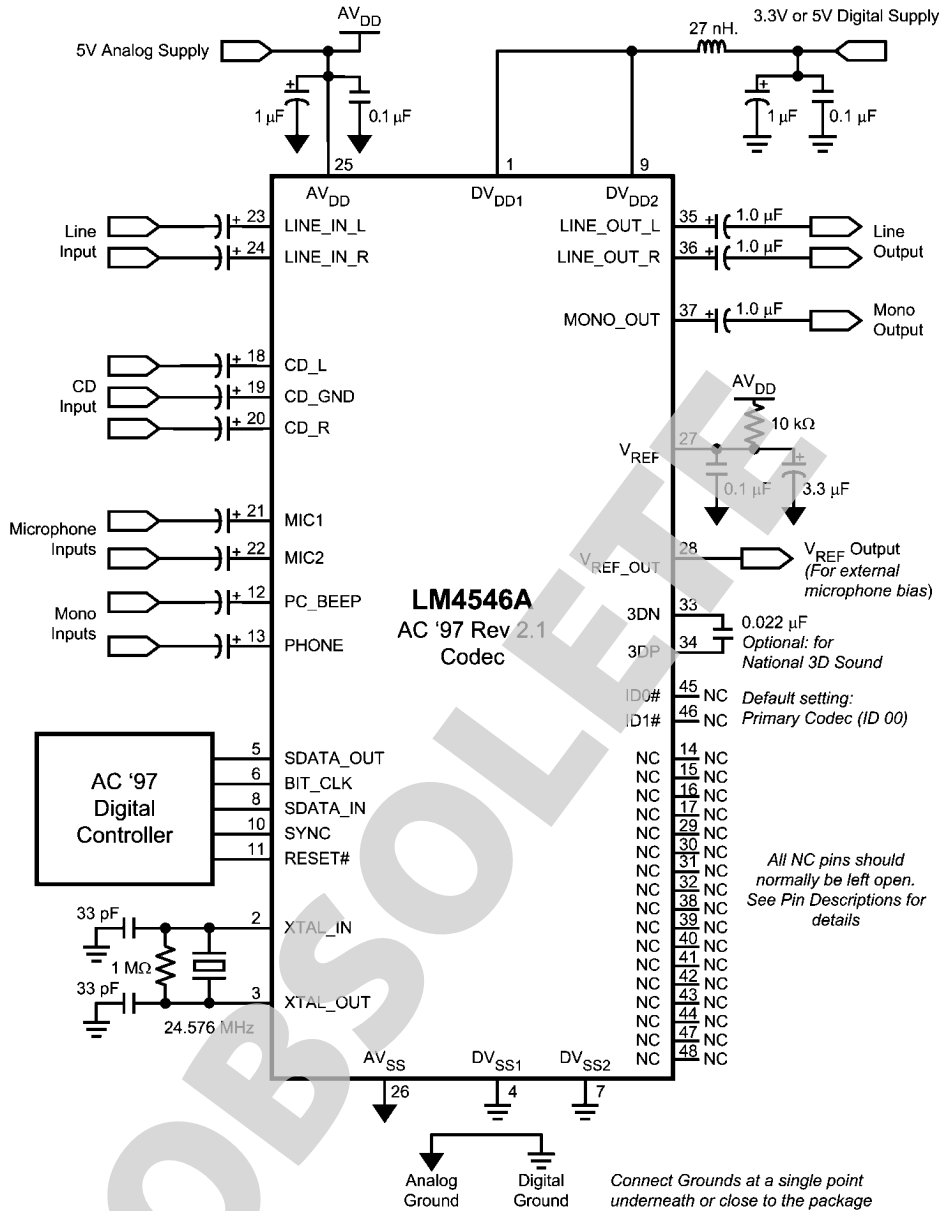
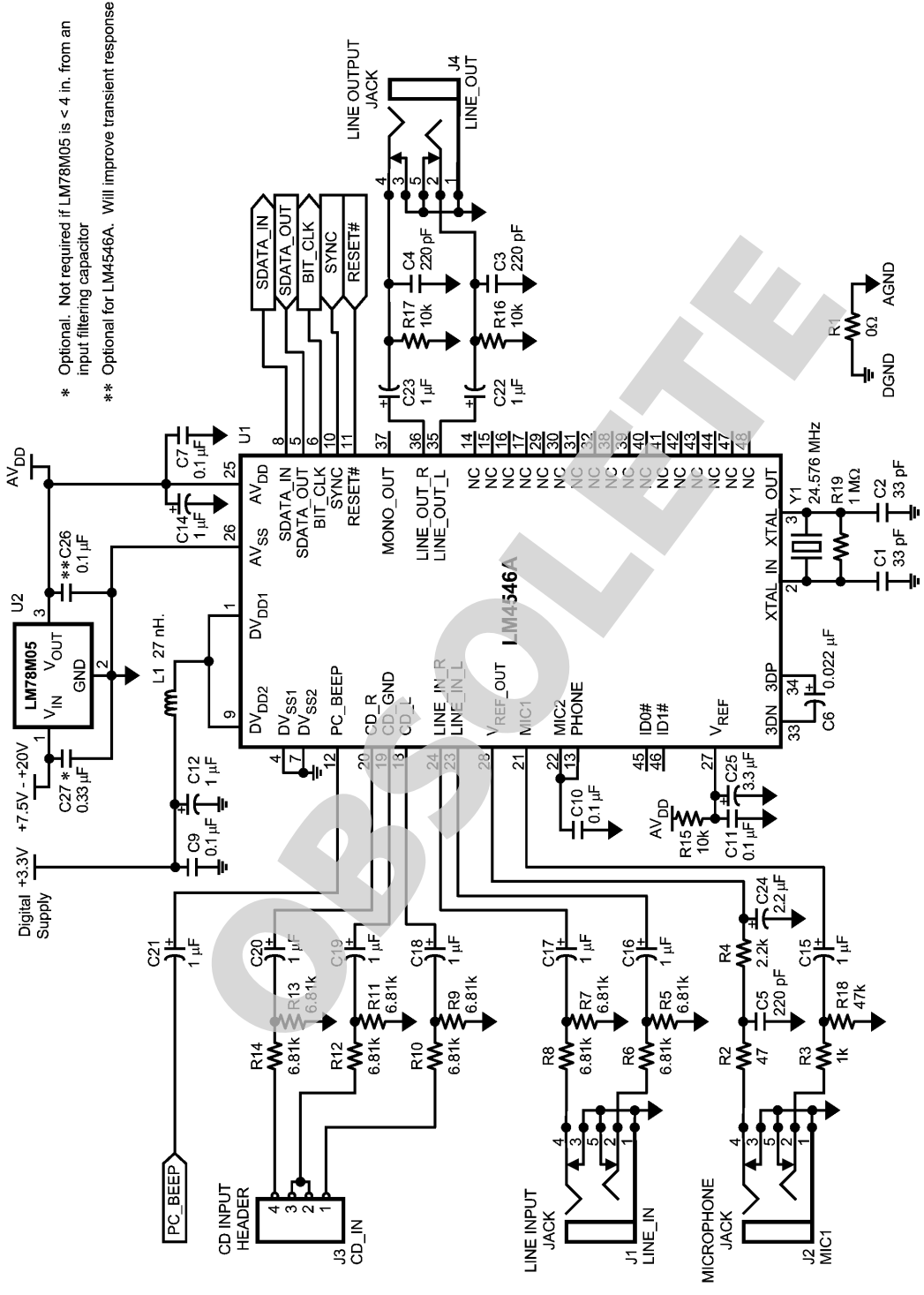


FIGURE 1. LM4546A Typical Application Circuit, Single Codec, 1 Vrms inputs

APPLICATION HINTS

- The LM4546A must be initialized by using RESET# to perform a Power-On-Reset as shown in the Power On Reset Timing Diagram
- V_{REF} must be pulled high to AV_{DD} with a 10 kΩ resistor to ensure correct operation
- Don't leave unused analog inputs floating. Tie all unused inputs together and connect to Analog Ground through a capacitor (e.g. 0.1 μF)
- Do not leave CD_GND floating when using the CD stereo input. CD_GND is the AC signal reference for the CD channels and should be connected to the CD source ground (Analog Ground may also be acceptable) through a 1 μF capacitor
- If using a non-standard AC Link controller take care to keep the SYNC and SDATA_IN signals low during Cold Reset to avoid entering the ATE or Vendor test modes by mistake
- The PC_Beep input should be explicitly muted if not used since it defaults to 0 dB gain on reset, unlike the mute default of the other analog inputs

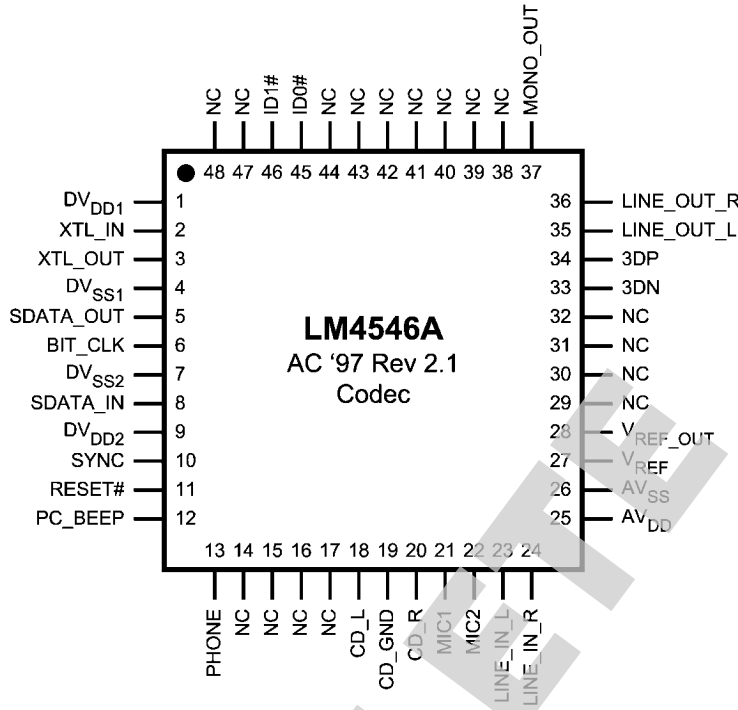


* Optional. Not required if LM78M05 is < 4 in. from an input filtering capacitor
 ** Optional for LM4546A. Will improve transient response

20030825

FIGURE 2. LM4546A Reference Design, Typical Application, Single Codec, 1 Vrms and 2 Vrms inputs, EMC output filters

Connection Diagram



Top View
 Order Number **LM4546AVH**
 See NS Package Number **VBH48A**

20030802

Pin Descriptions

ANALOG I/O

Name	Pin	I/O	Functional Description
PC_BEEP	12	I	Mono Input This line level (1 Vrms nominal) mono input is mixed equally into both channels of the Stereo Mix signal at MIX2 under the control of the PC_Beep Volume control register, 0Ah. The PC_BEEP level can be muted or adjusted from 0 dB to -45 dB in 3 dB steps. The Stereo Mix signal feeds both the Line Out and Line Level Out analog outputs and is also selectable at the Record Select Mux.
PHONE	13	I	Mono Input This line level (1 Vrms nominal) mono input is mixed equally into both channels of the Stereo Mix signal at MIX2 under the control of the Phone Volume register, 0Ch. The PHONE level can be muted or adjusted from +12 dB to -34.5 dB in 1.5 dB steps. The Stereo Mix signal feeds both the Line Out and Line Level Out analog stereo outputs and is also selectable at the Record Select Mux.
CD_L	18	I	Left Stereo Channel Input This line level input (1 Vrms nominal) is selectable at the left channel of the stereo Input Mux for conversion by the left channel ADC. It can also be mixed into the left channel of the Stereo Mix 3D signal at MIX1 under the control of the CD Volume register, 12h. The CD_L level can be muted (along with CD_R) or adjusted from +12 dB to -34.5 dB in 1.5 dB steps. Stereo Mix 3D is mixed into the Stereo Mix signal at MIX2 for access to the stereo outputs Line Out and Line Level Out.
CD_GND	19	I	AC Ground Reference This input is the reference for the signals on both CD_L and CD_R. CD_GND is NOT a DC ground and should be AC-coupled to the stereo source ground common to both CD_L and CD_R. The three inputs CD_GND, CD_L and CD_R act together as a quasi-differential stereo input with CD_GND providing AC common-mode feedback to reject ground noise. This can improve the input SNR for a stereo source with a good common ground but precision resistors may be needed in any external attenuators to achieve the necessary balance between the two channels.

Name	Pin	I/O	Functional Description
CD_R	20	I	<p>Right Stereo Channel Input</p> <p>This line level input (1 Vrms nominal) is selectable at the right channel of the stereo Input Mux for conversion by the right channel ADC. It can also be mixed into the right channel of the Stereo Mix 3D signal at MIX1 under the control of the CD Volume register, 12h. The CD_R level can be muted (along with CD_L) or adjusted from +12 dB to -34.5 dB in 1.5 dB steps. Stereo Mix 3D is combined into the Stereo Mix signal at MIX2 for access to the stereo outputs Line Out and Line Level Out.</p>
MIC1	21	I	<p>Mono microphone input</p> <p>Either MIC1 or MIC2 can be muxed to a programmable boost amplifier with selection by the MS bit (bit D8) in the General Purpose register, 20h. The boost amplifier gain (0 dB or 20 dB) is set by the 20dB bit (D6) in the Mic Volume register, 0Eh. Nominal input levels at the two gain settings are 1 Vrms and 0.1 Vrms respectively. The amplifier output is selectable (Record Select register, 1Ah) by either the right or left channels of the Record Select Mux for conversion on either or both channels of the stereo ADCs. The amplifier output can also be accessed at the stereo mixer MIX1 (muting and mixing adjustments via Mic Volume register, 0Eh) where it is mixed equally into both left and right channels of Stereo Mix 3D for access to the stereo outputs Line Out and Line Level Out. Access to the Mono analog output is selected by a mux controlled by the MIX bit (D9) in General Purpose register, 20h.</p>
MIC2	22	I	<p>Mono microphone input</p> <p>Either MIC1 or MIC2 can be muxed to a programmable boost amplifier with selection by the MS bit (bit D8) in the General Purpose register, 20h. The boost amplifier gain (0 dB or 20 dB) is set by the 20dB bit (D6) in the Mic Volume register, 0Eh. Nominal input levels at the two gain settings are 1 Vrms and 0.1 Vrms respectively. The amplifier output is selectable (Record Select register, 1Ah) by either the right or left channels of the Record Select Mux for conversion on either or both channels of the stereo ADCs. The amplifier output can also be accessed at the stereo mixer MIX1 (muting and mixing adjustments via Mic Volume register, 0Eh) where it is mixed equally into both left and right channels of Stereo Mix 3D for access to the stereo outputs Line Out and Line Level Out. Access to the Mono analog output is selected by a mux controlled by the MIX bit (D9) in General Purpose register, 20h.</p>
LINE_IN_L	23	I	<p>Left Stereo Channel Input</p> <p>This line level input (1 Vrms nominal) is selectable at the left channel of the stereo Record Select Mux for conversion by the left channel ADC. It can also be mixed into the left channel of the Stereo Mix 3D signal at MIX1 under the control of the Line In Volume register, 10h. The LINE_IN_L level can be muted (along with LINE_IN_R) or adjusted from +12 dB to -34.5 dB in 1.5 dB steps. Stereo Mix 3D is combined into the Stereo Mix signal at MIX2 for access to the stereo outputs Line Out and Line Level Out.</p>
LINE_IN_R	24	I	<p>Right Stereo Channel Input</p> <p>This line level input (1 Vrms nominal) is selectable at the right channel of the stereo Input Mux for conversion by the right channel ADC. It can also be mixed into the right channel of the Stereo Mix 3D signal at MIX1 under the control of the Line In Volume register, 10h. The LINE_IN_R level can be muted (along with LINE_IN_L) or adjusted from +12 dB to -34.5 dB in 1.5 dB steps. Stereo Mix 3D is combined into the Stereo Mix signal at MIX2 for access to the stereo outputs Line Out and Line Level Out.</p>
LINE_OUT_L	35	O	<p>Left Stereo Channel Output</p> <p>This line level output (1 Vrms nominal) is fed from the left channel of the Stereo Mix signal from MIX2 via the Master Volume register, 02h. The LINE_OUT_L amplitude can be muted (along with LINE_OUT_R) or adjusted from 0 dB to -46.5 dB in 1.5 dB steps.</p>

Name	Pin	I / O	Functional Description
LINE_OUT_R	36	O	Right Stereo Channel Output This line level output (1 Vrms nominal) is fed from the right channel of the Stereo Mix signal from MIX2 via the Master Volume register, 02h. The LINE_OUT_R amplitude can be muted (along with LINE_OUT_L) or adjusted from 0 dB to -46.5 dB in 1.5 dB steps.
MONO_OUT	37	O	Mono Output This mono line level output (1 Vrms nominal) is fed from either a microphone input (MIC1 or MIC2, after boost amplifier) or from the mono sum of the left and right Stereo Mix 3D channels from MIX1. The optional National 3D Sound enhancement can be disabled (default) by the 3D bit (bit D13) in the General Purpose register, 20h. Choice of input is by the MIX bit (D9) in the same register. MIX=0 selects a microphone input. Output level can be muted or adjusted from 0 dB to -46.5 dB in 1.5 dB steps via the Mono Volume register, 06h.

DIGITAL I/O AND CLOCKING

Name	Pin	I / O	Functional Description
XTL_IN	2	I	24.576 MHz crystal or oscillator input To complete the oscillator circuit use a fundamental mode crystal operating in parallel resonance and connect a 1M Ω resistor across pins 2 and 3. Choose the load capacitors (Figure 2, C1, C2) to suit the load capacitance required by the crystal (e.g. C1 = C2 = 33 pF for a 20 pF crystal Assumes that each 'Input + trace' capacitance = 7 pF). This pin may also be used as the input for an external oscillator (24.576 MHz nominal) at standard logic levels (V_{IH} , V_{IL}). This pin is only used when the codec is in Primary mode. It may be left open (NC) for any Secondary mode.
XTL_OUT	3	O	24.576 MHz crystal output Used with XTAL_IN to configure a crystal oscillator. When the codec is used with an external oscillator this pin should be left open (NC). When the codec is configured in a Secondary mode this pin is not used and may be left open (NC).
SDATA_OUT	5	I	Input to codec This is the input for AC Link Output Frames from an AC '97 Digital Audio Controller to the LM4546A codec. These frames can contain both control data and DAC PCM audio data. This input is sampled by the LM4546A on the falling edge of BIT_CLK.
BIT_CLK	6	I/O	AC Link clock An OUTPUT when in Primary Codec mode. This pin provides a 12.288 MHz clock for the AC Link. The clock is derived (internally divided by two) from the 24.576 MHz signal at the crystal input (XTL_IN). This pin is an INPUT when the codec is configured in any of the Secondary Codec modes and would normally use the AC Link clock generated by a Primary Codec.
SDATA_IN	8	O	Output from codec This is the output for AC Link Input Frames from the LM4546A codec to an AC '97 Digital Audio Controller. These frames can contain both codec status data and PCM audio data from the ADCs. The LM4546A clocks data from this output on the rising edge of BIT_CLK.
SYNC	10	I	AC Link frame marker and Warm Reset This input defines the boundaries of AC Link frames. Each frame lasts 256 periods of BIT_CLK. In normal operation SYNC is a 48 kHz positive pulse with a duty cycle of 6.25% (16/256). SYNC is sampled on the rising edge of BIT_CLK and the codec takes the first positive sample of SYNC as defining the start of a new AC Link frame. If a subsequent SYNC pulse occurs within 255 BIT_CLK periods of the frame start it will be ignored. SYNC is also used as an active high input to perform an (asynchronous) Warm Reset. Warm Reset is used to clear a power down state on the codec AC Link interface.

Name	Pin	I / O	Functional Description
RESET#	11	I	Cold Reset This active low signal causes a hardware reset which returns the control registers and all internal circuits to their default conditions. RESET# MUST be used to initialize the LM4546A after Power On when the supplies have stabilized. Cold Reset also clears the codec from both ATE and Vendor test modes. In addition, while active, it switches the PC_BEEP mono input directly to both channels of the LINE_OUT stereo output.
ID0#	45	I	Codec Identity ID1# and ID0# determine the Codec Identity for multiple codec use. The Codec Identity configures the codec in either Primary or one of three Secondary Codec modes. These Identity pins have the same polarity as the Codec Identity bits ID1, ID0 (bits D15, D14) in the read-only Extended Audio ID register, 28h. If the ID0# pin (pin 45) is connected to ground then the ID0 bit (D14, reg 28h) will be set to "1". Similarly, connection to DV _{DD} will set the ID0 bit to "0". If left open (NC), ID0# is pulled high by an internal pull-up resistor.
ID1#	46	I	Codec Identity ID1# and ID0# determine the codec address for multiple codec use. The Codec Identity configures the codec in either Primary or one of three Secondary Codec modes. These Identity pins have the same polarity as the Codec Identity bits ID1, ID0 (bits D15, D14) in the read-only Extended Audio ID register, 28h. If the ID1# pin (pin 46) is connected to ground then the ID1 bit (D15, reg 28h) will be set to "1". Similarly, connection to DV _{DD} will set the ID1 bit to "0". If left open (NC), ID1# is pulled high by an internal pull-up resistor.

POWER SUPPLIES AND REFERENCES

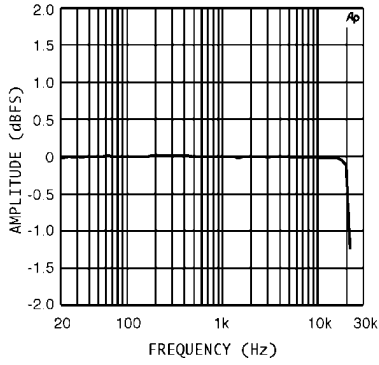
Name	Pin	I / O	Functional Description
AV _{DD}	25	I	Analog supply
AV _{SS}	26	I	Analog ground
DV _{DD1}	1	I	Digital supply
DV _{DD2}	9	I	Digital supply
DV _{SS1}	4	I	Digital ground
DV _{SS2}	7	I	Digital ground
V _{REF}	27	O	Nominal 2.2 V internal reference Not intended to sink or source current. Use short traces to bypass (3.3 μ F, 0.1 μ F) this pin to maximize codec performance. This pin must be tied to AV _{DD} with a 10 k Ω pull-up resistor.
V _{REF_OUT}	28	O	Nominal 2.2 V reference output Can source up to 5 mA of current and can be used to bias a microphone.

3D SOUND AND NO-CONNECTS (NC)

Name	Pin	I / O	Functional Description
3DP, 3DN	33,34	O	These pins are used to complete the National 3D Sound stereo enhancement circuit. Connect a 0.022 μ F capacitor between pins 3DP and 3DN. National 3D Sound can be turned on and off via the 3D bit (D13) in the General Purpose register, 20h. National 3D Sound uses a fixed-depth type stereo enhancement circuit hence the 3D Control register, 22h is read-only and is not programmable. If National 3D Sound is not needed, these pins should be left open (NC).
NC	14–17 29–32 38–44 47, 48	NC	These pins are not used and should be left open (NC). For second source applications these pins may be connected to a noise-free supply or ground (e.g. AV _{DD} or AV _{SS}), either directly or through a capacitor.

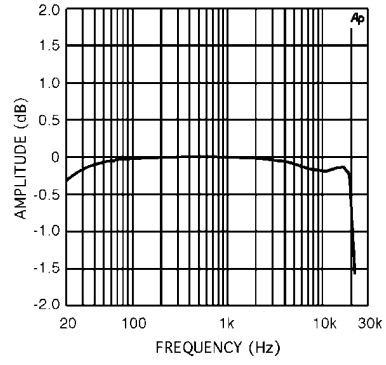
Typical Performance Characteristics

ADC Frequency Response



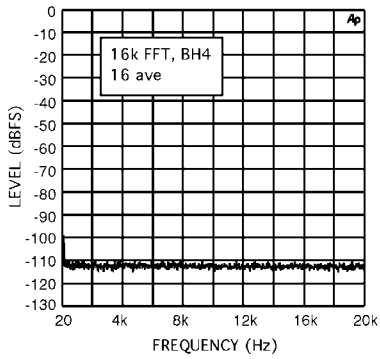
20030819

DAC Frequency Response



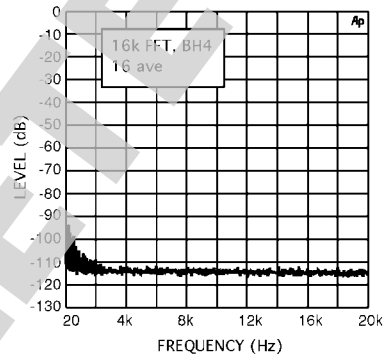
20030820

ADC Noise Floor



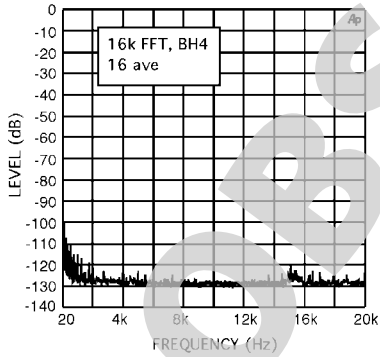
20030815

DAC Noise Floor



20030816

Line Out Noise Floor (Analog Loopthrough)



20030818

LM4546A Register Map

REG	Name	D15	D14	D13	D12	D11	D10	D9	D8	D7	D6	D5	D4	D3	D2	D1	D0	Default
00h	Reset	X	0	0	0	1	1	0	1	0	1	0	0	0	0	0	0	0D40h
02h	Master Volume	Mute	X	X	ML4	ML3	ML2	ML1	ML0	X	X	X	MR4	MR3	MR2	MR1	MR0	8000h
06h	Mono Volume	Mute	X	X	X	X	X	X	X	X	X	X	MM4	MM3	MM2	MM1	MM0	8000h
0Ah	PC_Beep Volume	Mute	X	X	X	X	X	X	X	X	X	X	PV3	PV2	PV1	PV0	X	0000h
0Ch	Phone Volume	Mute	X	X	X	X	X	X	X	X	X	X	GN4	GN3	GN2	GN1	GN0	8008h
0Eh	Mic Volume	Mute	X	X	X	X	X	X	X	X	20dB	X	GN4	GN3	GN2	GN1	GN0	8008h
10h	Line In Volume	Mute	X	X	GL4	GL3	GL2	GL1	GL0	X	X	X	GR4	GR3	GR2	GR1	GR0	8808h
12h	CD Volume	Mute	X	X	GL4	GL3	GL2	GL1	GL0	X	X	X	GR4	GR3	GR2	GR1	GR0	8808h
18h	PCM Out Volume	Mute	X	X	GL4	GL3	GL2	GL1	GL0	X	X	X	GR4	GR3	GR2	GR1	GR0	8808h
1Ah	Record Select	X	X	X	X	X	SL2	SL1	SL0	X	X	X	X	X	SR2	SR1	SR0	0000h
1Ch	Record Gain	Mute	X	X	X	GL3	GL2	GL1	GL0	X	X	X	X	GR3	GR2	GR1	GR0	8000h
20h	General Purpose	POP	X	3D	X	X	X	MIX	MS	LPBK	X	X	X	X	X	X	X	0000h
22h	3D Control (Read Only)	X	0	0	0	0	0	0	1	0	0	0	0	0	0	0	1	0101h
24h	Reserved	X	X	X	X	X	X	X	X	X	X	X	X	X	X	X	X	0000h
26h	Powerdown Control/Status	PR7	PR6	PR5	PR4	PR3	PR2	PR1	PR0	X	X	X	X	REF	ANL	DAC	ADC	000Xh
28h	Extended Audio ID	ID1	ID0	X	X	X	X	0	0	0	0	X	X	0	X	0	VRA	X001h
2Ah	Extended Audio Control/Status	X	X	X	X	X	X	X	X	X	X	X	X	X	X	X	VRA	0000h
2Ch	PCM DAC Rate	SR15	SR14	SR13	SR12	SR11	SR10	SR9	SR8	SR7	SR6	SR5	SR4	SR3	SR2	SR1	SR0	BB80h
32h	PCM ADC Rate	SR15	SR14	SR13	SR12	SR11	SR10	SR9	SR8	SR7	SR6	SR5	SR4	SR3	SR2	SR1	SR0	BB80h
5Ah	Vendor Reserved 1	X	X	X	X	X	X	X	X	X	X	X	X	X	X	X	X	0000h
74h	Vendor Reserved 2	X	X	X	X	X	X	X	X	X	X	X	X	X	X	X	X	0000h
7Ah	Vendor Reserved 3	X	X	X	X	X	X	X	X	X	X	X	X	X	X	X	X	0000h
7Ch	Vendor ID1	0	1	0	0	1	1	1	0	0	1	0	1	0	0	1	1	4E53h
7Eh	Vendor ID2	0	1	0	0	0	0	1	1	0	1	0	0	0	1	1	0	4346h

Functional Description

GENERAL

The LM4546A codec can mix, process and convert among analog (stereo and mono) and digital (AC Link format) inputs and outputs. There are two stereo and four mono analog inputs and one stereo and one mono analog outputs. A single codec supports data streaming on two input and two output channels of the AC Link digital interface simultaneously.

ADC INPUTS AND OUTPUTS

Both stereo analog inputs and three of the mono analog inputs can be selected for conversion by the 18-bit stereo ADC. Digital output from the left and right channel ADCs is always located in AC Link Input Frame slots 3 and 4 respectively. Input level to either ADC channel can be muted or adjusted from the Record Gain register, 1Ch. Adjustments are in 1.5 dB steps over a gain range of 0 dB to +22.5 dB and both channels mute together (D15). Input selection for the ADC is through the Record Select Mux controlled from the Record Select register, 1Ah, together with microphone selection controlled by the MS bit (D8) in the General Purpose register, 20h. The stereo input, CD_IN, uses a quasi-differential 3-pin interface where both stereo channel inputs are referenced to the third pin, CD_GND. CD_GND should be AC coupled to the source ground and provides common-mode feedback to cancel ground noise. It is not a DC ground. The other stereo input, LINE_IN, is a 2-pin interface, single-ended for each stereo channel with analog ground (AV_{SS}) as the signals' reference. Either of the two mono microphone inputs can be muxed to a programmable boost amplifier before selection for either channel of the ADC. The Microphone Mux is controlled by the Microphone Selection (MS) bit (D8) in the General Purpose register 20h and the 20 dB programmable boost is enabled by the 20dB bit (D6) in register 0Eh. The other selectable mono input, coupled directly to the Record Select Mux, is PHONE.

ANALOG MIXING: MIX1

Three analog inputs are available for mixing at the stereo mixer, MIX1 – both stereo and one mono, namely the microphone input selected by MS (D8, reg 20h). Digital input to the codec can be directed to either MIX1 or to MIX2 after conversion by the 18-bit stereo DAC and level adjustment by the PCM Out Volume control register (18h). Each input to MIX1 may be muted or level adjusted using the appropriate Mixer Input Volume Register: Mic Volume (0Eh), Line_In Volume (10h), CD Volume (12h) and PCM Out Volume (18h). The mono microphone input is mixed equally into left and right stereo channels but stereo mixing is orthogonal, i.e. left channels are only mixed with other left channels and right with right. The left and right amplitudes of any stereo input may be adjusted independently however mute for a stereo input acts on both left and right channels.

DAC MIXING AND 3D PROCESSING

Control of routing the DAC output to MIX1 or MIX2 is by the POP bit (D15) in the General Purpose register, 20h. If MIX1 is selected (default, POP=0) then the DAC output is available for processing by the National 3D Sound circuitry. If MIX2 is selected, the DAC output will bypass the 3D processing. This allows analog inputs to be enhanced by the analog 3D Sound circuitry prior to mixing with digital audio. The digital audio may then use alternative digital 3D enhancements. National 3D Sound circuitry is enabled by the 3D bit (D13) in the Gen-

eral Purpose register, 20h, and is a fixed depth implementation. The 3D Control register, 22h, is therefore not programmable (read-only). The 3D Sound circuitry defaults to disabled after reset.

ANALOG MIXING: MIX2

MIX2 combines the output of MIX1 (Stereo Mix 3D) with the two mono analog inputs, PHONE and PC_BEEP, these each level-adjusted by the input control registers Phone Volume (0Ch) and PC_Beep Volume (0Ah) respectively. If selected by the POP bit (D15, reg 20h), the DAC output is also summed into MIX2.

STEREO MIX

The output of MIX2 is the signal, Stereo Mix. Stereo Mix is used to drive the Line output (LINE_OUT) and can also be selected as the input to the ADC by the Record Select Mux. In addition, the two channels of Stereo Mix are summed to form a mono signal (Mono Mix) also selectable by the Record Select Mux as an input to either channel of the ADC.

STEREO OUTPUT

The output volume from LINE_OUT can be muted or adjusted by 0 dB to 45 dB in nominal 3 dB steps under the control of the Master Volume register, 02h. As with the input volume registers, adjustments to the levels of the two stereo channels can be made independently but both left and right channels share a mute bit (D15).

MONO OUTPUT

The mono output (MONO_OUT) is driven by one of two signals selected by the MIX bit (D9) in the General Purpose register, 20h. The signal selected by default (MIX = 0) is the mono summation of the two channels of Stereo Mix 3D, the stereo output of the mixer MIX1. Setting the control bit MIX = 1, selects a microphone input, MIC1 or MIC2. The choice of microphone is controlled by the Microphone Select (MS) bit (D8) also in the General Purpose register, 20h.

ANALOG LOOPTHROUGH AND DIGITAL LOOPBACK

Analog Loophrough refers to an all-analog signal path from an analog input through the mixers to an analog output. Digital Loopback refers to a mixed-mode analog and digital signal path from an analog input through the ADC, looped-back (LPBK bit – D7, 20h) through the DAC and mixers to an analog output.

RESETS

COLD RESET is performed when RESET# (pin 11) is pulled low for > 1 μ s. It is a complete reset. All registers and internal circuits are reset to their default state. It is the only reset which clears the ATE and Vendor Test Modes.

WARM RESET is performed when SYNC (pin 10) is held high for > 1 μ s and the codec AC Link digital interface is in powerdown (PR4 = 1, Powerdown Control / Status register, 26h). It is used to clear PR4 and power up the AC Link digital interface but otherwise does not change the contents of any registers nor reset any internal circuitry.

REGISTER RESET is performed when any value is written to the RESET register, 00h. It resets all registers to their default state and will modify circuit configurations accordingly but does not reset any other internal circuits.

AC Link Serial Interface Protocol

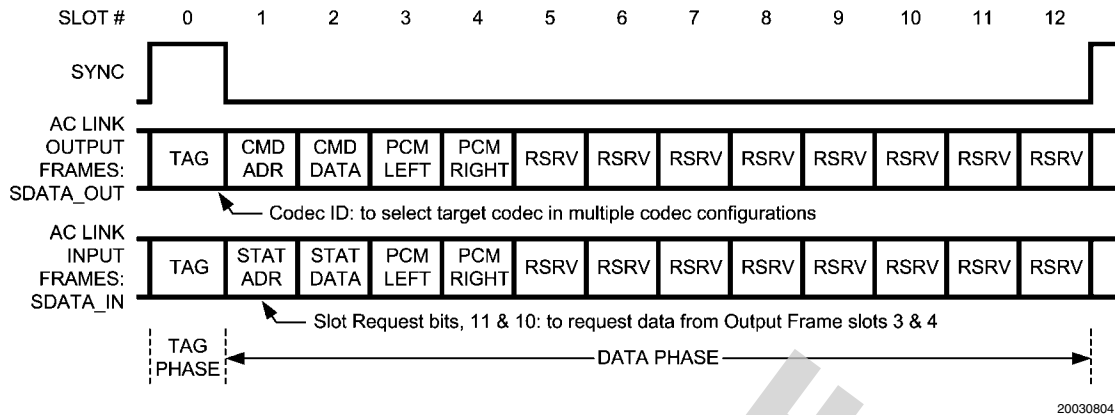


FIGURE 3. AC Link Bidirectional Audio Frame

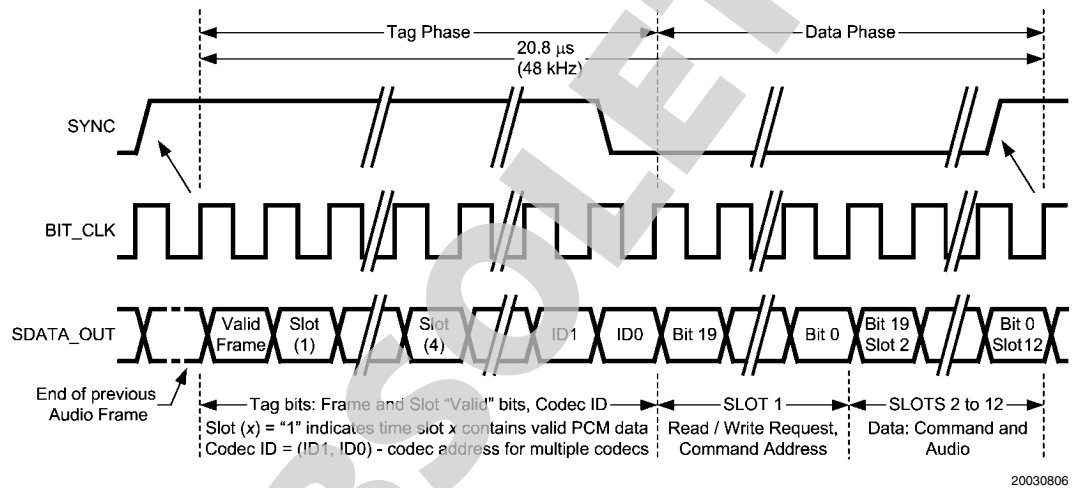


FIGURE 4. AC Link Output Frame

AC LINK OUTPUT FRAME: SDATA_OUT, CONTROLLER OUTPUT TO LM4546A INPUT

The AC Link Output Frame carries control and PCM data to the LM4546A control registers and stereo DAC. Output Frames are carried on the SDATA_OUT signal which is an output from the AC '97 Digital Controller and an input to the LM4546A codec. As shown in Figure 3, Output Frames are constructed from thirteen time slots: one Tag Slot followed by twelve Data Slots. Each Frame consists of 256 bits with each of the twelve Data Slots containing 20 bits. Input and Output Frames are aligned to the same SYNC transition. Note that since the LM4546A is a two channel codec, it only accepts data in 4 of the twelve Data Slots – 2 for control, one each for PCM data to the left and right channel DACs. Data Slot 3 & 4 are used to stream data to the stereo DAC for all modes selected by the Identity pins ID1#, ID0#.

A new Output Frame is signaled with a low-to-high transition of SYNC. SYNC should be clocked from the controller on a rising edge of BIT_CLK and, as shown in Figure 4 and Figure 5, the first tag bit in the Frame ("Valid Frame") should be clocked from the controller by the next rising edge of BIT_CLK

and sampled by the LM4546A on the following falling edge. The AC '97 Controller should always clock data to SDATA_OUT on a rising edge of BIT_CLK and the LM4546A always samples SDATA_OUT on the next falling edge. SYNC is sampled with the rising edge of BIT_CLK.

The LM4546A checks each Frame to ensure 256 bits are received. If a new Frame is detected (a low-to-high transition on SYNC) before 256 bits are received from the old Frame then the new Frame is ignored i.e. the data on SDATA_OUT is discarded until a valid new Frame is detected.

The LM4546A expects to receive data MSB first, in an MSB justified format.

SDATA_OUT: Slot 0 – Tag Phase

The first bit of Slot 0 is designated the "Valid Frame" bit. If this bit is 1, it indicates that the current Output Frame contains at least one slot of valid data and the LM4546A will check further tag bits for valid data in the expected Data Slots. With the codec in Primary mode, a controller will indicate valid data in

a slot by setting the associated tag bit equal to 1. Since it is a two channel codec the LM4546A can only receive data from four slots in a given frame and so only checks the valid-data bits for 4 slots. In Primary mode these tag bits are for: slot 1 (Command Address), slot 2 (Command Data), slot 3 (PCM data for left DAC) and slot 4 (PCM data for right DAC).

The last two bits in the Tag contain the Codec ID used to select the target codec to receive the frame in multiple codec systems. When the frame is being sent to a codec in one of the Secondary modes the controller does not use bits 14 and 13 to indicate valid Command Address and Data in slots 1 and 2. Instead, this role is performed by the Codec ID bits – operation of the Extended AC Link assumes that the controller would not access a secondary codec unless it was providing valid Command Address and/or Data. When in one of the secondary modes the LM4546A only checks the tag bits for the Codec ID and for valid data in the two audio data slots 3 & 4.

When sending an Output Frame to a Secondary mode codec, a controller should set tag bits 14 and 13 to zero.

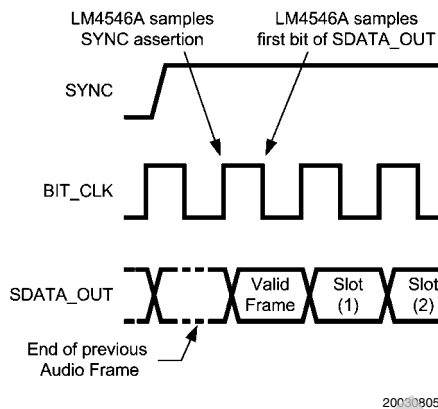


FIGURE 5. Start of AC Link Output Frame

SLOT 0, OUTPUT FRAME

Bit	Description	Comment
15	Valid Frame	1 = Valid data in at least one slot.
14	Control register address	1 = Valid Control Address in Slot 1 (Primary codec only)
13	Control register data	1 = Valid Control Data in Slot 2 (Primary codec only)
12	Left DAC data in Slot 3	1 = Valid PCM Data in Slot 3 (Primary & all Secondary modes)
11	Right DAC data in Slot 4	1 = Valid PCM Data in Slot 4 (Primary & all Secondary modes)

Bit	Description	Comment
10:2	Not Used	Controller should stuff these slots with "0"s
1,0	Codec ID (ID1, ID0)	The codec ID is used in a multi-codec system to identify the target Secondary codec for the Control Register address and/or data sent in the Output Frame

SDATA_OUT: Slot 1 – Read/Write, Control Address

Slot 1 is used by a controller to indicate both the address of a target register in the LM4546A and whether the access operation is a register read or register write. The MSB of slot 1 (bit 19) is set to 1 to indicate that the current access operation is 'read'. Bits 18 through 12 are used to specify the 7-bit register address of the read or write operation. The least significant twelve bits are reserved and should be stuffed with zeros by the AC '97 controller.

SLOT 1, OUTPUT FRAME

Bits	Description	Comment
19	Read/Write	1 = Read 0 = Write
18:12	Register Address	Identifies the Status/Command register for read/write
11:0	Reserved	Controller should set to "0"

SDATA_OUT: Slot 2 – Control Data

Slot 2 is used to transmit 16-bit control data to the LM4546A when the access operation is 'write'. The least significant four bits should be stuffed with zeros by the AC '97 controller. If the access operation is a register read, the entire slot, bits 19 through 0 should be stuffed with zeros.

SLOT 2, OUTPUT FRAME

Bits	Description	Comment
19:4	Control Register Write Data	Controller should stuff with zeros if operation is "read"
3:0	Reserved	Set to "0"

SDATA_OUT: Slots 3 & 4 – PCM Playback Left/Right Channels

Slots 3 and 4 are 20-bit fields used to transmit PCM data to the left and right channels of the stereo DAC for all codec Primary and Secondary modes. Any unused bits should be stuffed with zeros. The LM4546A DACs have 18-bit resolution and will therefore use the 18 MSBs of the 20-bit PCM data (MSB justified).

SLOTS 3 & 4, OUTPUT FRAME

Bits	Description	Comment
19:0	PCM DAC Data (Left /Right Channels)	Slots used to stream data to DACs for all Primary or Secondary modes. Set unused bits to "0"

SDATA_OUT: Slots 5 to 12 – Reserved

These slots are not used by the LM4546A and should all be stuffed with zeros by the AC '97 Controller.

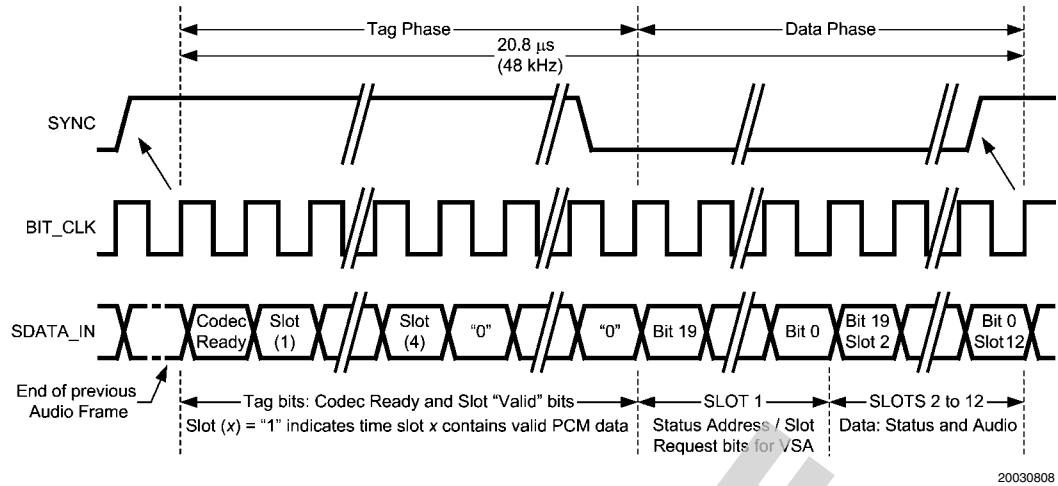


FIGURE 6. AC Link Input Frame

AC LINK INPUT FRAME: SDATA_IN, CONTROLLER INPUT FROM LM4546A OUTPUT

The AC Link Input Frame contains status and PCM data from the LM4546A control registers and stereo ADC. Input Frames are carried on the SDATA_IN signal which is an input to the AC '97 Digital Audio Controller and an output from the LM4546A codec. As shown in Figure 3, Input Frames are constructed from thirteen time slots: one Tag Slot followed by twelve Data Slots. The Tag Slot, Slot 0, contains 16 bits of which 5 are used by the LM4546A. One is used to indicate that the AC Link interface is fully operational and the other 4 to indicate the validity of the data in the four of the twelve following Data Slots that are used by the LM4546A. Each Frame consists of 256 bits with each of the twelve data slots containing 20 bits.

A new Input Frame is signaled with a low-to-high transition of SYNC. SYNC should be clocked from the controller on a rising edge of BIT_CLK and, as shown in Figure 6 and Figure 7, the first tag bit in the Frame ("Codec Ready") is clocked from the LM4546A by the next rising edge of BIT_CLK. The LM4546A always clocks data to SDATA_IN on a rising edge of BIT_CLK and the controller is expected to sample SDATA_IN on the next falling edge. The LM4546A samples SYNC on the rising edge of BIT_CLK.

Input and Output Frames are aligned to the same SYNC transition.

The LM4546A checks each Frame to ensure 256 bits are received. If a new Frame is detected (a low-to-high transition on SYNC) before 256 bits are received from an old Frame then the new Frame is ignored i.e. no valid data is sent on SDATA_IN until a valid new Frame is detected.

The LM4546A transmits data MSB first, in a MSB justified format. All reserved bits and slots are stuffed with "0"s by the LM4546A.

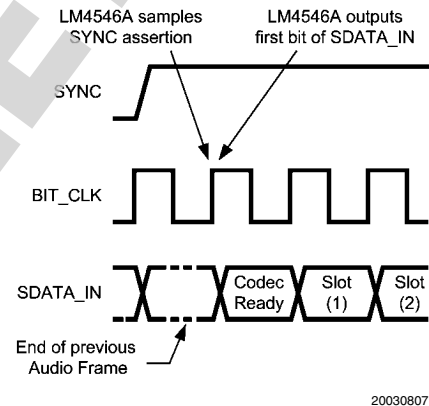


FIGURE 7. Start of AC Link Input Frame

SDATA_IN: Slot 0 – Codec/Slot Status Bits

The first bit (bit 15, "Codec Ready") of slot 0 in the AC Link Input Frame indicates when the codec's AC Link digital interface and its status/control registers are fully operational. The digital controller is then able to read the LSBs from the Powerdown Control/Stat register (26h) to determine the status of the four main analog subsections. It is important to check the status of these subsections after Initialization, Cold Reset or the use of the powerdown modes in order to minimize the risk of distorting analog signals passed before the subsections are ready.

The 4 bits 14, 13, 12 and 11 indicate that the data in slots 1, 2, 3 and 4, respectively, are valid.

SLOT 0, INPUT FRAME

Bit	Description	Comment
15	Codec Ready Bit	1 = AC Link Interface Ready
14	Slot 1 data valid	1 = Valid Status Address or Slot Request
13	Slot 2 data valid	1 = Valid Status Data
12	Slot 3 data valid	1 = Valid PCM Data (Left ADC)
11	Slot 4 data valid	1 = Valid PCM Data (Right ADC)

SDATA_IN: Slot 1 – Status Address / Slot Request Bits

This slot echoes (in bits 18 – 12) the 7-bit address of the codec control/status register received from the controller as part of a read-request in the previous frame. If no read-request was received, the codec stuffs these bits with zeros.

Bits 11, 10 are Slot Request bits that support the Variable Rate Audio (VRA) capabilities of the LM4546A. For all codec Primary and Secondary modes, the left and right channels of the DAC take PCM data from slots 3 and 4 in the Output Frame respectively. The codec will therefore use bits 11 and 10 to request DAC data from these two slots. If bits 11 and 10 are set to 0, the controller should respond with valid PCM data in slots 3 and 4 of the next Output Frame. If bits 11 and 10 are set to 1, the controller should not send data.

The codec has full control of the slot request bits. By default, data is requested in every frame, corresponding to a sample rate equal to the frame rate (SYNC frequency) – 48 kHz when XTAL_IN = 24.576 MHz. To send samples at a rate below the frame rate, a controller should set VRA = 1 (bit 0 in the Extended Audio Control/Status register, 2Ah) and program the desired rate into the PCM DAC Rate register, 2Ch. Both DAC channels operate at the same sample rate. Values for common sample rates are given in the Register Description section (Sample Rate Control Registers, 2Ch, 32h) but any rate between 4 kHz and 48 kHz (to a resolution of 1 Hz) is supported. Slot Requests from the LM4546A are issued completely deterministically. For example if a sample rate of 8000 Hz is programmed into 2Ch then the LM4546A will always issue a slot request in every sixth frame. A frequency of 9600 Hz will result in a request every fifth frame while a frequency of 8800 Hz will cause slot requests to be spaced alternately five and six frames apart. This determinism makes it easy to plan task scheduling on a system controller and simplifies application software development.

The LM4546A will ignore data in Output Frame slots that do not follow an Input Frame with a Slot Request. For example, if the LM4546A is expecting data at a 8000 Hz rate yet the AC '97 Digital Audio Controller continues to send data at 48000 Hz, then only those one-in-six audio samples that follow a Slot Request will be used by the DAC. The rest will be discarded. Bits 9 – 2 are request bits for slots not used by the LM4546A and are stuffed with zeros. Bits 1 and 0 are reserved and are also stuffed with zeros.

SLOT 1, INPUT FRAME

Bits	Description	Comment
19	Reserved	Stuffed with "0" by LM4546A
18:12	Status Register Index	Echo of the requested Status Register address

Bits	Description	Comment
11	Slot 3 Request bit (For left DAC PCM data)	0 = Controller should send valid data in Slot 3 of the next Output Frame. 1 = Controller should not send Slot 3 data.
10	Slot 4 Request bit (For right DAC PCM data)	0 = Controller should send valid data in Slot 4 of the next Output Frame. 1 = Controller should not send Slot 4 data.
9:2	Unused Slot Request bits	Stuffed with "0"s by LM4546A
1,0	Reserved	Stuffed with "0"s by LM4546A

SDATA_IN: Slot 2 – Status Data

This slot returns 16-bit status data read from a codec control/status register. The codec sends the data in the frame following a read-request by the controller (bit 15, slot 1 of the Output Frame). If no read-request was made in the previous frame the codec will stuff this slot with zeros.

SLOT 2, INPUT FRAME

Bits	Description	Comment
19:4	Status Data	Data read from a codec control/status register. Stuffed with "0"s if no read-request in previous frame.
3:0	Reserved	Stuffed with "0"s by LM4546A

SDATA_IN: Slot 3 – PCM Record Left Channel

This slot contains sampled data from the left channel of the stereo ADC. The signal to be digitized is selected using the Record Select register (1Ah) and subsequently routed through the Record Select Mux and the Record Gain amplifier to the ADC.

This is a 20-bit slot and the digitized 18-bit PCM data is transmitted in an MSB justified format. The remaining 2 LSBs are stuffed with zeros.

SLOT 3, INPUT FRAME

Bits	Description	Comment
19:2	PCM Record Left Channel data	18-bit PCM sample from left ADC
1:0	Reserved	Stuffed with "0"s by LM4546A

SDATA_IN: Slot 4 – PCM Record Right Channel

This slot contains sampled data from the right channel of the stereo ADC. The signal to be digitized is selected using the Record Select register (1Ah) and subsequently routed through the Record Select Mux and the Record Gain amplifier to the ADC.

This is a 20-bit slot and the digitized 18-bit PCM data is transmitted in an MSB justified format. The remaining 2 LSBs are stuffed with zeros.

SLOT 4, INPUT FRAME

Bits	Description	Comment
19:2	PCM Record Right Channel data	18-bit PCM audio sample from right ADC
1:0	Reserved	Stuffed with "0"s by LM4546A

SDATA_IN: Slots 5 to 12 – Reserved

Slots 5 – 12 of the AC Link Input Frame are not used for data by the LM4546A and are always stuffed with zeros.

OBSOLETE

Register Descriptions

Default settings are indicated by *.

RESET REGISTER (00h)

Writing any value to this register causes a Register Reset which changes all registers back to their default values. If a read is performed on this register, the LM4546A will return a value of 0D40h. This value can be interpreted in accordance with the AC '97 specification to indicate that National 3D Sound is implemented and 18-bit data is supported for both the ADCs and DACs.

MASTER VOLUME REGISTER (02h)

This output register allows the output level from either channel of the stereo LINE_OUT to be muted or attenuated over the range 0 dB – 46.5 dB in nominal 1.5 dB steps. There are 5 bits of volume control for each channel and both stereo channels can be individually attenuated. The mute bit (D15) acts simultaneously on both stereo channels of LINE_OUT.

Mute	Mx4:Mx0	Function
0	0 0000	0dB attenuation
0	1 1111	46.5dB attenuation
1	X XXXX	*mute
Default: 8000h		

MONO VOLUME REGISTER (06h)

This output register allows the level from MONO_OUT to be muted or attenuated over the range 0 dB – 46.5 dB in nominal 1.5 dB steps. There are 5 bits of volume control and one mute bit (D15).

Mute	MM4:MM0	Function
0	0 0000	0dB attenuation
0	1 1111	46.5dB attenuation
1	X XXXX	*mute
Default: 8000h		

PC BEEP VOLUME REGISTER (0Ah)

This input register adjusts the level of the mono PC_BEEP input to the stereo mixer MIX2 where it is summed equally into both channels of the Stereo Mix signal. PC_BEEP can be both muted and attenuated over a range of 0 dB to 45 dB in nominal 3 dB steps. Note that the default setting for the PC_BEEP Volume register is 0 dB attenuation rather than mute.

Mute	PV3:PV0	Function
0	0000	*0dB attenuation
0	1111	45dB attenuation
1	XXXX	mute
Default: 0000h		

MIXER INPUT VOLUME REGISTERS (Index 0Ch - 18h)

These input registers adjust the volume levels into the stereo mixers MIX1 and MIX2. Each channel may be adjusted over a range of +12dB gain to 34.5dB attenuation in 1.5dB steps. For stereo ports, volumes of the left and right channels can be independently adjusted. Muting a given port is accomplished by setting the MSB to 1. Setting the MSB to 1 for stereo ports mutes both the left and right channel. The Mic Volume register (0Eh) controls an additional 20dB boost for the selected microphone input by setting the 20dB bit (D6).

Mute	Gx4:Gx0	Function
0	0 0000	+12dB gain
0	0 1000	0dB gain
0	1 1111	34.5dB attenuation
1	X XXXX	*mute
Default: 8008h (mono registers) 8808h (stereo registers)		

RECORD SELECT REGISTER (1Ah)

This register independently controls the sources for the right and left channels of the stereo ADC. The default value of 0000h corresponds to selecting the (mono) Mic input for both channels.

SL2:SL0	Source for Left Channel ADC
0	*Mic input
1	CD input (L)
2	VIDEO input (L)
3	AUX input (L)
4	LINE_IN input (L)
5	Stereo Mix (L)
6	Mono Mix
7	PHONE input

SR2:SR0	Source for Right Channel ADC
0	*Mic input
1	CD input (R)
2	VIDEO input (R)
3	AUX input (R)
4	LINE_IN input (R)
5	Stereo Mix (R)
6	Mono Mix
7	PHONE input

Default: 0000h

RECORD GAIN REGISTER (1Ch)

This register controls the input levels for both channels of the stereo ADC. The inputs come from the Record Select Mux and are selected via the Record Select Control register, 1Ah. The gain of each channel can be individually programmed from 0dB to +22.5dB in 1.5dB steps. Both channels can also be muted by setting the MSB to 1.

Record Gain Register (1Ch)

Mute	Gx3:Gx0	Function
0	1111	22.5dB gain
0	0000	0dB gain
1	XXXX	*mute
Default: 8000h		

GENERAL PURPOSE REGISTER (20h)

This register controls many miscellaneous functions implemented on the LM4546A. The miscellaneous control bits include POP which allows the DAC output to bypass the National 3D Sound circuitry, 3D which enables or disables the National 3D Sound circuitry, MIX which selects the MONO_OUT source, MS which controls the Microphone Se-

lection mux and LPBK which connects the output of the stereo ADC to the input of the stereo DAC. LPBK provides a mixed-mode analog and digital loopback path between analog inputs and analog outputs.

BIT	Function
POP	PCM Out Path: *0 = 3D allowed 1 = 3D bypassed
3D	National 3D Sound: *0 = off 1 = on
MIX	Mono output select: *0 = Mix 1 = Mic
MS	Mic select: *0 = MIC1 1 = MIC2
LPBK	ADC/DAC Loopback: *0 = No Loopback 1 = Loopback
Default: 0000h	

3D CONTROL REGISTER (22h)

This read-only (0101h) register indicates, in accordance with the AC '97 Rev 2.1 Specification, the fixed depth and center characteristics of the National 3D Sound stereo enhancement.

POWERDOWN CONTROL / STATUS REGISTER (26h)

This read/write register is used both to monitor subsystem readiness and also to program the LM4546A powerdown states. The 4 LSBs indicate status and 6 of the 8 MSBs control powerdown.

The 4 LSBs of this register indicate the status of the 4 audio subsections of the codec: Reference voltage, Analog mixers and amplifiers, DAC section, ADC section. When the "Codec Ready" indicator bit in the AC Link Input Frame (SDATA_IN: slot 0, bit 15) is a "1", it indicates that the AC Link and AC '97 registers are in a fully operational state and that control and status information can be transferred. It does not indicate that the codec is ready to send or receive audio PCM data or to pass signals through the analog I/O and mixers. To determine that readiness, the Controller must check that the 4 LSBs of this register are set to "1" indicating that the appropriate audio subsections are ready.

The powerdown bits PR0 – PR5 control internal subsections of the codec. They are implemented in compliance with AC '97 Rev 2 to support the standard device power management states D0 – D3 as defined in the ACPI and PCI Bus Power Management specification.

PR0 controls the powerdown state of the ADC and associated sampling rate conversion circuitry. PR1 controls powerdown for the DAC and the DAC sampling rate conversion circuitry. PR2 powers down the mixer circuits (MIX1, MIX2, National 3D Sound, Mono Out, Line Out). PR3 powers down V_{REF} in addition to all the same mixer circuits as PR2. PR4 powers down the AC Link digital interface – see Figure 8 for signal powerdown timing. PR5 disables internal clocks. PR6 and PR7 are not used.

BIT#	BIT	Function: Status
0	ADC	1 = ADC section ready to transmit data
1	DAC	1 = DAC section ready to accept data
2	ANL	1 = Analog mixers ready
3	REF	1 = V_{REF} is up to nominal level

BIT#	BIT	Function: Powerdown
8	PR0	1 = Powerdown ADCs and Record Select Mux
9	PR1	1 = Powerdown DACs
10	PR2	1 = Powerdown Analog Mixer (V_{REF} still on)
11	PR3	1 = Powerdown Analog Mixer (V_{REF} off)
12	PR4	1 = Powerdown AC Link digital interface (BIT_CLK off)
13	PR5	1 = Disable Internal Clock
14	PR6	Not Used
15	PR7	Not Used

Default: 000Xh

EXTENDED AUDIO ID REGISTER (28h)

This read-only register identifies which AC '97 Extended Audio features are supported. The LM4546A features VRA (Variable Rate Audio) and ID1, ID0 (Multiple Codec support). VRA is indicated by a "1" in bit 0. The two MSBs, ID1 and ID0, show the current Codec Identity as defined by the Identity pins ID1#, ID0# (pins 46 and 45). Note that the external logic connections to ID1#, ID0# (pins 46 and 45) are inverse in polarity to the value of the Codec Identity (ID1, ID0) held in bits D15, D14. Codec mode selections are shown in the table below.

Pin 46 (ID1#)	Pin 45 (ID0#)	D15,28h (ID1)	D14,28h (ID0)	Codec Identity Mode
NC/DV _{DD}	NC/DV _{DD}	0	0	Primary
NC/DV _{DD}	GND	0	1	Secondary 1
GND	NC/DV _{DD}	1	0	Secondary 2
GND	GND	1	1	Secondary 3

EXTENDED AUDIO STATUS/CONTROL REGISTER (2Ah)

This read/write register provides status and control of the variable sample rate capabilities in the LM4546A. Setting the LSB of this register to "1" enables Variable Rate Audio (VRA) mode and allows DAC and ADC sample rates to be programmed via registers 2Ch and 32h respectively.

BIT	Function
VRA	*0 = VRA off (Frame-rate sampling) 1 = VRA on
Default: 0000h	

SAMPLE RATE CONTROL REGISTERS (2Ch, 32h)

These read/write registers are used to set the sample rate for the left and right channels of the DAC (PCM DAC Rate, 2Ch) and the ADC (PCM ADC Rate, 32h). When Variable Rate Audio is enabled via bit 0 of the Extended Audio Control/Status register (2Ah), the sample rates can be programmed, in 1

Hz increments, to be any value from 4 kHz to 48 kHz. The value required is the hexadecimal representation of the desired sample rate, e.g. $8000_{10} = 1F40h$. Below is a list of the most common sample rates and the corresponding register (hex) values.

Common Sample Rates

SR15:SR0	Sample Rate (Hz)
1F40h	8000
2B11h	11025
3E80h	16000
5622h	22050
AC44h	44100
*BB80h	*48000

VENDOR ID REGISTERS (7Ch – 7Eh)

These two read-only (4E53h, 4350h) registers contain National's Vendor ID and National's LM45xx codec version

Low Power Modes

The LM4546A provides 6 bits to control the powerdown state of internal analog and digital subsections and clocks. These 6 bits (PR0 – PR5) are located in the 8 MSBs of the Powerdown Control/Status register, 26h. The status of the four main analog subsections is given by the 4 LSBs in the same register, 26h.

The powerdown bits are implemented in compliance with AC '97 Rev 2 to support the standard device power management states D0 – D3 as defined in the ACPI and PCI Bus Power Management specification.

PR0 controls the powerdown state of the ADC and associated sampling rate conversion circuitry. PR1 controls powerdown for the DAC and the DAC sampling rate conversion circuitry. PR2 powers down the mixer circuits (MIX1, MIX2, National 3D Sound, Mono Out, Line Out). PR3 powers down V_{REF} in addition to all the same mixer circuits as PR2. PR4 powers down the AC Link Digital Interface – see Figure 8 for signal powerdown timing. PR5 disables internal clocks but leaves the crystal oscillator and BIT_CLK running (needed for minimum Primary mode powerdown dissipation in multi-codec systems). PR6 and PR7 are not used.

After a subsection has undergone a powerdown cycle, the appropriate status bit(s) in the Powerdown Control/Status

designation. The first 24 bits (4Eh, 53h, 43h) represent the three ASCII characters "NSC" which is National's Vendor ID for Microsoft's Plug and Play. The last 8 bits are the two binary coded decimal characters, 4, 6 and identify the codec to be an LM4546A.

RESERVED REGISTERS

Do not write to reserved registers. In particular, do not write to registers 24h, 5Ah, 74h and 7Ah. All registers not listed in the LM4546A Register Map are reserved. Reserved Registers will return 0000h if read.

register (26h) must be polled to confirm readiness. In particular the startup time of the V_{REF} circuitry depends on the value of the decoupling capacitors on pin 27 (3.3 μF , 0.1 μF in parallel is recommended) and this dependency is behind the requirement for both PR2 and PR3 functionality in AC '97 Rev 2.

When the AC Link Digital Interface is powered down the codec output signals SDATA_IN and BIT_CLK (Primary mode) are cleared to zero and no control data can be passed between controller and codec(s). This powerdown state can be cleared in two ways: Cold Reset (RESET# = 0) or Warm Reset (SYNC = 1, no BIT_CLK). Cold Reset sets all registers back to their default values (including clearing PR4) whereas Warm Reset only clears the PR4 bit and restarts the AC Link Digital Interface leaving all register contents otherwise unaffected. For Warm Reset (see Timing Diagrams), the SYNC input is used asynchronously. The LM4546A codec allows the AC Link digital interface powerdown state to be cleared immediately so that its duration can be essentially as short as T_{SH} , the Warm Reset pulse width. However for conformance with AC '97 Rev 2, Warm Reset should not be applied within 4 frame times of powerdown i.e. the AC Link powerdown state should be allowed to last at least 82.8 μs .

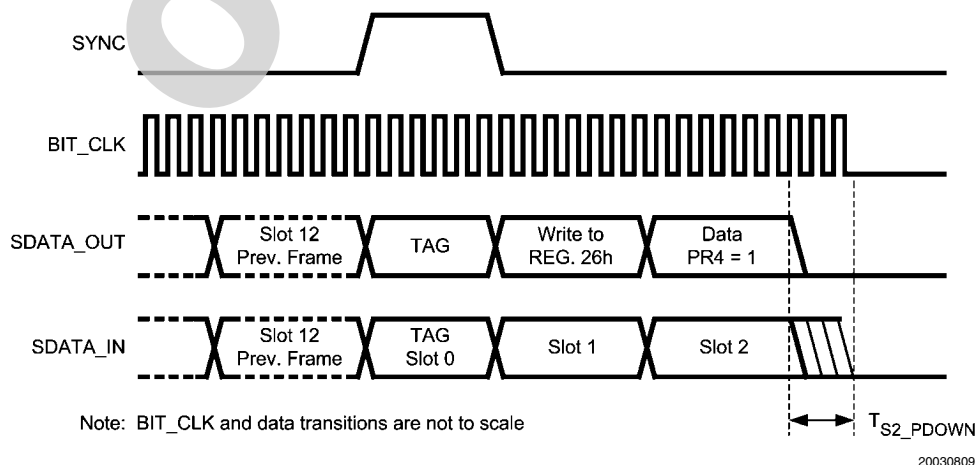


FIGURE 8. AC Link Powerdown Timing

Improving System Performance

The audio codec is capable of dynamic range performance in excess of 90 db., but the user must pay careful attention to several factors to achieve this. A primary consideration is keeping analog and digital grounds separate, and connecting them together in only one place. Some designers show the connection as a zero ohm resistor, which allows naming the nets separately. Although it is possible to use a two layer board, it is recommended that a minimum of four layers be used, with the two inside layers being analog ground and digital ground. If EMI is a system consideration, then as many as eight layers have been successfully used. The 12 and 25 MHz. clocks can have significant harmonic content depending on the rise and fall times. With the exception of the digital VDD pins, (covered later) bypass capacitors should be very close to the package. The analog VDD pins should be supplied from a separate regulator to reduce noise. By operating the digital portion on 3.3V instead of 5V, an additional 0.5-0.7 db improvement can be obtained.

Depending on power supply layout, routing, and capacitor ESR, a device instability can occur, resulting in increased noise on the outputs. This can be eliminated by adding an inductor in the digital supply line between the supply bypass capacitors and the DVDD pins, which increases the high frequency impedance of the supply as seen by the part. This "current starving" technique slows down internal rise and fall times, which will improve the signal to noise ratio, especially at low temperatures. In addition, the EMI radiated from the board is also reduced.

Multiple Codecs

EXTENDED AC LINK

Up to four codecs can be supported on the extended AC Link. These multiple codec implementations should run off a common BIT_CLK generated by the Primary Codec. All codecs share the AC '97 Digital Controller output signals. SYNC, SDATA_OUT, and RESET#. Each codec, however, supplies its own SDATA_IN signal back to the controller, with the result that the controller requires one dedicated input pin per codec (Figure 9).

By definition there can be one Primary Codec and up to three Secondary Codecs on an extended AC Link. The Primary Codec has a Codec Identity = (ID1, ID0) = ID = 00 while Secondary Codecs take identities equal to 01, 10 or 11. The Codec Identity is used as a chip select function. This allows the Command and Status registers in any of the codecs to be individually addressed although the access mechanism for Secondary Codecs differs slightly from that for a Primary.

The Identity control pins, ID1#, ID0# (pins 46 and 45) are internally pulled up to DV_{DD}. The Codec may therefore be configured as 'Primary' either by leaving ID1#, ID0# open (NC) or by strapping them externally to DV_{DD} (Digital Supply). The difference between Primary and Secondary codec modes is in their timing source and in the Tag Bit handling in

Output Frames for Command/Status register access. For a timing source, a Primary codec divides down by 2 the frequency of the signal on XTAL_IN and also generates this as the BIT_CLK output for the use of the controller and any Secondary codecs. Secondary codecs use BIT_CLK as an input and as their timing source and do not use XTAL_IN or XTAL_OUT. The use of Tag Bits is described below.

SECONDARY CODEC REGISTER ACCESS

For Secondary Codec access, the controller must set the tag bits for Command Address and Data in the Output Frame as invalid (i.e. equal to 0). The Command Address and Data tag bits are in slot 0, bits 14 and 13 and Output Frames are those in the SDATA_OUT signal from controller to codec. The controller must also place the non-zero value (01, 10, or 11) corresponding to the Identity (ID1, ID0) of the target Secondary Codec into the Codec ID field (slot 0, bits 1 and 0) in that same Output Frame. The value set in the Codec ID field determines which of the three possible Secondary Codecs is accessed. Unlike a Primary Codec, a Secondary Codec will disregard the Command Address and Data tag bits when there is a match between the 2-bit Codec ID value (slot 0, bits 1 and 0) and the Codec Identity (ID1, ID0). Instead it uses the Codec-ID/Identity match to indicate that the Command Address in slot 1 and (if a "write") the Command Data in slot 2 are valid.

When reading from a Secondary Codec, the controller must send the correct Codec ID bits (i.e. the target Codec Identity in slot 0, bits 1 and 0) along with the read-request bit (slot 1, bit 19) and target register address (slot 1, bits 18 – 12). To write to a Secondary Codec, a controller must send the correct Codec ID bits when slot 1 contains a valid target register address and "write" indicator bit and slot 2 contains valid target register data. A write operation is only valid if the register address and data are both valid and sent within the same frame. When accessing the Primary Codec, the Codec ID bits are cleared and the tag bits 14 and 13 resume their role indicating the validity of Command Address and Data in slots 1 and 2.

The use of the tag bits in Input Frames (carried by the SDATA_IN signal) is the same for Primary and Secondary Codecs.

The Codec Identity is determined by the inverting input pins ID1#, ID0# (pins 46 and 45) and can be read as the value of the ID1, ID0 bits (D15, D14) in the Extended Audio ID register, 28h of the target codec.

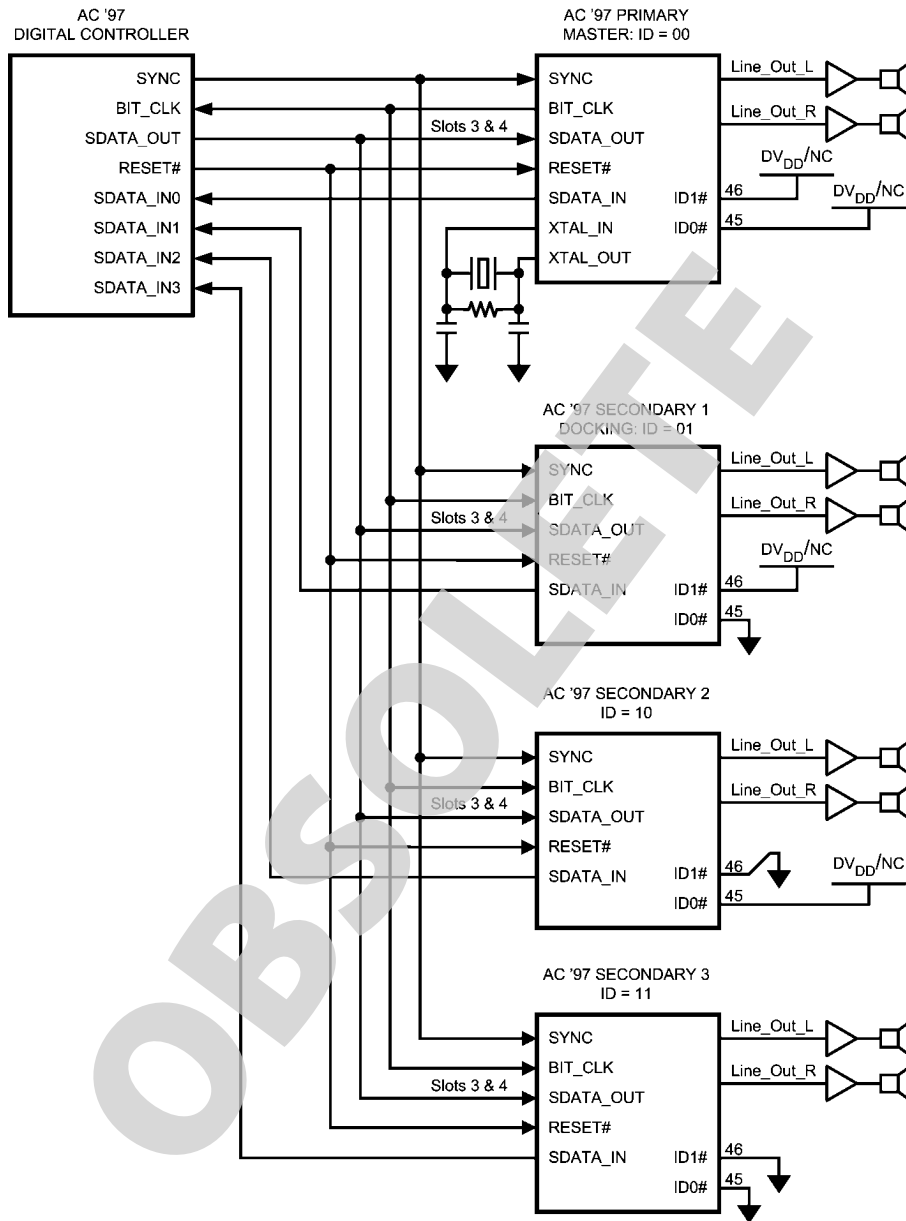
Slots in the AC Link Output Frame are always mapped to carry data to the left DAC channel in slot 3 and data to the right DAC channel in slot 4. Similarly, slots in AC Link Input Frames are always mapped such that PCM data from the left ADC channel is carried by slot 3 and PCM data from the right ADC channel by slot 4. Output Frames are those carried by the SDATA_OUT signal from the controller to the codec while Input Frames are those carried by the SDATA_IN signal from the codec to the controller.

SLOT 0: TAG bits in Output Frames (controller to codec)

Bit 15	14	13	12	11	10	9	8	7	6	5	4	3	2	1	0
Valid Frame	Slot 1 Valid	Slot 2 Valid	Slot 3 Valid	Slot 4 Valid	X	X	X	X	X	X	X	X	X	ID1	ID0

Extended Audio ID register (28h): Support for Multiple Codexes

Reg	Name	D15	D14	D13	D12	D11	D10	D9	D8	D7	D6	D5	D4	D3	D2	D1	D0	Default
28h	Extended Audio ID	ID1	ID0	X	X	X	X	X	X	X	X	X	X	X	X	X	VRA	X001h



20030823

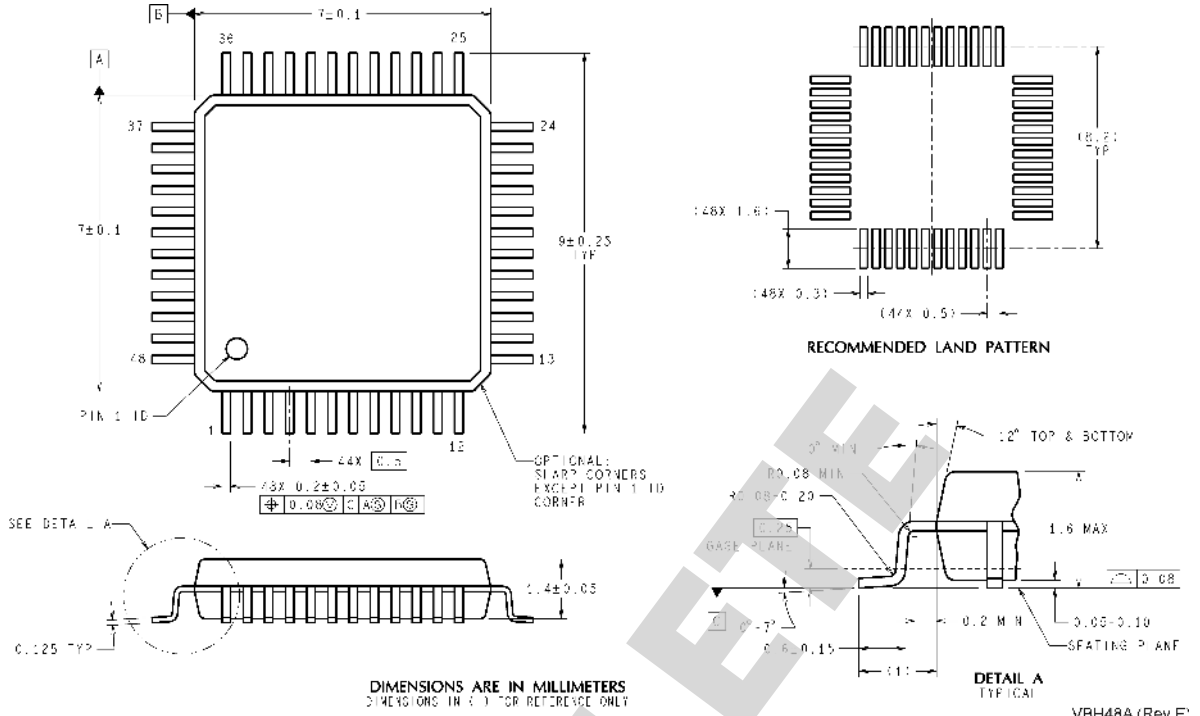
FIGURE 9. Multiple Codexes using Extended AC Link

Test Modes

AC '97 Rev 2 defines two test modes: ATE test mode and Vendor test mode. Cold Reset is the only way to exit either of them. The ATE test mode is activated if SDATA_OUT is sampled high by the trailing edge (zero-to-one transition) of RESET#. In ATE test mode the codec AC Link outputs SDATA_IN and BIT_CLK are then configured to a high impedance state to allow tester control of the AC Link inter-

face for controller testing. ATE test mode timing parameters are given in the Electrical Characteristics table. The Vendor test mode is entered if SYNC is sampled high by the zero-to-one transition of RESET#. Neither of these entry conditions can occur in normal AC Link operation but care must be taken to avoid mistaken activation of the test modes when using non standard controllers.

Physical Dimensions inches (millimeters) unless otherwise noted



DIMENSIONS ARE IN MILLIMETERS
DIMENSIONS IN INCH FOR REFERENCE ONLY

48-Lead, LQFP, 7 X 7 X 1.4mm, JEDEC (M)
Order Number LM4546AVH
NS Package Number VBH48A

VBH48A (Rev E)

Notes

LM4546A

OBSOLETE

Notes

For more National Semiconductor product information and proven design tools, visit the following Web sites at:

Products		Design Support	
Amplifiers	www.national.com/amplifiers	WEBENCH® Tools	www.national.com/webench
Audio	www.national.com/audio	App Notes	www.national.com/appnotes
Clock and Timing	www.national.com/timing	Reference Designs	www.national.com/refdesigns
Data Converters	www.national.com/adc	Samples	www.national.com/samples
Interface	www.national.com/interface	Eval Boards	www.national.com/evalboards
LVDS	www.national.com/lvds	Packaging	www.national.com/packaging
Power Management	www.national.com/power	Green Compliance	www.national.com/quality/green
Switching Regulators	www.national.com/switchers	Distributors	www.national.com/contacts
LDOs	www.national.com/ldo	Quality and Reliability	www.national.com/quality
LED Lighting	www.national.com/led	Feedback/Support	www.national.com/feedback
Voltage Reference	www.national.com/vref	Design Made Easy	www.national.com/easy
PowerWise® Solutions	www.national.com/powerwise	Solutions	www.national.com/solutions
Serial Digital Interface (SDI)	www.national.com/sdi	Mil/Aero	www.national.com/milaero
Temperature Sensors	www.national.com/tempensors	SolarMagic™	www.national.com/solarmagic
Wireless (PLL/VCO)	www.national.com/wireless	PowerWise® Design University	www.national.com/training

THE CONTENTS OF THIS DOCUMENT ARE PROVIDED IN CONNECTION WITH NATIONAL SEMICONDUCTOR CORPORATION ("NATIONAL") PRODUCTS. NATIONAL MAKES NO REPRESENTATIONS OR WARRANTIES WITH RESPECT TO THE ACCURACY OR COMPLETENESS OF THE CONTENTS OF THIS PUBLICATION AND RESERVES THE RIGHT TO MAKE CHANGES TO SPECIFICATIONS AND PRODUCT DESCRIPTIONS AT ANY TIME WITHOUT NOTICE. NO LICENSE, WHETHER EXPRESS, IMPLIED, ARISING BY ESTOPPEL OR OTHERWISE, TO ANY INTELLECTUAL PROPERTY RIGHTS IS GRANTED BY THIS DOCUMENT.

TESTING AND OTHER QUALITY CONTROLS ARE USED TO THE EXTENT NATIONAL DEEMS NECESSARY TO SUPPORT NATIONAL'S PRODUCT WARRANTY. EXCEPT WHERE MANDATED BY GOVERNMENT REQUIREMENTS, TESTING OF ALL PARAMETERS OF EACH PRODUCT IS NOT NECESSARILY PERFORMED. NATIONAL ASSUMES NO LIABILITY FOR APPLICATIONS ASSISTANCE OR BUYER PRODUCT DESIGN. BUYERS ARE RESPONSIBLE FOR THEIR PRODUCTS AND APPLICATIONS USING NATIONAL COMPONENTS. PRIOR TO USING OR DISTRIBUTING ANY PRODUCTS THAT INCLUDE NATIONAL COMPONENTS, BUYERS SHOULD PROVIDE ADEQUATE DESIGN, TESTING AND OPERATING SAFEGUARDS.

EXCEPT AS PROVIDED IN NATIONAL'S TERMS AND CONDITIONS OF SALE FOR SUCH PRODUCTS, NATIONAL ASSUMES NO LIABILITY WHATSOEVER, AND NATIONAL DISCLAIMS ANY EXPRESS OR IMPLIED WARRANTY RELATING TO THE SALE AND/OR USE OF NATIONAL PRODUCTS INCLUDING LIABILITY OR WARRANTIES RELATING TO FITNESS FOR A PARTICULAR PURPOSE, MERCHANTABILITY, OR INFRINGEMENT OF ANY PATENT, COPYRIGHT OR OTHER INTELLECTUAL PROPERTY RIGHT.

LIFE SUPPORT POLICY


NATIONAL'S PRODUCTS ARE NOT AUTHORIZED FOR USE AS CRITICAL COMPONENTS IN LIFE SUPPORT DEVICES OR SYSTEMS WITHOUT THE EXPRESS PRIOR WRITTEN APPROVAL OF THE CHIEF EXECUTIVE OFFICER AND GENERAL COUNSEL OF NATIONAL SEMICONDUCTOR CORPORATION. As used herein:

Life support devices or systems are devices which (a) are intended for surgical implant into the body, or (b) support or sustain life and whose failure to perform when properly used in accordance with instructions for use provided in the labeling can be reasonably expected to result in a significant injury to the user. A critical component is any component in a life support device or system whose failure to perform can be reasonably expected to cause the failure of the life support device or system or to affect its safety or effectiveness.

National Semiconductor and the National Semiconductor logo are registered trademarks of National Semiconductor Corporation. All other brand or product names may be trademarks or registered trademarks of their respective holders.

Copyright© 2009 National Semiconductor Corporation

For the most current product information visit us at www.national.com


National Semiconductor
Americas Technical
Support Center
 Email: support@nsc.com
 Tel: 1-800-272-9959

National Semiconductor Europe
Technical Support Center
 Email: europe.support@nsc.com

National Semiconductor Asia
Pacific Technical Support Center
 Email: ap.support@nsc.com

National Semiconductor Japan
Technical Support Center
 Email: jpn.feedback@nsc.com