

# LED EP30-11W6020es

Bulb Class: PAR30

**2700K**  
CCT

## Product Description

**LED EP30-11W6020es** delivers superior brightness, valuable energy savings and long lasting performance. This PAR30 LED Short Neck bulb is ideal for ambient lighting or general purpose applications due to its uniform \*warm white light (2700K) and replaces conventional 75 Watt incandescent light bulbs.



**Estimated Energy Cost:** \$1.32 per year



\*Note: Design, features and specifications subject to change without notice. Some features may not be available on all models. Please visit [www.eurilighting.com](http://www.eurilighting.com) or call 1-310-787-1100 for more information.

## Specifications

| Input Power | Input Voltage     | Lumen Output | Beam Angle    | Center Beam | CCT           |
|-------------|-------------------|--------------|---------------|-------------|---------------|
| 11 W        | 120V              | 850 lm       | 40°           | N/A         | 2700 K        |
| CRI         | Luminous Efficacy | Power Factor | Input Current | Base/Cap    | Lamp Lifespan |
| 80          | 77.3 lm/W         | 0.7          | 0.13 A        | E26         | 25,000 Hrs.   |

### Product Features



Dimmable

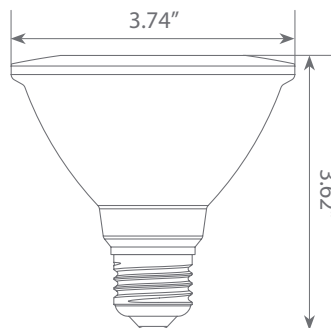


Energy Efficient



Damp Rated

### Product Dimensions



### Product Photometric Data

